

Excellent Integrated System Limited

Stocking Distributor

Click to view price, real time Inventory, Delivery & Lifecycle Information:

[Cinch Connectivity Solutions](#)
[TRM-2053-MC-NNN-02](#)

For any questions, you can email us directly:

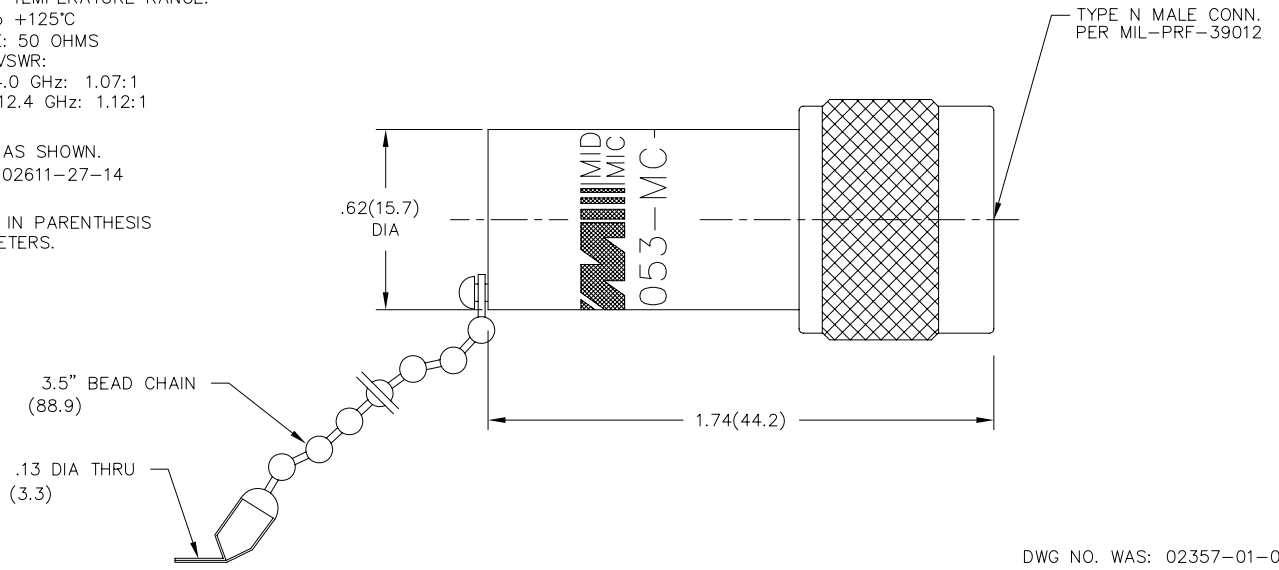
sales@integrated-circuit.com

NOTES:

- 1.0 ELECTRICAL SPECIFICATIONS
- 1.1 FREQUENCY RANGE: DC to 12.4 GHz
- 1.2 MAXIMUM INPUT POWER:
 - AT +25°C: 2 WATTS
 - AT +125°C: 0.5 WATTS
- 1.3 OPERATING TEMPERATURE RANGE:
 - 55°C to +125°C
- 1.4 IMPEDANCE: 50 OHMS
- 1.5 MAXIMUM VSWR:
 - DC to 4.0 GHz: 1.07:1
 - 4.0 to 12.4 GHz: 1.12:1

2.0 MARK UNIT AS SHOWN.
REF.: INK-02611-27-14

3.0 DIMENSIONS IN PARENTHESIS ARE MILLIMETERS.



DWG NO. WAS: 02357-01-00

REV.	DESCRIPTION	DATE
I	RELEASED	3/21/92
A	EOR 6546	6/27/89
A1	REDRAW ON CAD - UPDATE	3/27/92
	MARKING, ADD SPECS.	
B	EON 12868	8/23/93
C	EON 13622	5/16/94
C1	ADDED TITLEBLOCK	10/26/95

UNLESS OTHERWISE NOTED DIMENSIONS ARE IN INCHES AND TOLERANCES ARE: 3 PLACE DECIMALS ±.005 2 PLACE DECIMALS ±.02 FRACTIONS ±1/64 PARALLELITY: T.I.R. _____ FLATNESS: T.I.R. _____ CONCENTRICITY: T.I.R. _____ ANGLES AND PERPENDICULARITY: ±1'	FSCM NO. 34078	MIDWEST MICROWAVE
	NOTICE: The information contained in this drawing is proprietary and must not be used without the permission of Midwest Microwave	
	DRAWN/DATE A.BEATTY 3/27/92	ENG./DATE G.KOZAK 3/30/92
	CHECKED/DATE	APPROVED/DATE
	TITLE TERMINATION	
	DRAWING NUMBER TRM-2053-MC-NNN-02	
	SCALE: 3=1	SHEET 1 of 1

MODEL NUMBER
TRM-2053-MC-NNN-02
REV.
C1