

Excellent Integrated System Limited

Stocking Distributor

Click to view price, real time Inventory, Delivery & Lifecycle Information:

[E-Z-Hook](#)
[XJBLK](#)

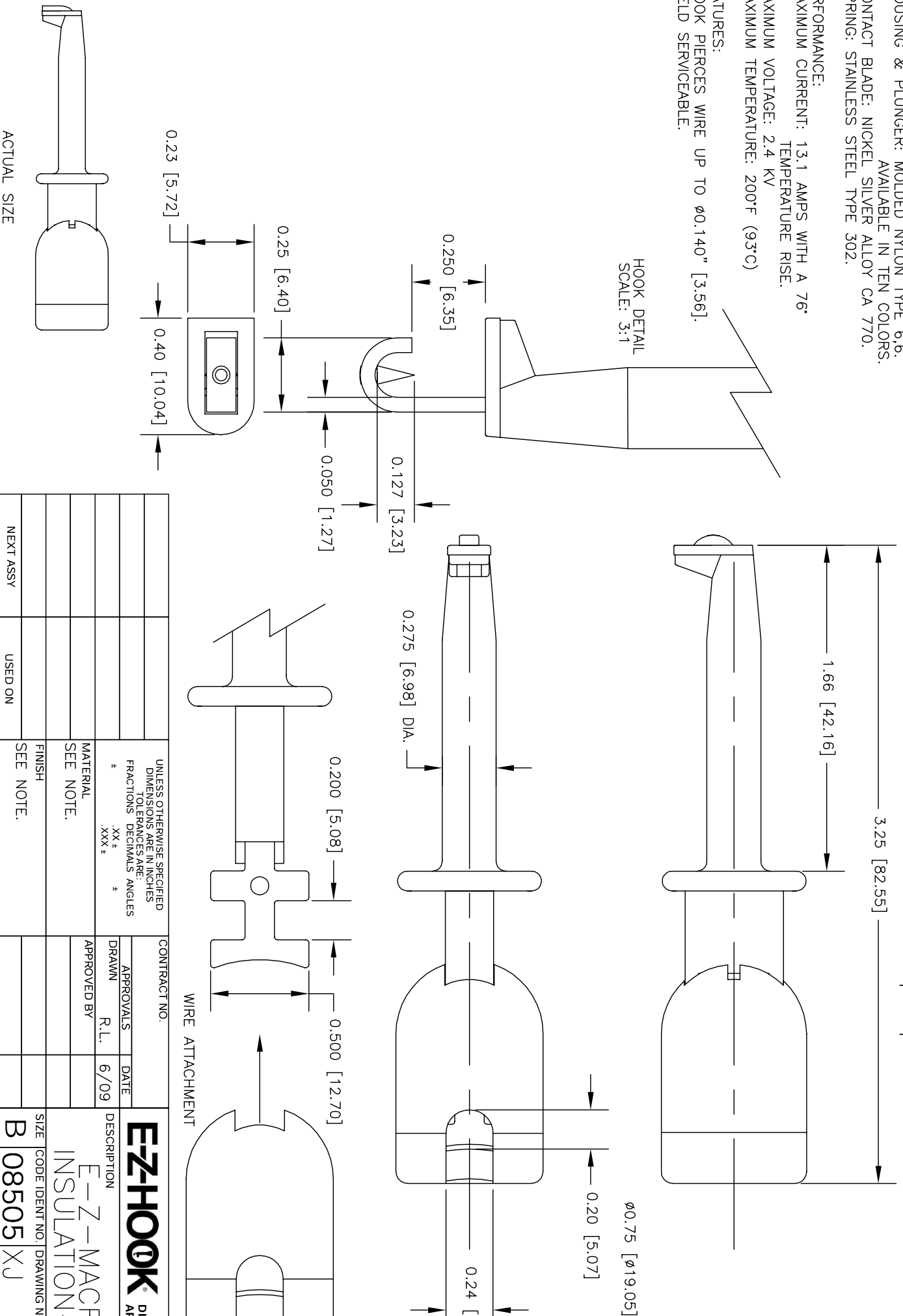
For any questions, you can email us directly:

sales@integrated-circuit.com

NOTES: UNLESS OTHERWISE SPECIFIED

- CONSTRUCTION: HOUSING & PLUNGER: MOLDED NYLON TYPE 6,6. AVAILABLE IN TEN COLORS. CONTACT BLADE: NICKEL SILVER ALLOY CA 770. SPRING: STAINLESS STEEL TYPE 302.
- PERFORMANCE: MAXIMUM CURRENT: 13.1 AMPS WITH A 76° TEMPERATURE RISE. MAXIMUM VOLTAGE: 2.4 KV. MAXIMUM TEMPERATURE: 200°F (93°C)
- FEATURES: HOOK PIERCES WIRE UP TO $\phi 0.140"$ [3.56]. FIELD SERVICEABLE.

HOOK DETAIL
SCALE: 3:1



WIRE ATTACHMENT

UNLESS OTHERWISE SPECIFIED DIMENSIONS ARE IN INCHES FRACTIONS DECIMALS ANGLES		CONTRACT NO.	
.XXX ±		APPROVALS	DATE
MATERIAL SEE NOTE.		R.L.	6/09
FINISH SEE NOTE.		APPROVED BY	
DO NOT SCALE DRAWING		DESCRIPTION	
APPLICATION USED ON		E-Z-HOOK [®] DIV. OF E-Z-HOOK [®] DIV. OF TEKTEST INC.	
NEXT ASSY		SIZE CODE IDENT NO. DRAWING NO.	
		B 08505 XJ	
		SCALE 2:1	

THE INFORMATION CONTAINED IN THIS DOCUMENT IS PROPRIETARY TO E-Z-HOOK. THE INFORMATION IS NOT TO BE REPRODUCED WITHOUT PRIOR WRITTEN PERMISSION OF E-Z-HOOK. DIV. OF TEKTEST INC. MAXIMUM TESTED RATINGS IN A HANDS-FREE CONTROLLED ENVIRONMENT. MAXIMUM RATINGS ARE NOT TO BE USED CONCURRENTLY.

LTR	DESCRIPTION	REVISIONS