

Excellent Integrated System Limited

Stocking Distributor

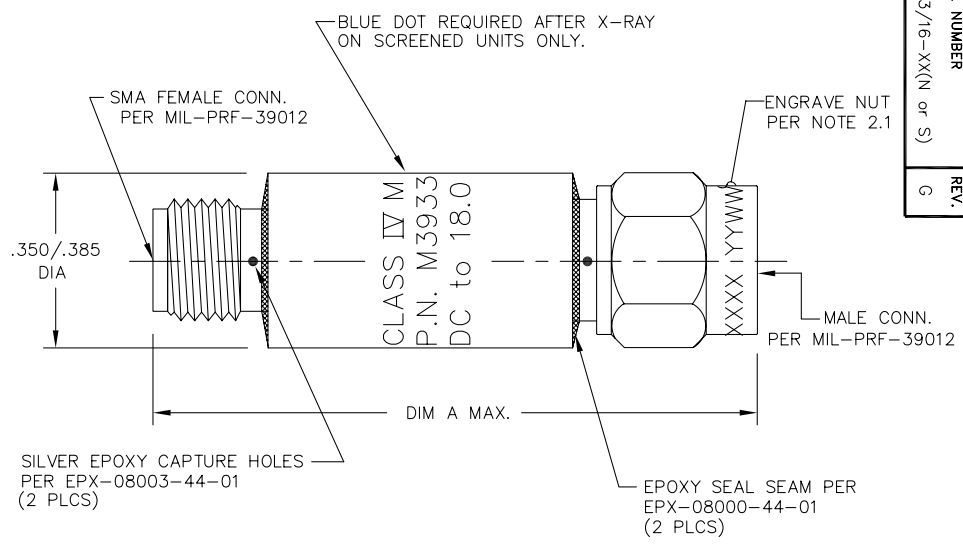
Click to view price, real time Inventory, Delivery & Lifecycle Information:

[Bel Fuse Inc.](#)
[M3933/16-52S](#)

For any questions, you can email us directly:
sales@integrated-circuit.com

- NOTES:
- 1.0 SPECIFICATIONS:
 - 1.1 FREQUENCY RANGE: DC to 18.0 GHz
 - 1.2 IMPEDANCE: 50 OHMS NOMINAL
 - 1.3 VSWR MAX.:
 - DC to 4.0 GHz: 1.15:1
 - 4.0 to 8.0 GHz: 1.20:1
 - 8.0 to 12.4 GHz: 1.25:1
 - 12.4 to 18.0 GHz: 1.35:1
 - 1.4 ATTENUATION & ACCURACY: SEE TABLE
 - 1.5 MAXIMUM INPUT POWER
 - 1.5.1 2 WATTS AVG. AT +25°C DERATED LINEARLY TO 0.5 WATTS AT +125°C
 - 1.5.2 500 WATTS PEAK
 - 1.6 OPERATING TEMP. RANGE: -55°C to +125°C
 - 2.0 MARKING:
 - 2.1 ENGRAVE SERIAL NO. AND DATE CODE ON NUT AS SHOWN.
 - 2.2 MARK BODY AS SHOWN.
 (REF.: INK-09003-27-XX) FOR SCREENED.
 (REF.: INK-09004-27-XX) FOR NON-SCREENED.
 - 3.0 TESTING:

TEST IN CONJUNCTION WITH
 ATP-07839-60-01 FOR SCREENED UNITS.
 ATP-09210-60-01 FOR NON-SCREENED UNITS.



- 4.0 BAG MARKING:

SEE MODEL NO.
 MODEL M3933/16-XX
 ATTENUATOR FIXED COAXIAL LINE
 2 WATTS AVERAGE INPUT POWER
 FREQ. RANGE: DC-18.0 GHz
 MFR 34078
 LOT NO. _____
 DATE CODE: YYWW
 YEAR & WEEK

4.1 SERIAL NUMBERS MUST BE MARKED ON BAGS OR TEST DATA POSITIONED IN BAG SO THAT SERIAL NUMBERS CAN BE EASILY READ.

| REV. | DESCRIPTION | DATE |
|------|-------------|----------|
| I | RELEASED | 12/11/91 |
| A | ECN 11851 | 5/22/92 |
| B | ECN 12999 | 10/5/93 |
| C | ECN 13483 | 4/8/94 |
| D | ECN 14231 | 1/16/95 |
| E | ECN 16867 | 2/3/99 |
| F | ECN 18867 | 12/12/02 |
| G | ECN 20266 | 1/6/05 |

| | | | | |
|--|--|---|---------------------------------------|--------------|
| UNLESS OTHERWISE NOTED DIMENSIONS ARE IN INCHES AND TOLERANCES ARE: | FORM NO. | 34078 | MIDWEST MICROWAVE | |
| | 3 PLACE DECIMALS ±.005 2 PLACE DECIMALS ±.02 FRACTIONS ±1/64 | NOTICE: The information contained in this drawing is proprietary and must not be used without the permission of Midwest Microwave | | |
| PARALLELITY: T.I.R. _____ FLATNESS: T.I.R. _____ CONCENTRICITY: T.I.R. _____ ANGLES AND PERPENDICULARITY: ±1° | DRAWN/DATE A.BEATTY 12/10/91 | | ENG./DATE G.KOZAK 12/11/91 | |
| | CHECKED/DATE A.BEATTY 12/12/91 | | APPROVED/DATE T.GORDON 12/11/91 | |
| | DRAWING NUMBER M3933/16-XX(N or S) | | SCALE: 5=1 | SHEET 1 of 2 |

| MMI MODEL NO. | ATTEN (dB) | DEVIATION | DIM A MAX. | WEIGHT (Oz. MAX.) |
|---------------|------------|-----------|------------|-------------------|
| | | DC-18 GHz | | |
| M3933/16-01 | 3 | ±0.3 | 1.24 | 0.5 |
| M3933/16-02 | 6 | ±0.3 | 1.24 | 0.5 |
| M3933/16-03 | 10 | ±0.5 | 1.24 | 0.5 |
| M3933/16-04 | 20 | ±0.7 | 1.24 | 0.5 |
| M3933/16-05 | 1 | ±0.4 | 1.24 | 0.5 |
| M3933/16-06 | 2 | ±0.4 | 1.24 | 0.5 |
| M3933/16-07 | 4 | ±0.3 | 1.24 | 0.5 |
| M3933/16-08 | 5 | ±0.3 | 1.24 | 0.5 |
| M3933/16-09 | 7 | ±0.5 | 1.24 | 0.5 |
| M3933/16-10 | 8 | ±0.5 | 1.24 | 0.5 |
| M3933/16-11 | 9 | ±0.5 | 1.24 | 0.5 |
| M3933/16-12 | 30 | ±1.0 | 1.85 | 0.8 |
| M3933/16-13 | 40 | ±1.0 | 1.85 | 0.8 |
| M3933/16-16 | 0 | ±0.4 | 1.24 | 0.5 |
| M3933/16-17 | 0.5 | ±0.4 | 1.24 | 0.5 |
| M3933/16-18 | 1.5 | ±0.4 | 1.24 | 0.5 |
| M3933/16-19 | 2.5 | ±0.4 | 1.24 | 0.5 |
| M3933/16-20 | 3.5 | ±0.3 | 1.24 | 0.5 |
| M3933/16-21 | 4.5 | ±0.3 | 1.24 | 0.5 |
| M3933/16-22 | 5.5 | ±0.3 | 1.24 | 0.5 |
| M3933/16-23 | 6.5 | ±0.3 | 1.24 | 0.5 |
| M3933/16-24 | 7.5 | ±0.5 | 1.24 | 0.5 |
| M3933/16-25 | 8.5 | ±0.5 | 1.24 | 0.5 |
| M3933/16-26 | 9.5 | ±0.5 | 1.24 | 0.5 |
| M3933/16-27 | 10.5 | ±0.5 | 1.24 | 0.5 |
| M3933/16-28 | 11 | ±0.5 | 1.24 | 0.5 |
| M3933/16-29 | 11.5 | ±0.5 | 1.24 | 0.5 |
| M3933/16-30 | 12 | ±0.5 | 1.24 | 0.5 |
| M3933/16-31 | 12.5 | ±0.5 | 1.24 | 0.5 |

| MMI MODEL NO. | ATTEN (dB) | DEVIATION | DIM A MAX. | WEIGHT (Oz. MAX.) |
|---------------|------------|-----------|------------|-------------------|
| | | DC-18 GHz | | |
| M3933/16-32 | 13 | ±0.5 | 1.24 | 0.5 |
| M3933/16-33 | 13.5 | ±0.5 | 1.24 | 0.5 |
| M3933/16-34 | 14 | ±0.5 | 1.24 | 0.5 |
| M3933/16-35 | 14.5 | ±0.5 | 1.24 | 0.5 |
| M3933/16-36 | 15 | ±0.5 | 1.24 | 0.5 |
| M3933/16-37 | 15.5 | ±0.5 | 1.24 | 0.5 |
| M3933/16-38 | 16 | ±0.7 | 1.24 | 0.5 |
| M3933/16-39 | 16.5 | ±0.7 | 1.24 | 0.5 |
| M3933/16-40 | 17 | ±0.7 | 1.24 | 0.5 |
| M3933/16-41 | 17.5 | ±0.7 | 1.24 | 0.5 |
| M3933/16-42 | 18 | ±0.7 | 1.24 | 0.5 |
| M3933/16-43 | 18.5 | ±0.7 | 1.24 | 0.5 |
| M3933/16-44 | 19 | ±0.7 | 1.24 | 0.5 |
| M3933/16-45 | 19.5 | ±0.7 | 1.24 | 0.5 |
| M3933/16-46 | 20.5 | ±0.7 | 1.24 | 0.5 |
| M3933/16-47 | 21 | ±0.7 | 1.24 | 0.5 |
| M3933/16-48 | 21.5 | ±0.7 | 1.24 | 0.5 |
| M3933/16-49 | 22 | ±0.7 | 1.24 | 0.5 |
| M3933/16-50 | 22.5 | ±0.7 | 1.24 | 0.5 |
| M3933/16-51 | 23 | ±0.7 | 1.24 | 0.5 |
| M3933/16-52 | 23.5 | ±0.7 | 1.24 | 0.5 |
| M3933/16-53 | 24 | ±0.7 | 1.24 | 0.5 |
| M3933/16-54 | 24.5 | ±0.7 | 1.24 | 0.5 |
| M3933/16-55 | 25 | ±0.7 | 1.24 | 0.5 |
| M3933/16-56 | 28 | ±0.7 | 1.24 | 0.7 |
| M3933/16-57 | 32 | ±1.0 | 1.85 | 0.8 |
| M3933/16-58 | 36 | ±1.0 | 1.85 | 0.8 |
| M3933/16-59 | 44 | ±1.0 | 1.85 | 0.8 |
| M3933/16-60 | 45 | ±1.0 | 1.85 | 0.8 |

| | |
|-------------|----------|
| DATE | 1/6/05 |
| DESCRIPTION | RELEASED |
| REV. | 1 |

| | | |
|---|---|---------------------------------------|
| UNLESS OTHERWISE NOTED DIMENSIONS ARE IN INCHES AND TOLERANCES ARE: 3 PLACE DECIMALS ±.005 2 PLACE DECIMALS ±.02 FRACTIONS ±1/64 PARALLELITY: T.I.R. _____ FLATNESS: T.I.R. _____ CONCENTRICITY: T.I.R. _____ ANGLES AND PERPENDICULARITY: ±1° | FSCM NO. 34078 | MIDWEST MICROWAVE |
| | NOTICE: The information contained in this drawing is proprietary and must not be used without the permission of Midwest Microwave | |
| TITLE ATTENUATOR | | DRAWING NUMBER M3933/16-XX(N or S) |
| DRAWN/DATE A.BEATTY 12/10/91 | | ENG/DATE G.KOZAK 12/11/91 |
| CHECKED/DATE A.BEATTY 12/12/91 | | APPROVED/DATE T.GORDON 12/11/91 |
| SCALE: 5=1 | | SHEET 2 of 2 |