

Excellent Integrated System Limited

Stocking Distributor

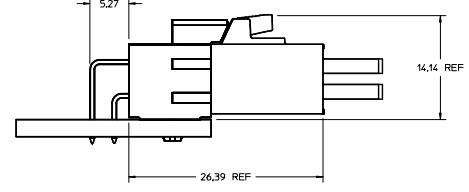
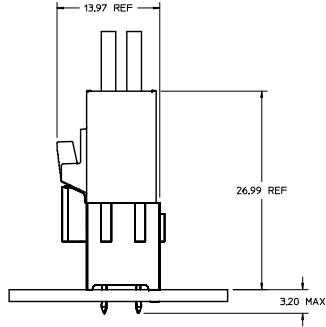
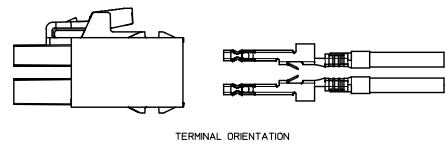
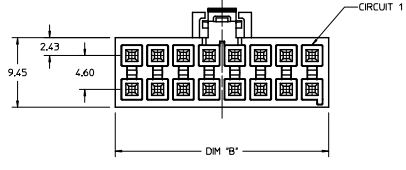
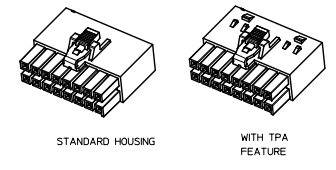
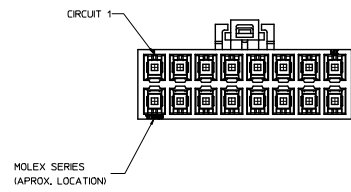
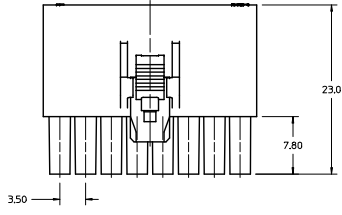
Click to view price, real time Inventory, Delivery & Lifecycle Information:

[Molex Connector Corporation](#)
[1722581108](#)

For any questions, you can email us directly:

sales@integrated-circuit.com

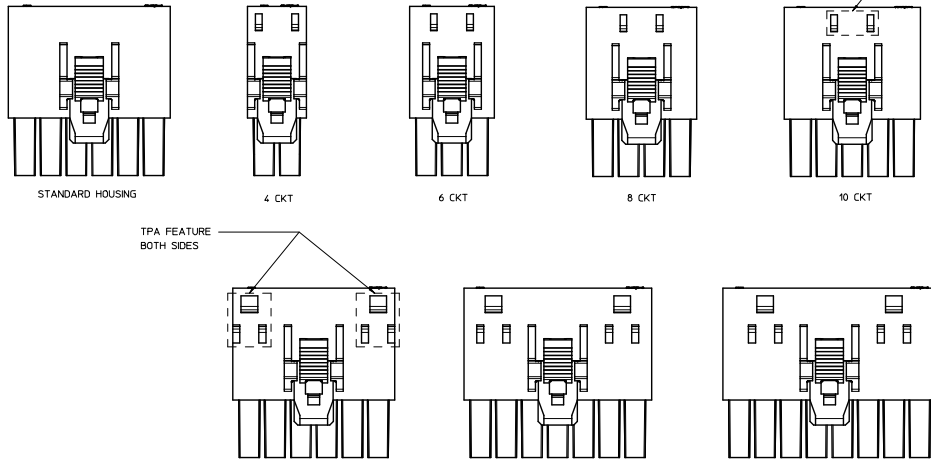
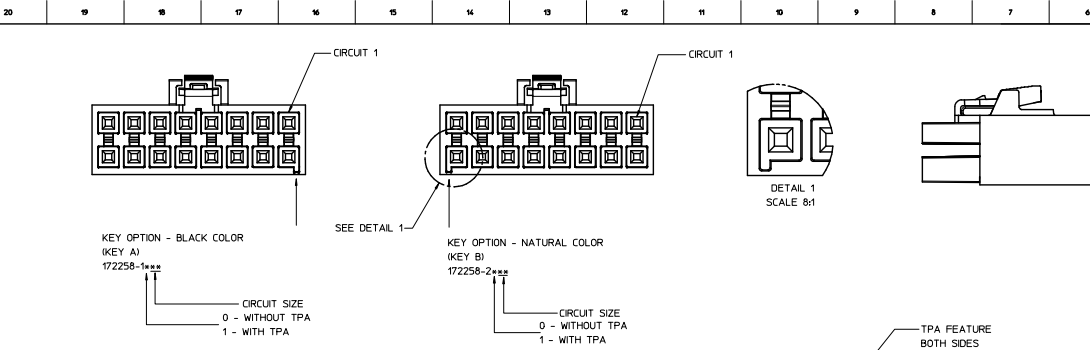
20 19 18 17 16 15 14 13 12 11 10 9 8 7 6 5 4 3 2 1



- NOTES:
- MATERIAL :
OPTION 1: PA4T NYLON V-0 BLACK
OPTION 2: PA4T NYLON V-0 NATURAL
 - PARTS TO BE PACKAGED PER PK-172323-0010
 - PRODUCT SPECIFICATION PS-172323-0001
 - PART MATES WITH MOLEX R/A HEADER ASSEMBLY 172316 AND VERTICAL HEADER ASSEMBLY 172298, 172299 SERIES.
 - TO USE WITH TERMINAL 172253 SERIES
 - TO USE WITH 172264 TPA
 - PARTS CONFORM TO CLASS 'B' REQUIREMENTS OF COSMETIC SPECIFICATION PS-45499-002
 - APPLICATION SPECIFICATION: AS-172323-0001

X-RELEASE EC NO. LUP2015-403 DRAWN/DROSLA CHKD: APPR/PHOGE 2015/01/15 2015/01/15 A6	QUALITY SYMBOLS	GENERAL TOLERANCES (UNLESS SPECIFIED)	DRWNSLA	DATE	TITLE	SCALE	DESIGN UNITS	THIRD ANGLE PROJECTION	
	$\nabla=0$ $\nabla=0$ $\nabla=0$	4 PLACES ±--- ±--- 3 PLACES ±--- ±--- 2 PLACES ±0.25 ±--- 1 PLACE ±0.5 ±--- 0 PLACE ±--- ±---	DIMENSION STYLE MM ONLY	DRAWN BY 2014/03/07	DATE 2014/03/07	ULTRA-FIT RECEPTACLE 4-16 CKTS DUAL ROW	4:1	METRIC	THIRD ANGLE PROJECTION
	ANGULAR ±1/2° DRAFT WHERE APPLICABLE MUST REMAIN WITHIN DIMENSIONS	MATERIAL NO. SEE CHART	APPROVED BY RHOGE DATE 2014/10/14	DOCUMENT NO. SD-172258-0001	SHEET NO. 1 OF 2				
	THIS DRAWING CONTAINS INFORMATION THAT IS PROPRIETARY TO MOLEX INCORPORATED AND SHOULD NOT BE USED WITHOUT WRITTEN PERMISSION								

19 18 17 16 15 14 13 12 11 10 9 8 7 6 5 4 3 2 1



STANDARD HOUSING				
PART NO.	UL	COLOR	CIRCUIT SIZE	KEY OPTION
172258-1004	V-0	BLACK	4	KEY A
172258-1006	V-0	BLACK	6	KEY A
172258-1008	V-0	BLACK	8	KEY A
172258-1010	V-0	BLACK	10	KEY A
172258-1012	V-0	BLACK	12	KEY A
172258-1014	V-0	BLACK	14	KEY A
172258-1016	V-0	BLACK	16	KEY A
172258-2004	V-0	NATURAL	4	KEY B
172258-2006	V-0	NATURAL	6	KEY B
172258-2008	V-0	NATURAL	8	KEY B
172258-2010	V-0	NATURAL	10	KEY B
172258-2012	V-0	NATURAL	12	KEY B
172258-2014	V-0	NATURAL	14	KEY B
172258-2016	V-0	NATURAL	16	KEY B

WITH TPA ATTACH FEATURE				
PART NO.	UL	COLOR	CIRCUIT SIZE	KEY OPTION
172258-1104	V-0	BLACK	4	KEY A
172258-1106	V-0	BLACK	6	KEY A
172258-1108	V-0	BLACK	8	KEY A
172258-1110	V-0	BLACK	10	KEY A
172258-1112	V-0	BLACK	12	KEY A
172258-1114	V-0	NATURAL	14	KEY A
172258-1116	V-0	BLACK	16	KEY A
172258-2104	V-0	NATURAL	4	KEY B
172258-2106	V-0	NATURAL	6	KEY B
172258-2108	V-0	NATURAL	8	KEY B
172258-2110	V-0	NATURAL	10	KEY B
172258-2112	V-0	NATURAL	12	KEY B
172258-2114	V-0	NATURAL	14	KEY B
172258-2116	V-0	NATURAL	16	KEY B

TPA LATCH OPTION

<p>SEE PAGE 1 EC NO. UC2705-403 DRAWN/DROSLA 2015/01/14 CHKD. RHODGE APPROVED BY DATE 2015/01/15</p>	QUALITY SYMBOLS	GENERAL TOLERANCES (UNLESS SPECIFIED)	DIMENSION STYLE	SCALE	DESIGN UNITS	THIRD ANGLE PROJECTION
	<p>∇=0 ∇=0 ∇=0</p>	<p>mm INCH 4 PLACES ±--- ±--- 3 PLACES ±--- ±--- 2 PLACES ±0.25 ±--- 1 PLACE ±0.5 ±--- 0 PLACE ±--- ±---</p>	<p>MM ONLY</p>	<p>4:1</p>	<p>METRIC</p>	<p>ISO</p>
	<p>DATE 2014/03/07 DATE 2014/10/14</p>	<p>DATE 2014/03/07 DATE 2014/10/14</p>	<p>DRAWN BY DROSLA CHECKED BY APPROVED BY RHODGE</p>	<p>DATE 2014/03/07 DATE 2014/10/14</p>	<p>TITLE ULTRA-FIT RECEPTACLE 4-16 CKTS DUAL ROW</p>	<p>DOCUMENT NO. molex</p>
	<p>SIZE D</p>	<p>ANGULAR ±1/2° DRAFT WHERE APPLICABLE MUST REMAIN WITHIN DIMENSIONS</p>	<p>MATERIAL NO.</p>	<p>DATE 2014/10/14</p>	<p>DOCUMENT NO. SD-172258-0001</p>	<p>SHEET NO. 2 OF 2</p>