

Excellent Integrated System Limited

Stocking Distributor

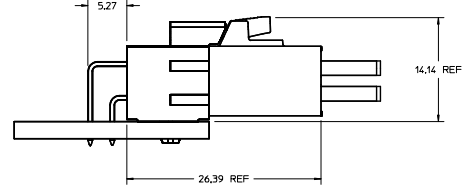
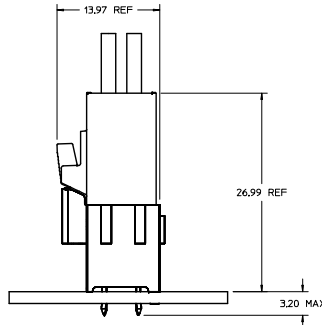
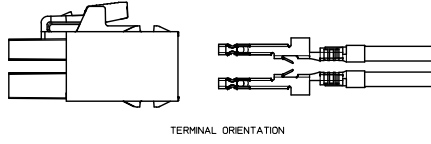
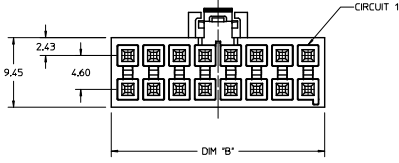
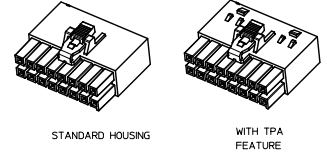
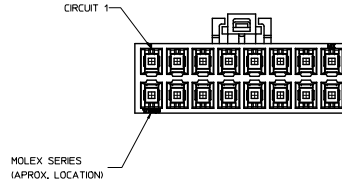
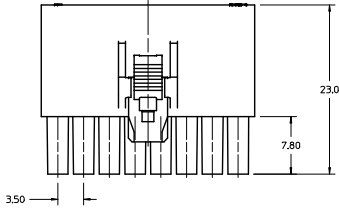
Click to view price, real time Inventory, Delivery & Lifecycle Information:

[Molex Connector Corporation](#)
[1722582104](#)

For any questions, you can email us directly:

sales@integrated-circuit.com

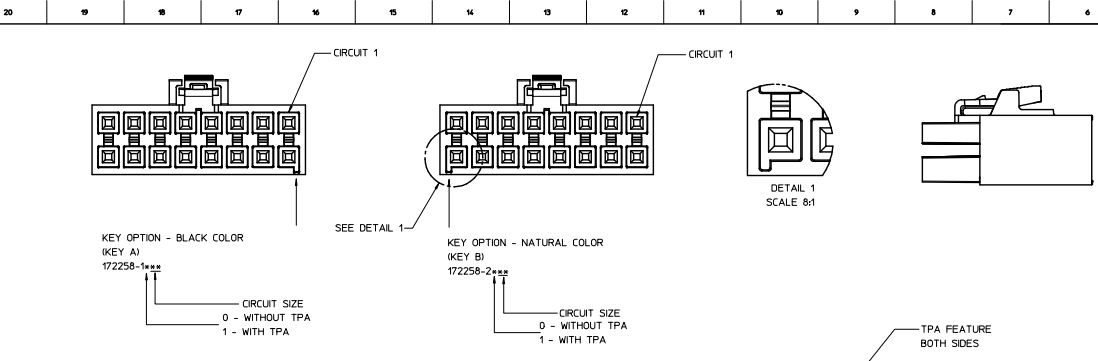
20 19 18 17 16 15 14 13 12 11 10 9 8 7 6 5 4 3 2 1



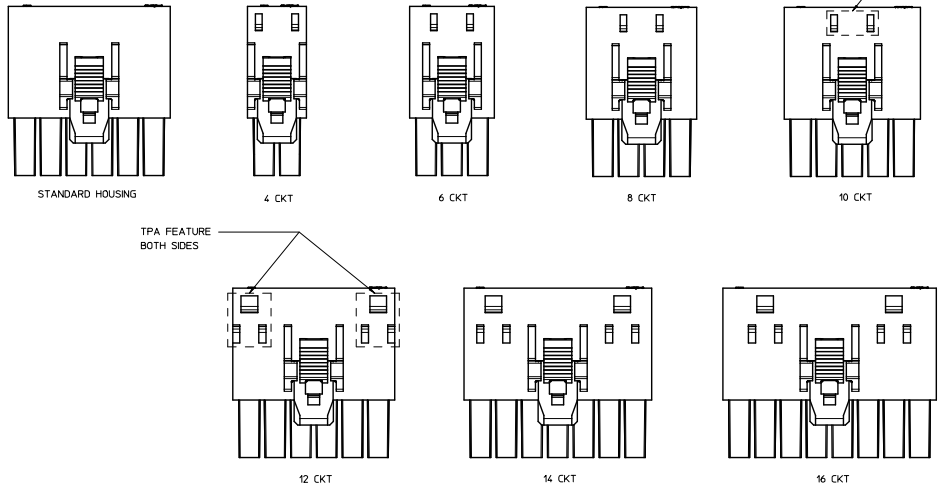
NOTES:

1. MATERIAL :
OPTION 1: PA4T NYLON V-0 BLACK
OPTION 2: PA4T NYLON V-0 NATURAL
2. PARTS TO BE PACKAGED PER PK-172323-0010
3. PRODUCT SPECIFICATION PS-172323-0001
4. PART MATES WITH MOLEX R/A HEADER ASSEMBLY 172316 AND VERTICAL HEADER ASSEMBLY 172298, 172299 SERIES.
5. TO USE WITH TERMINAL 172253 SERIES
6. TO USE WITH 172264 TPA
7. PARTS CONFORM TO CLASS 'B' REQUIREMENTS OF COSMETIC SPECIFICATION PS-45499-002
8. APPLICATION SPECIFICATION: AS-172323-0001

| | | | | | | | |
|--|---|---|---|--------------------------------|------------------------|------------------------|--|
| X-RELEASE EC DECLARATION DRAWING/ROSCA CHECKED APPROVED A6 REV | QUALITY SYMBOLS ∇=0 ∇=0 ∇=0 | GENERAL TOLERANCES (UNLESS SPECIFIED) 4 PLACES ±--- ±--- 3 PLACES ±--- ±--- 2 PLACES ±0.25 ±--- 1 PLACE ±0.5 ±--- 0 PLACE ±--- ±--- ANGULAR ±1/2° DRAFT WHERE APPLICABLE MUST REMAIN WITHIN DIMENSIONS | DIMENSION STYLE MM ONLY | SCALE 4:1 | DESIGN UNITS METRIC | THIRD ANGLE PROJECTION | |
| | DRAWN BY DROSLA | DATE 2014/03/07 | TITLE ULTRA-FIT RECEPTACLE 4-16 CKTS DUAL ROW | | | | |
| | CHECKED BY RHOJGE | DATE 2014/10/14 | MATERIAL NO. SEE CHART | DOCUMENT NO. SD-172258-0001 | | | |
| | THIS DRAWING CONTAINS INFORMATION THAT IS PROPRIETARY TO MOLEX INCORPORATED AND SHOULD NOT BE USED WITHOUT WRITTEN PERMISSION | | | | | | |



| STANDARD HOUSING | | | | |
|------------------|-----|---------|--------------|------------|
| PART NO. | UL | COLOR | CIRCUIT SIZE | KEY OPTION |
| 172258-1004 | V-0 | BLACK | 4 | KEY A |
| 172258-1006 | V-0 | BLACK | 6 | KEY A |
| 172258-1008 | V-0 | BLACK | 8 | KEY A |
| 172258-1010 | V-0 | BLACK | 10 | KEY A |
| 172258-1012 | V-0 | BLACK | 12 | KEY A |
| 172258-1014 | V-0 | BLACK | 14 | KEY A |
| 172258-1016 | V-0 | BLACK | 16 | KEY A |
| 172258-2004 | V-0 | NATURAL | 4 | KEY B |
| 172258-2006 | V-0 | NATURAL | 6 | KEY B |
| 172258-2008 | V-0 | NATURAL | 8 | KEY B |
| 172258-2010 | V-0 | NATURAL | 10 | KEY B |
| 172258-2012 | V-0 | NATURAL | 12 | KEY B |
| 172258-2014 | V-0 | NATURAL | 14 | KEY B |
| 172258-2016 | V-0 | NATURAL | 16 | KEY B |



| WITH TPA ATTACH FEATURE | | | | |
|-------------------------|-----|---------|--------------|------------|
| PART NO. | UL | COLOR | CIRCUIT SIZE | KEY OPTION |
| 172258-1104 | V-0 | BLACK | 4 | KEY A |
| 172258-1106 | V-0 | BLACK | 6 | KEY A |
| 172258-1108 | V-0 | BLACK | 8 | KEY A |
| 172258-1110 | V-0 | BLACK | 10 | KEY A |
| 172258-1112 | V-0 | BLACK | 12 | KEY A |
| 172258-1114 | V-0 | NATURAL | 14 | KEY B |
| 172258-1116 | V-0 | BLACK | 16 | KEY A |
| 172258-2104 | V-0 | NATURAL | 4 | KEY B |
| 172258-2106 | V-0 | NATURAL | 6 | KEY B |
| 172258-2108 | V-0 | NATURAL | 8 | KEY B |
| 172258-2110 | V-0 | NATURAL | 10 | KEY B |
| 172258-2112 | V-0 | NATURAL | 12 | KEY B |
| 172258-2114 | V-0 | NATURAL | 14 | KEY B |
| 172258-2116 | V-0 | NATURAL | 16 | KEY B |

TPA LATCH OPTION

| | | | | | | |
|---|---|---|--|--|--|---|
| SEE PAGE 1 EC NO. UC2705-403 DRAWN/DROSLA 2015/01/14 CHCK. RHODGE APPROVED BY A6 REV. | QUALITY SYMBOLS ∇=0 ∇=0 ∇=0 | GENERAL TOLERANCES (UNLESS SPECIFIED) 4 PLACES ±--- ±--- 3 PLACES ±--- ±--- 2 PLACES ±0.25 ±--- 1 PLACE ±0.5 ±--- 0 PLACE ±--- ±--- ANGULAR ±1/2° DRAFT WHERE APPLICABLE MUST REMAIN WITHIN DIMENSIONS | DIMENSION STYLE MM ONLY DRAWN BY DATE DROSLA 2014/03/07 CHECKED BY DATE APPROVED BY DATE RHODGE 2014/10/14 MATERIAL NO. | SCALE 4:1 DESIGN UNITS METRIC THIRD ANGLE PROJECTION | TITLE ULTRA-FIT RECEPTACLE 4-16 CKTS DUAL ROW molex | DOCUMENT NO. SD-172258-0001 SHEET NO. 2 OF 2 |
| | SEE PAGE 1 THIS DRAWING CONTAINS INFORMATION THAT IS PROPRIETARY TO MOLEX INCORPORATED AND SHOULD NOT BE USED WITHOUT WRITTEN PERMISSION | | | | | |
| | 15:Frame_0_P_Alt.T Rev. 5 2015/01/14 | | | | | |
| | 15:Frame_0_P_Alt.T Rev. 5 2015/01/14 | | | | | |