

Excellent Integrated System Limited

Stocking Distributor

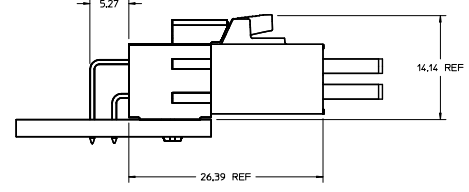
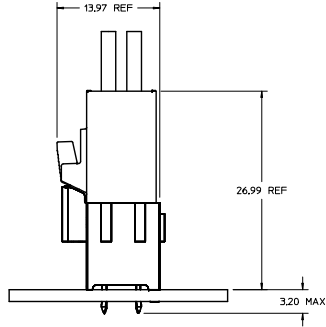
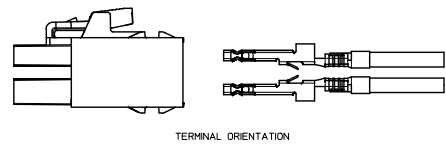
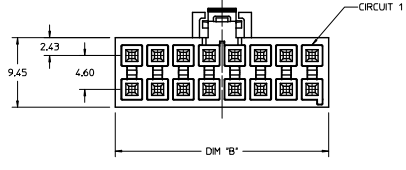
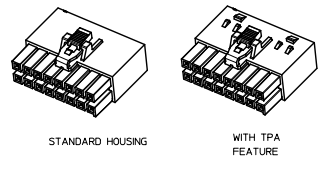
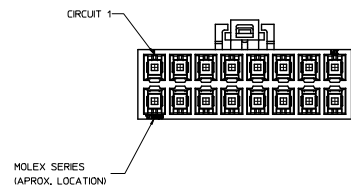
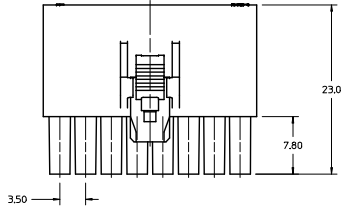
Click to view price, real time Inventory, Delivery & Lifecycle Information:

[Molex Connector Corporation](#)
[1722582110](#)

For any questions, you can email us directly:

sales@integrated-circuit.com

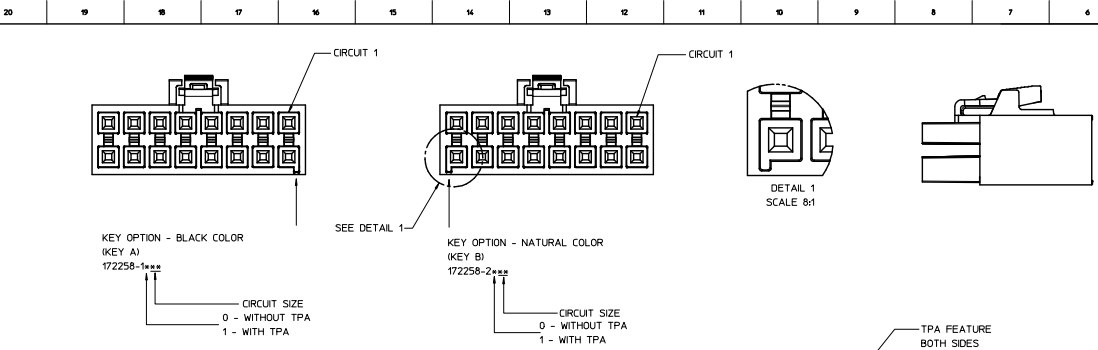
20 19 18 17 16 15 14 13 12 11 10 9 8 7 6 5 4 3 2 1



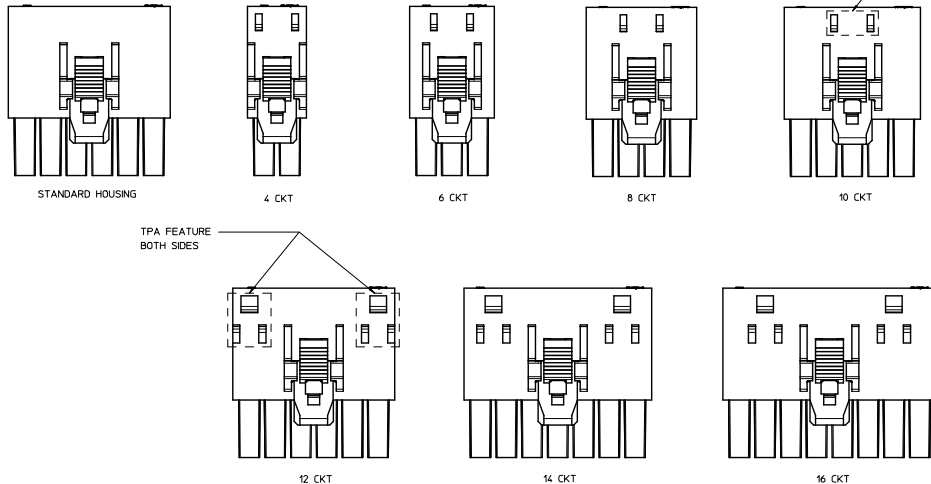
- NOTES:
- MATERIAL :
OPTION 1: PA4T NYLON V-0 BLACK
OPTION 2: PA4T NYLON V-0 NATURAL
 - PARTS TO BE PACKAGED PER PK-172323-0010
 - PRODUCT SPECIFICATION PS-172323-0001
 - PART MATES WITH MOLEX R/A HEADER ASSEMBLY 172316 AND VERTICAL HEADER ASSEMBLY 172298, 172299 SERIES.
 - TO USE WITH TERMINAL 172253 SERIES
 - TO USE WITH 172264 TPA
 - PARTS CONFORM TO CLASS 'B' REQUIREMENTS OF COSMETIC SPECIFICATION PS-45499-002
 - APPLICATION SPECIFICATION: AS-172323-0001

X-RELEASE EC NO. LUP2015-403 DRINKWATER CHICK APPROVED A6 REF	QUALITY SYMBOLS ∇=0 ∇=0 ∇=0	GENERAL TOLERANCES (UNLESS SPECIFIED) 4 PLACES ±--- ±--- 3 PLACES ±--- ±--- 2 PLACES ±0.25 ±--- 1 PLACE ±0.5 ±--- 0 PLACE ±--- ±--- ANGULAR ±1/2° DRAFT WHERE APPLICABLE MUST REMAIN WITHIN DIMENSIONS	DIMENSION STYLE MM ONLY DRAWN BY DROSLA CHECKED BY APPROVED BY RHOJGE MATERIAL NO. SEE CHART SIZE D	DATE 2014/03/07 DATE DATE 2014/10/14 DOCUMENT NO. SD-172258-0001	SCALE 4:1 DESIGN UNITS METRIC THIRD ANGLE PROJECTION ULTRA-FIT RECEPTACLE 4-16 CKTS DUAL ROW molex	SHEET NO. 1 OF 2
	2015/01/15 2015/01/15					

IS:Frame_0_P_Alt.T Rev. 5 2015/01/15



STANDARD HOUSING					
PART NO.	UL	COLOR	CIRCUIT SIZE	KEY OPTION	DM B
172258-1004	V-0	BLACK	4	KEY A	8.00
172258-1006	V-0	BLACK	6	KEY A	11.50
172258-1008	V-0	BLACK	8	KEY A	15.00
172258-1010	V-0	BLACK	10	KEY A	18.50
172258-1012	V-0	BLACK	12	KEY A	22.00
172258-1014	V-0	BLACK	14	KEY A	25.50
172258-1016	V-0	BLACK	16	KEY A	29.00
172258-2004	V-0	NATURAL	4	KEY B	8.00
172258-2006	V-0	NATURAL	6	KEY B	11.50
172258-2008	V-0	NATURAL	8	KEY B	15.00
172258-2010	V-0	NATURAL	10	KEY B	18.50
172258-2012	V-0	NATURAL	12	KEY B	22.00
172258-2014	V-0	NATURAL	14	KEY B	25.50
172258-2016	V-0	NATURAL	16	KEY B	29.00



WITH TPA ATTACH FEATURE					
PART NO.	UL	COLOR	CIRCUIT SIZE	KEY OPTION	DM B
172258-1104	V-0	BLACK	4	KEY A	8.00
172258-1106	V-0	BLACK	6	KEY A	11.50
172258-1108	V-0	BLACK	8	KEY A	15.00
172258-1110	V-0	BLACK	10	KEY A	18.50
172258-1112	V-0	BLACK	12	KEY A	22.00
172258-1114	V-0	NATURAL	14	KEY A	25.50
172258-1116	V-0	BLACK	16	KEY A	29.00
172258-2104	V-0	NATURAL	4	KEY B	8.00
172258-2106	V-0	NATURAL	6	KEY B	11.50
172258-2108	V-0	NATURAL	8	KEY B	15.00
172258-2110	V-0	NATURAL	10	KEY B	18.50
172258-2112	V-0	NATURAL	12	KEY B	22.00
172258-2114	V-0	NATURAL	14	KEY B	25.50
172258-2116	V-0	NATURAL	16	KEY B	29.00



SEE PAGE 1 EC NO. UC2705-403 DRAWN/DROSLA 2015/01/14 CHCK. RHODGE APPROVED BY 2015/01/15 A6	QUALITY SYMBOLS ∇=0 ∇=0 ∇=0	GENERAL TOLERANCES (UNLESS SPECIFIED) 4 PLACES ±--- ±--- 3 PLACES ±--- ±--- 2 PLACES ±0.25 ±--- 1 PLACE ±0.5 ±--- 0 PLACE ±--- ±--- ANGULAR ±1/2° DRAFT WHERE APPLICABLE MUST REMAIN WITHIN DIMENSIONS	DIMENSION STYLE MM ONLY DRAWN BY DATE DROSLA 2014/03/07 CHECKED BY DATE APPROVED BY DATE RHODGE 2014/10/14 MATERIAL NO.	SCALE 4:1 DESIGN UNITS METRIC THIRD ANGLE PROJECTION	TITLE ULTRA-FIT RECEPTACLE 4-16 CKTS DUAL ROW molex	DOCUMENT NO. SD-172258-0001 SHEET NO. 2 OF 2
	SEE PAGE 1					
	THIS DRAWING CONTAINS INFORMATION THAT IS PROPRIETARY TO MOLEX INCORPORATED AND SHOULD NOT BE USED WITHOUT WRITTEN PERMISSION					
	15:Frame_0_P_Alt.T Rev. 5 2015/01/11					