



Distributor of TE Connectivity AMP Connectors: Excellent Integrated System Limited
Datasheet of 786073-1 - D-Sub Connector Receptacle, Female Sockets 26 Position Through
Hole Solder

Contact us: sales@integrated-circuit.com Website: www.integrated-circuit.com

Excellent Integrated System Limited

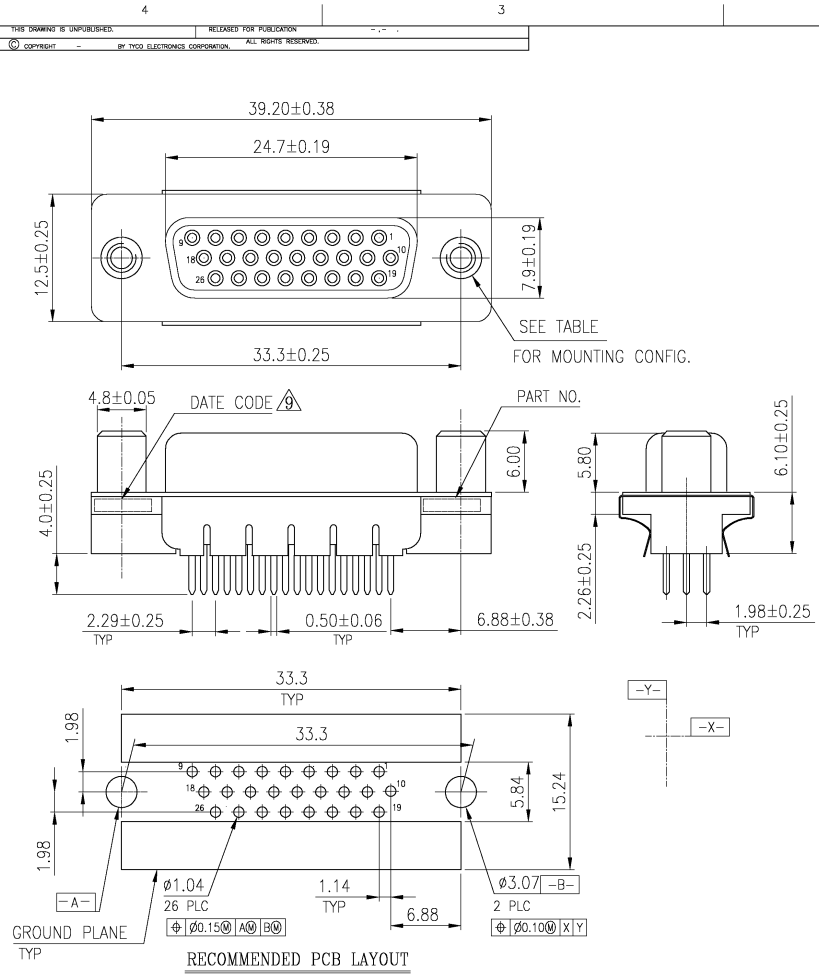
Stocking Distributor

Click to view price, real time Inventory, Delivery & Lifecycle Information:

[TE Connectivity AMP Connectors](#)
[786073-1](#)

For any questions, you can email us directly:

sales@integrated-circuit.com

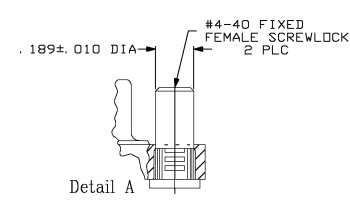


LOC	DIST	REVISIONS					
GP	00	F	UK	DESCRIPTION	DATE	DM	APD
		C		REVISED PER EC 0513-0416-03		ZELANDA	BM JG

- MATERIAL:**
- Housing: PBT , 15% G.F polyester, Black. (UL 94V-0 Rated)
 - Contact: Phos. Bronze.
 - Contact Plated: Gold Plated over 50μ " Nickel underplate.
 - Solder Tail: Sn/Pb Plated 120μ " over 50μ " Nickel underplate.
 - Shell: Steel, Nickel Plated.
 - Rivet: Brass, Nickel plated 30 Min.
 - Female Screwlock: Brass, Nickel plated 30μ " Min.
 - Ground Plate: SUS 302, 50μ "~ 150μ " Tin Plated Over Nickel underplate.

Four digit date code in this format.

Year: 01 45
Manufacturing Week



Tray	Detail A	Gold flash	786073-4
Tray	Detail A	15μ "	786073-3
Tray	Detail A	30μ "	786073-1
Packaging	Mounting Flange Config	Contact Finish	AMP Part NO.

THIS DRAWING IS A CONTROLLED DOCUMENT.		DRW	22APR02	Tyco Electronics Corporation	
DIMENSIONS:		J. BURWELL	22APR02	Horsham, Pa 17105	
TOLERANCES UNLESS OTHERWISE SPECIFIED:		E. CASH		NAME	
MM		APD		MATERIAL	
0 PLC	\pm	PRODUCT SPEC:		AMPLITE HD-22	
1 PLC	± 0.30	APPLICATION SPEC		26 POS RECEPTACLE, VERTICAL	
2 PLC	± 0.20			SIZE	DATE CODE
3 PLC	± 0.15			A2	00779
4 PLC	± 0.10			SCALE	DRAWING NO
ANGLES:	$\pm .2$			1:1	786073
MATERIAL:	FINISH:	WEIGHT:		SHEET	REV
				1	1
		CUSTOMER DRAWING		1	1