

Excellent Integrated System Limited

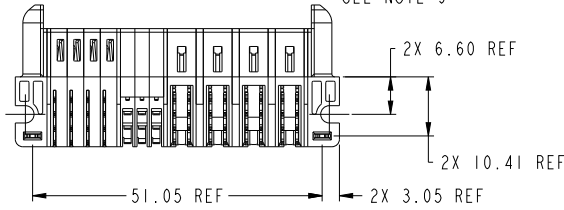
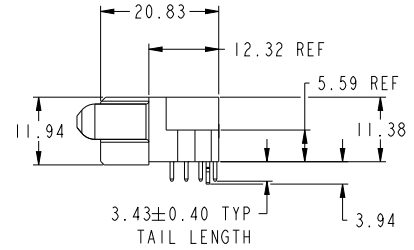
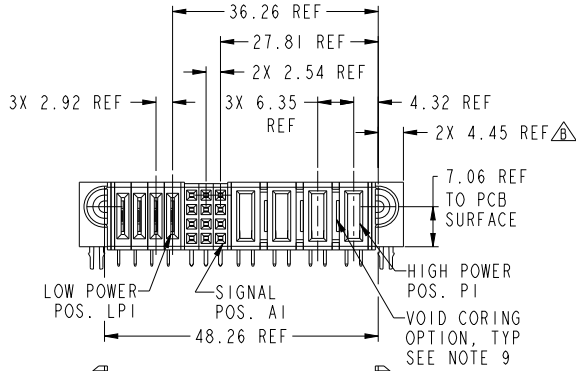
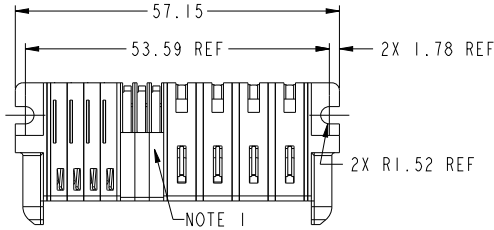
Stocking Distributor

Click to view price, real time Inventory, Delivery & Lifecycle Information:

[FCI](#)
[10106126-4403001LF](#)

For any questions, you can email us directly:
sales@integrated-circuit.com

PRODUCT NUMBER SEE SHEET 2



spec ref	*	dr	Peng-Bing Fu	20120916	projection	MM	size	A3	scale	3:2	
tolerance std	ASME Y14.5	eng	Peng-Bing Fu	20121014			ecp no	ELX-00-01944-1	rel level	Released	
TOLERANCES UNLESS OTHERWISE SPECIFIED		chr	Tian-Xu Huang	20121115			product family	PwrBlade+			
		appr	Pai-Ming Zhang	20121115			cat. no.	10106126-4403001	rev	B	
surface	linear	0.X	±0.5		title		4HP + 12S + 4LP				
		0.XX	±0.25		RA STB RECEPTACLE						
		0.XXX	±0.10		Product - Customer Drw		sheet 1 of 3				
ASME Y14.5	angular	0°	±2°	www.fci.com	cat. no.	10106126-4403001	Product - Customer Drw	STATUS: Released			

Print Date - REV C - 2009-04-09

1

2

3

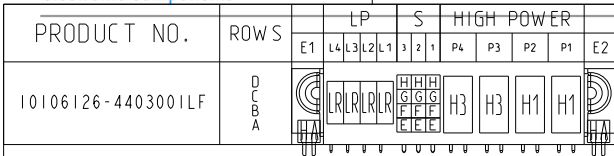
PDS: Rev B

STATUS: Released

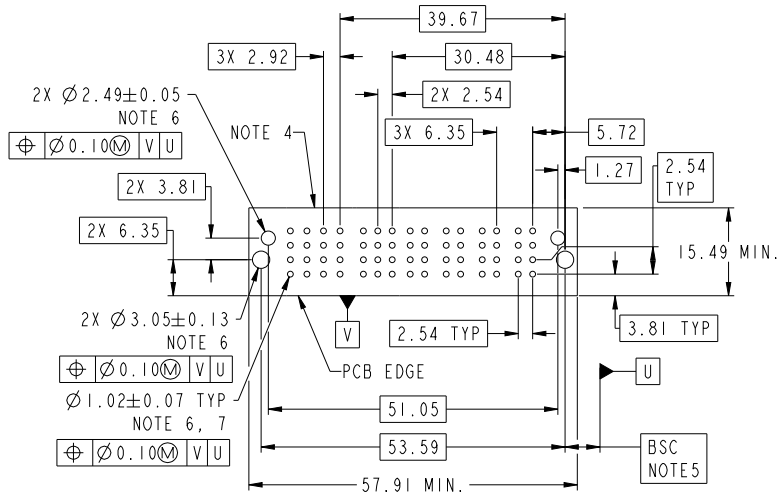
Printed: Nov 16, 2012



Copyright FCI.

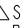


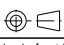

CODE	DESCRIPTION
E	STD SIGNAL CONTACT, ROW A
F	STD SIGNAL CONTACT, ROW B
G	STD SIGNAL CONTACT, ROW C
H	STD SIGNAL CONTACT, ROW D
H1	MFBL HIGH POWER CONTACT(3.43)
H3	STD HIGH POWER CONTACT(3.43)
HA	METAL HOLD DOWN
LR	STD LOW POWER CONTACT(3.43)



dr	Peng-Bing Fu	20120916	projection	MM	size	A3	scale	3:2
eng	Peng-Bing Fu	20121014			ecn no	ELX-00-01844-1		
chr	Tian-Xu Huang	20121115			rel level	Released		
appr	Pai-Ming Zhang	20121115	product family	PwrBlade+				
			title 4HP + 12S + 4LP RA STB RECEPTACLE			eng no 10106126-4403001		rev B
www.fci.com			cat. no.		Product - Customer Drw		sheet 2 of 3	

NOTES:

- 1) "FCI", PART NUMBER AND DATE CODE TO BE MARKED ON THIS SURFACE.
THE P/N CAN BE OMITTED IF THERE IS NOT ENOUGH SPACE ON THIS SURFACE.
- 2) MATERIALS:
-HOUSING - GLASS FILLED WITH HIGH TEMP THERMOPLASTIC, UL94V-0.
-SIGNAL CONTACT - COPPER ALLOY.
-POWER CONTACT - HIGH CONDUCTIVITY COPPER ALLOY.
- 3) PLATING SPECIFICATION REFER TO FCI 10116351
- 4) DENOTES CONNECTOR KEEP OUT ZONE.
- 5) DATUM AND BASIC DIMENSIONS WERE ESTABLISHED BY CUSTOMER.
- 6) ALL HOLE DIAMETERS ARE FINISHED HOLE SIZES.
- 7) 1.15 ± 0.025 MM DRILLED HOLE PLATED WITH 0.00762MM MIN Sn
OVER 0.0254-0.0762MM Cu PLATING TO ACHIEVE A 1.02 ± 0.07 MM HOLE.
- 8) PRODUCT SPECIFICATION REFER TO FCI GS-12-658.
APPLICATION SPECIFICATION REFER TO FCI GS-20-141.
PRODUCT PACKAGED IN TRAYS, REFER TO FCI GS-14-1502.
- 9) THE VOID CORING IN BETWEEN POWER MODULES, SIGNAL
MODULES AND END MODULES ARE OPTIONAL AND THE SHAPE
MAY BE DIFFERENT FOR OPTIMIZE THE MOLDING PROCESS. THE
VOID CORING WILL NOT EFFECT TO PRODUCT FUNCTION.
- 10) A  SYMBOL WILL BE NEXT TO ANY DIMENSION,VIEW,OR NOTE WHICH
HAS BEEN MODIFIED WITH THE CURRENT DRAWING REVISION.

dr	Peng-Bing Fu	20120916	projection	MM	size	A3	scale	3:2		
eng	Peng-Bing Fu	20121014		← PwrBlade+ →	ecn no	ELX-00-01844-1				
chr	Tian-Xu Huang	20121115			rel level	Released				
appr	Pai-Ming Zhang	20121115	product family	PwrBlade+						
		title		4HP + 12S + 4LP		eng no		10106126-4403001	rev	B
www.fci.com		cat. no.	Product - Customer Drw		sheet 3 of 3					



Copyright FCI.