

Excellent Integrated System Limited

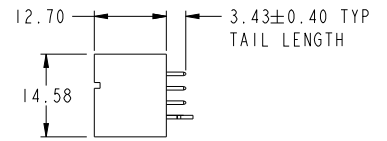
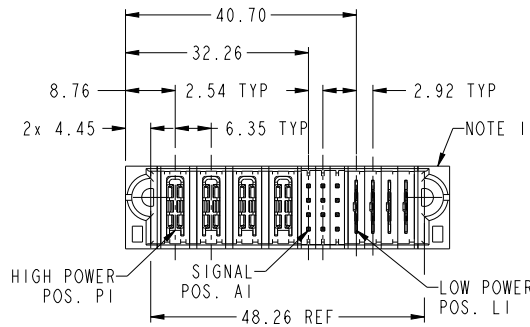
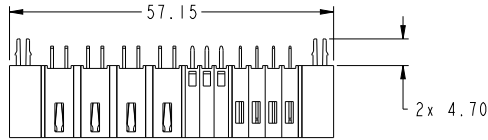
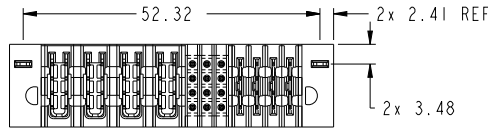
Stocking Distributor

Click to view price, real time Inventory, Delivery & Lifecycle Information:

[FCI](#)
[10106128-4403001LF](#)

For any questions, you can email us directly:
sales@integrated-circuit.com

PART NUMBER SEE SHEET 2



Copyright FCI.

spec ref	*	dr	Peng-Bing Fu	20120907	projection	MM	size	A3	scale	3:2	
tolerance std	ASME Y14.5	eng	Rainbow Zhan	20140815			ecn no	-	rel level	Released	
TOLERANCES UNLESS OTHERWISE SPECIFIED		chr	Li-Hu	20140814			product family	PwrBlade+			
surface	linear	appr	Pai-Ming Zhang	20140815			cat. no.	10106128-4403001	rev	A	
	angular	www.fci.com			Product - Customer Drw		sheet 1 of 3				

Part File - REC C - 2009-04-09

1

2

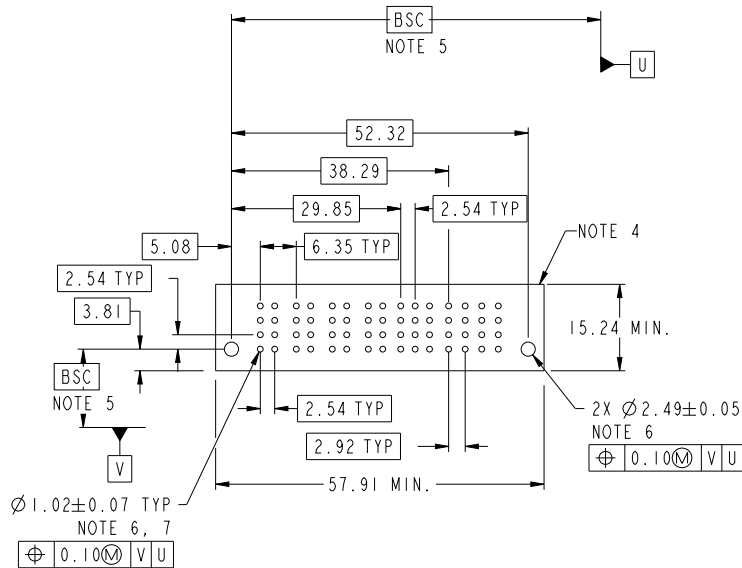
3

PDS: Rev :A

STATUS:Released

Printed: Aug 15, 2014

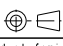
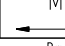

PRODUCT NO.	ROWS	HIGH POWER S LP												CODE	DESCRIPTION		
		E1	P1	P2	P3	P4	1	2	3	P5	P6	P7	P8			E2	
10106128-4403001LF	D C B A															E	STD SIGNAL CONTACT
																H	MLBF SIGNAL CONTACT
																HI	STD HIGH POWER CONTACT
																HA	METAL HOLD DOWN
																LJ	STD LOW POWER CONTACT
																LM	MFBL LOW POWER CONTACT



dr	Peng-Bing Fu	20120907	projection	MM	size	A3	scale	3:2
eng	Rainbow Zhan	20140815		←	ecn no.			
chr	Li-Hu	20140814			product family	PwrBlade+	rel level	Released
appr	Pai-Ming Zhang	20140815	www.fci.com		title	4HP + 12S + 4LP VERTICAL STB HEADER		rev
					cat. no.	10106128-4403001	Product - Customer Drw	sheet 2 of 3

NOTES:

- 1) "FCI", PART NUMBER AND DATE CODE TO BE MARKED ON THIS SURFACE.
THE MARK CAN BE OMITTED IF THERE IS NOT ENOUGH SPACE ON THIS SURFACE.
- 2) MATERIALS:
-HOUSING - GLASS FILLED WITH HIGH TEMP THERMOPLASTIC, UL94V-0.
-SIGNAL CONTACT - COPPER ALLOY.
-POWER CONTACT - HIGH CONDUCTIVITY COPPER ALLOY.
- 3) PLATING SPECIFICATION REFER TO FCI 10116351
- 4) DENOTES CONNECTOR KEEP OUT ZONE.
- 5) DATUM AND BASIC DIMENSIONS WERE ESTABLISHED BY CUSTOMER.
- 6) ALL HOLE DIAMETERS ARE FINISHED HOLE SIZES.
- 7) 1.15±0.025MM DRILLED HOLE PLATED WITH 0.00762MM MIN Sn
OVER 0.0254-0.0762MM Cu PLATING TO ACHIEVE A 1.02±0.07MM HOLE.
- 8) PRODUCT SPECIFICATION REFER TO FCI GS-12-658.
APPLICATION SPECIFICATION REFER TO FCI GS-20-141.
PRODUCT PACKAGED IN TRAYS, REFER TO FCI GS-14-1502.

dr	Peng-Bing Fu	20120907	projection	MM	size	A3	scale	3:2
eng	Rainbow Zhan	20140815			ecn no	-	rel level	
chr	Li-Hu	20140814			PwrBlade+		Released	
appr	Pai-Ming Zhang	20140815	product family					
			title 4HP + 12S + 4LP VERTICAL STB HEADER		eng no	10106128-4403001		rev
www.fci.com			cat. no.	Product - Customer Drw		sheet 3 of 3		



Copyright FCI.