

Excellent Integrated System Limited

Stocking Distributor

Click to view price, real time Inventory, Delivery & Lifecycle Information:

[JKL Components Corporation](#)
[BXA-12594-5M](#)

For any questions, you can email us directly:

sales@integrated-circuit.com

PERFORMANCE SPECIFICATIONS:

DESCRIPTION	SYM	MIN	TYP	MAX	UNITS
INPUT VOLTAGE	V _{IN}	10.0	12.0	16.0	V DC
INPUT CURRENT	I _{IN}	---	230	---	MA DC
OUTPUT VOLTAGE	V _L	900	1000	---	V RMS
OUTPUT CURRENT	I _L	4.0	5.0	6.0	MA RMS
OSC. FREQUENCY	F _o	45.0	55.0	65.0	K HZ
PWM FREQUENCY	FPW	435	455	475	HZ

TESTED WITH 1 EACH 3MM X 164MM LAMP, AT 25°C, V_{IN}= 12.0V ± 0.1V.

OPERATING CHARACTERISTICS:

- INPUT VOLTAGE RANGE: 8.0 Vdc To 16.0 Vdc
- NOMINAL INPUT POWER: 5.0 WATTS
- OUTPUT DIMMING RANGE (R MODE): 33% TO 100%
- OUTPUT DIMMING RANGE (V MODE): N/A
- OPERATING TEMPERATURE RANGE: 0°C To 60°C
- STORAGE TEMPERATURE RANGE: -20°C To 70°C

CONTROL FUNCTIONS:

CNT (INPUT PIN 3) IS USED AS AN INHIBIT FUNCTION, "GND" EQUALS ON. "+V" OR "OPEN" EQUALS OFF.

R MODE DIMMING: Vr1 AND Vr2 (INPUT PINS 4 AND 5) ARE USED TO PROVIDE, THE DIMMING FUNCTION, "0" OHMS EQUALS 100% LIGHT OUTPUT, "10K" OHMS EQUALS 33% LIGHT OUTPUT.

NOTE: THE SWITCH AND POTENTIOMETER SHOWN ON THE WIRING DIAGRAM ARE NOT A PART OF THE BXA-12594-5M INVERTER. THESE PARTS ARE AVAILABLE FROM MOST ELECTRONIC PARTS DISTRIBUTORS.

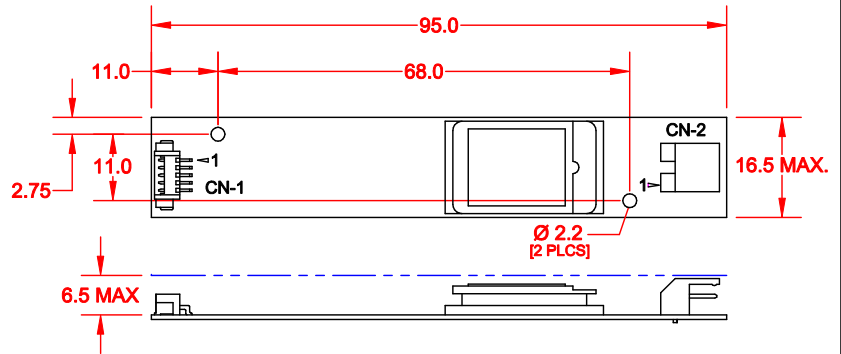
MATING CONNECTORS:

REF.	DESCRIPTION	PART NUMBER	MFG.
CN-1	HOUSING TERMINAL	51021-0500 50079-8000	MOLEX
CN-1	INPUT HARNESS	BXC-10549	JKL
CN-2	HOUSING TERMINAL	IL-G-4S-S3C2 L-G-C2-SC-10000	JAE
CN-2	OUTPUT HARNESS	BXC-10689	JKL

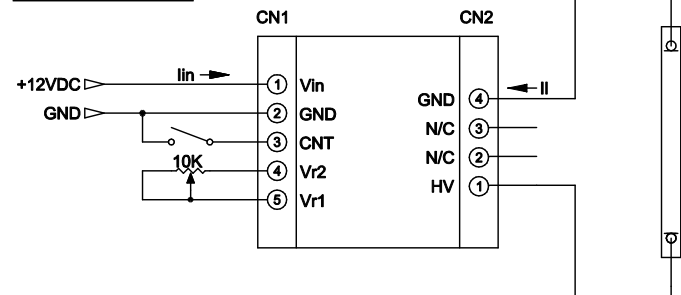
ABSOLUTE MAXIMUM RATINGS:

- MAXIMUM INPUT VOLTAGE: 16.0 Vdc
- MAXIMUM RELATIVE HUMIDITY: 90%

REV.	DESCRIPTION/ECO NO.	DATE
	ENGR. RELEASE TO CAD	7/2/04



WIRING DIAGRAM:



<p>METRIC</p> <p>THIRD ANGLE PROJECTION</p>	<p>DIMENSIONS ARE IN MILLIMETERS</p> <p>TOLERANCE UNLESS OTHERWISE SPECIFIED</p> <p>1 PL +/- REF.</p> <p>2 PL +/-</p> <p>ANGLE +/- 0</p>	<p>JKL COMPONENTS CORPORATION</p>				
	<p>DRAWN BY: L. WENGSTROM</p> <p>APP'D BY: J.K.</p> <p>DATE: 7/2/04</p>	<p>SIZE: A</p> <p>FRGM NO.: 55335</p>	<p>TITLE: 12V DC INPUT, SINGLE OUTPUT, DIMMING CCFL INVERTER</p>			
<p>- CAD DRAWING -</p> <p>MANUAL REVISIONS NOT PERMITTED</p>		<p>SCALE: NONE</p>	<p>RELEASED DATE: 7/2/04</p>	<p>REVISION DATE:</p>	<p>REV. NO.:</p>	<p>SHEET 1 OF 1</p>