

Excellent Integrated System Limited

Stocking Distributor

Click to view price, real time Inventory, Delivery & Lifecycle Information:

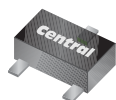
[Central Semiconductor Corp](#)
[CMUD7000 TR](#)

For any questions, you can email us directly:

sales@integrated-circuit.com

CMUD7000
SURFACE MOUNT
DUAL, IN SERIES
SILICON SWITCHING DIODES

ULTRAmimi™



SOT-523 CASE



www.centrasemi.com

DESCRIPTION:

The CENTRAL SEMICONDUCTOR CMUD7000 type is an ultra-high speed silicon switching diode manufactured by the epitaxial planar process, in an epoxy molded ULTRAmimi™ surface mount package, connected in a series configuration, designed for high speed switching applications.

MARKING CODE: CC5

MAXIMUM RATINGS: (T_A=25°C)

Peak Repetitive Reverse Voltage
Average Forward Current
Peak Forward Current, tp=1.0s
Power Dissipation
Operating and Storage Junction Temperature
Thermal Resistance

SYMBOL

V_RRM 100
I_O 200
I_FFM 500
P_D 250
T_J, T_{stg} -65 to +150
θ_{JA} 500

UNITS

V
mA
mA
mW
°C
°C/W

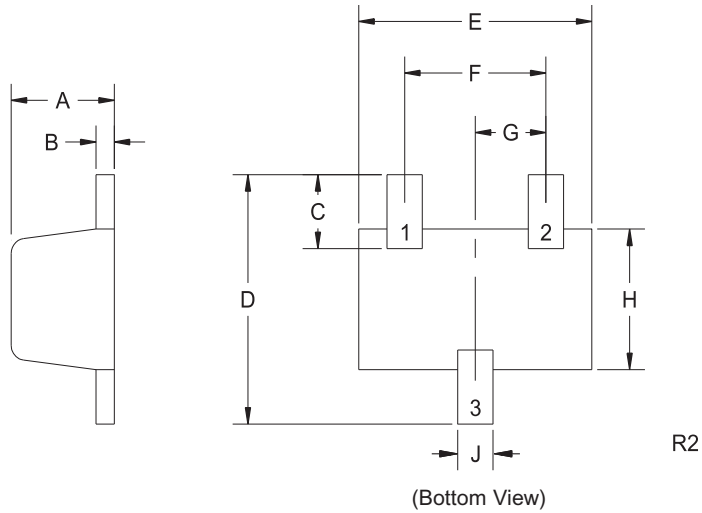
ELECTRICAL CHARACTERISTICS PER DIODE: (T_A=25°C unless otherwise noted)

SYMBOL	TEST CONDITIONS	MIN	TYP	MAX	UNITS
I _R	V _R =50V			300	nA
I _R	V _R =50V, T _A =125°C			100	μA
I _R	V _R =100V			500	nA
BV _R	I _R =100μA	100			V
V _F	I _F =1.0mA	0.55		0.70	V
V _F	I _F =10mA	0.67		0.82	V
V _F	I _F =100mA	0.75		1.10	V
C _T	V _R =0, f=1.0MHz		1.5	2.6	pF
t _{rr}	I _R =I _F =10mA, I _{rr} =1.0mA, R _L =100Ω		2.0	4.0	ns

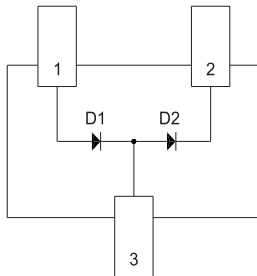
CMUD7000
SURFACE MOUNT
DUAL, IN SERIES
SILICON SWITCHING DIODES



SOT-523 CASE - MECHANICAL OUTLINE



PIN CONFIGURATION



DIMENSIONS				
SYMBOL	INCHES		MILLIMETERS	
	MIN	MAX	MIN	MAX
A	0.023	0.031	0.58	0.78
B	0.002	0.008	0.04	0.20
C	0.013	0.021	0.34	0.54
D	0.059	0.067	1.50	1.70
E	0.059	0.067	1.50	1.70
F	0.035	0.043	0.90	1.10
G	0.020		0.50	
H	0.031	0.039	0.78	0.98
J	0.010	0.014	0.25	0.35

SOT-523 (REV: R2)

LEAD CODE:

- 1) Anode D1
- 2) Cathode D2
- 3) Cathode D1, Anode D2

MARKING CODE: CC5

R4 (9-February 2010)

OUTSTANDING SUPPORT AND SUPERIOR SERVICES



PRODUCT SUPPORT

Central's operations team provides the highest level of support to insure product is delivered on-time.

- Supply management (Customer portals)
- Inventory bonding
- Consolidated shipping options
- Custom bar coding for shipments
- Custom product packing

DESIGNER SUPPORT/SERVICES

Central's applications engineering team is ready to discuss your design challenges. Just ask.

- Free quick ship samples (2nd day air)
- Online technical data and parametric search
- SPICE models
- Custom electrical curves
- Environmental regulation compliance
- Customer specific screening
- Up-screening capabilities
- Special wafer diffusions
- PbSn plating options
- Package details
- Application notes
- Application and design sample kits
- Custom product and package development

CONTACT US

Corporate Headquarters & Customer Support Team

Central Semiconductor Corp.
145 Adams Avenue
Hauppauge, NY 11788 USA
Main Tel: (631) 435-1110
Main Fax: (631) 435-1824
Support Team Fax: (631) 435-3388
www.centra-semi.com

Worldwide Field Representatives:
www.centra-semi.com/wwreps

Worldwide Distributors:
www.centra-semi.com/wwdistributors

For the latest version of Central Semiconductor's **LIMITATIONS AND DAMAGES DISCLAIMER**, which is part of Central's Standard Terms and Conditions of sale, visit: www.centra-semi.com/terms