

Excellent Integrated System Limited

Stocking Distributor

Click to view price, real time Inventory, Delivery & Lifecycle Information:

[LEMO](#)
[PKB.M1.0SL.LZ](#)

For any questions, you can email us directly:
sales@integrated-circuit.com

SUMMARY

Wires

Low	10
High	0
Coax	0
Triax	0
Quad	0
Fiber	0
Fluidic	0

Series	P
Termination type	Female solder
IP rating	50
Cable Ø	0.00 - 0.00 mm
Matching parts	xxx



Download

[Request a quote](#)

[Catalog](#)

TECHNICAL DETAILS

Mechanics

Shell Style/Model	PK*: Fixed receptacle with two nuts (back panel mounting)
Keying	2 keys (alpha=60; Plug: male contacts; Receptacle: female contacts)
Housing Material	PEI (Polyetherimide), gray
Cable Fixing	∅ 0 - 0 mm
Variant	Z : without front nut

Performance

Configuration	1P.M10 : 10 Low Voltage
Insulator	
Rated Current	3 Amps

Specifications

Contact Type:	Solder
Max. Matings:	2000
Contact Dia.:	0.5 mm (0.0201in)
Bucket Dia.:	0.45 mm (0.018in)
Max. Solid Conductor:	0.09 mm ² (AWG 28)
Max. Stranded Conductor:	0.09 mm ² (AWG 28)
R (max):	8.5 mOhm
Test voltage (kV rms) Contact-contact:	0.85

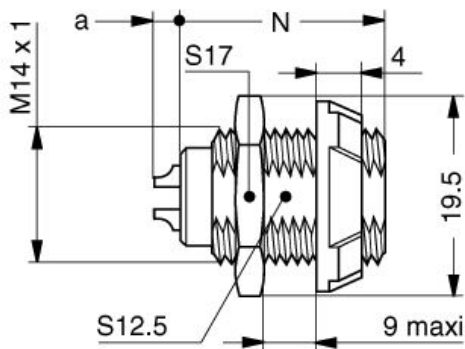
Air clearance min. (mm) or Creepage distance min. (mm): 0.45

Others

F ret (min): 50 N
 F ret (max): 150 N
 IP Rating: 50

DRAWINGS

Draws



Dimensions

	A	Lmax	N
mm.	19.5	25	22.2
in.	0,77	0,98	0,87

RECOMMENDED BY LEMO

Tools

None

Cables

CMN.10.T22.068QGC