

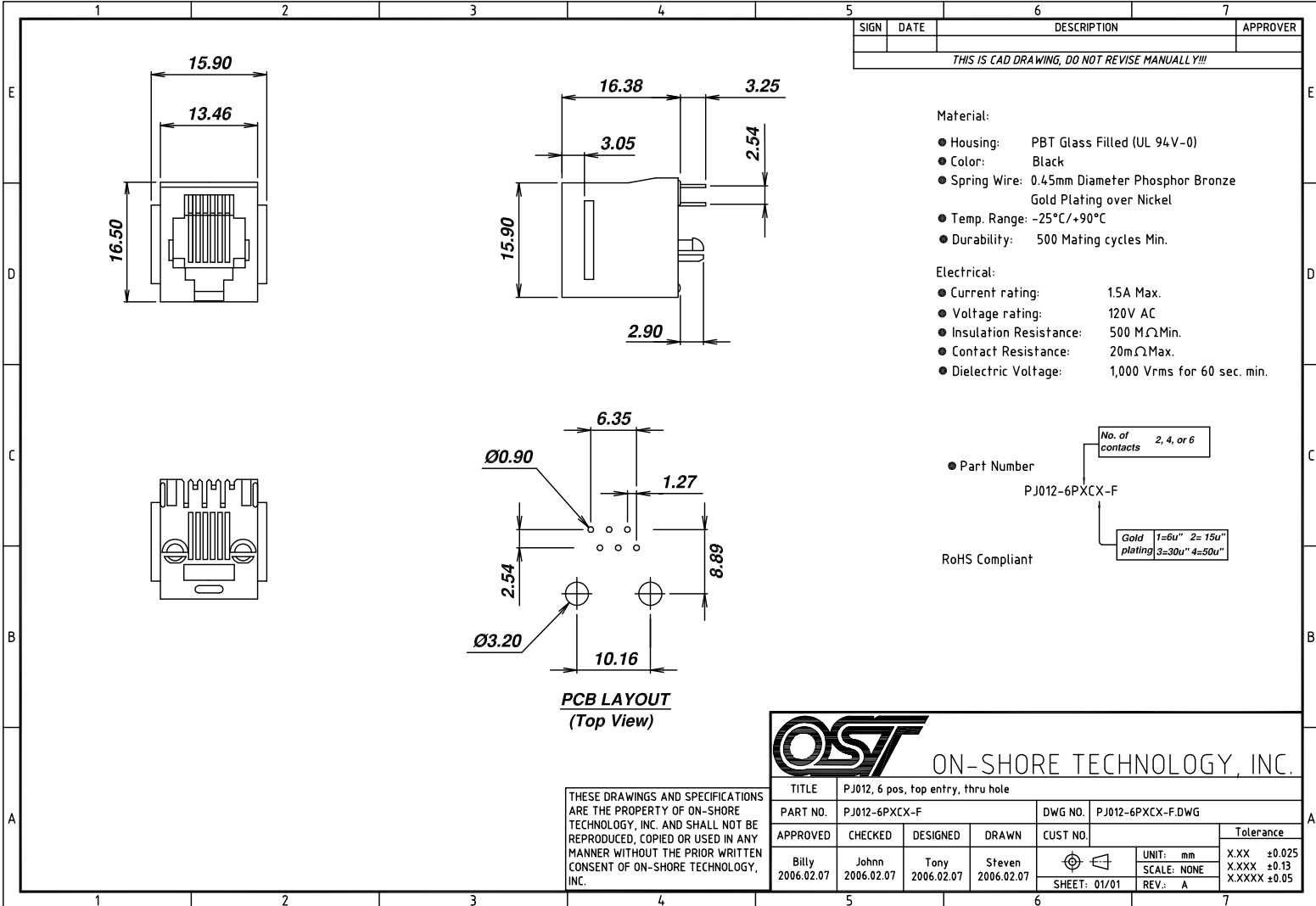
Excellent Integrated System Limited

Stocking Distributor

Click to view price, real time Inventory, Delivery & Lifecycle Information:

[On-Shore Technology, Inc.](#)
[PJ012-6P6C1-F](#)

For any questions, you can email us directly:
sales@integrated-circuit.com



SIGN	DATE	DESCRIPTION	APPROVER
THIS IS CAD DRAWING, DO NOT REVISE MANUALLY!!!			

- Material:**
- Housing: PBT Glass Filled (UL 94V-0)
 - Color: Black
 - Spring Wire: 0.45mm Diameter Phosphor Bronze
Gold Plating over Nickel
 - Temp. Range: -25°C/+90°C
 - Durability: 500 Mating cycles Min.
- Electrical:**
- Current rating: 1.5A Max.
 - Voltage rating: 120V AC
 - Insulation Resistance: 500 MΩ Min.
 - Contact Resistance: 20mΩ Max.
 - Dielectric Voltage: 1,000 Vrms for 60 sec. min.

● Part Number: PJ012-6PXCX-F

RoHS Compliant

No. of contacts: 2, 4, or 6

Gold plating: 1=6u" 2=15u" 3=30u" 4=50u"

THESE DRAWINGS AND SPECIFICATIONS ARE THE PROPERTY OF ON-SHORE TECHNOLOGY, INC. AND SHALL NOT BE REPRODUCED, COPIED OR USED IN ANY MANNER WITHOUT THE PRIOR WRITTEN CONSENT OF ON-SHORE TECHNOLOGY, INC.

		ON-SHORE TECHNOLOGY, INC.	
PART NO. PJ012-6PXCX-F		DWG NO. PJ012-6PXCX-F.DWG	
APPROVED	CHECKED	DESIGNED	DRAWN
Billy 2006.02.07	John 2006.02.07	Tony 2006.02.07	Steven 2006.02.07
SHEET: 01/01		Tolerance	
UNIT: mm		X.XX ±0.025	
SCALE: NONE		X.XXX ±0.13	
REV.: A		X.XXXX ±0.05	