

## Excellent Integrated System Limited

Stocking Distributor

Click to view price, real time Inventory, Delivery & Lifecycle Information:

[Panasonic Electronic Components](#)  
[EHF-FD1824](#)

For any questions, you can email us directly:

[sales@integrated-circuit.com](mailto:sales@integrated-circuit.com)

Messrs. Digi-Key

Issue No. : PC-02-054

Date of issue : November 15, 2002

Classification :  New  Change  Renewal

## Delivery Specification

Product Description : Dual Band Directional Coupler

Product Part Number : EHFFD1824

Classification of Spec : Individual Product Specification

Applications : Cellular phone

For other applications, contact the undersigned in advance.

Term of Validity : November 14, 2007 from the date of issue.

CUSTOMER USE ONLY	Receipt Record#:
This was certainly received by us. 1(one) copy is being returned to you.	Date of receipt:
	Received by:
	Title:
	Dept.:

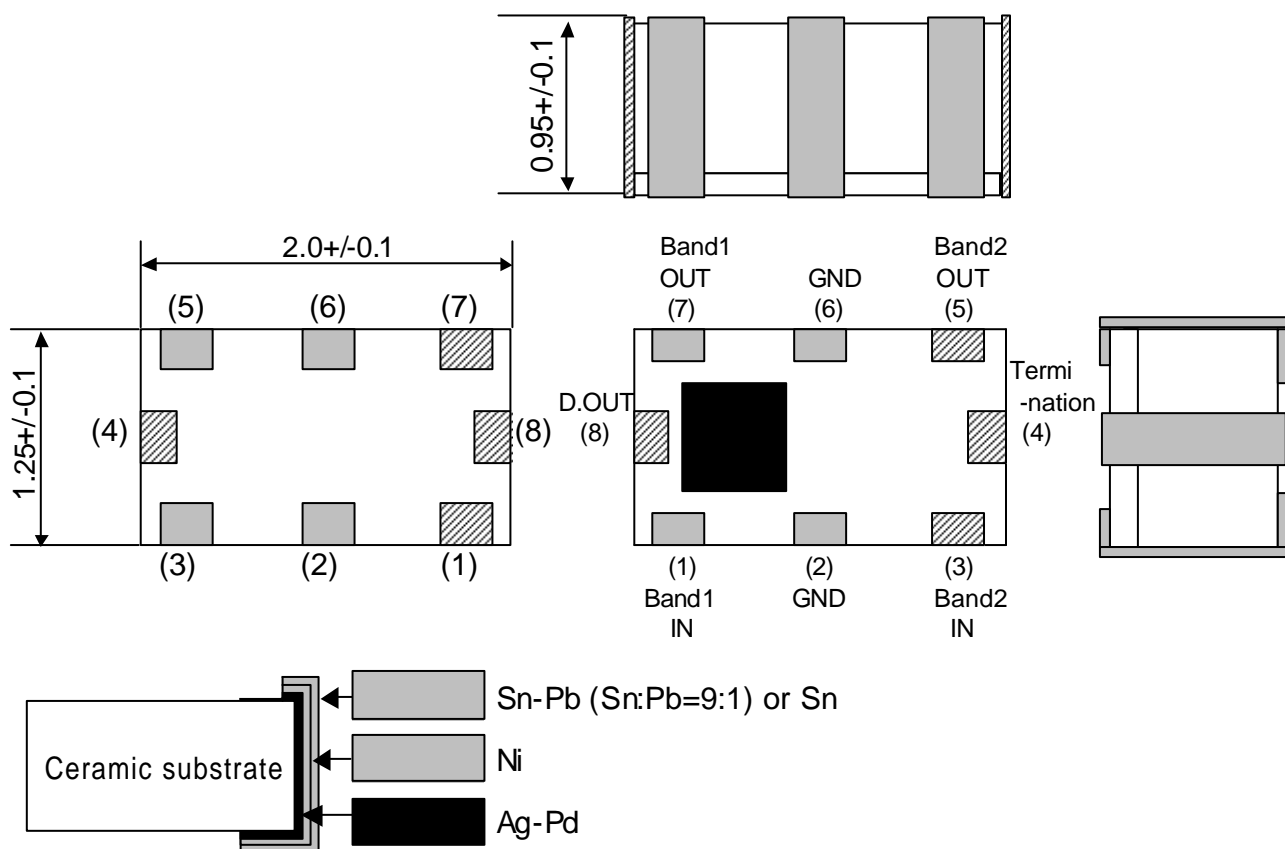
Matsushita Electronic Components Co., Ltd.  
 Network Device Company  
 Module Strategic Business Unit  
 Engineering Group HFD Team  
 992-1 Aiba Ohno-cho Ibi-gun Gifu 501-0598 JAPAN  
 Tel: +81-0585-36-2322  
 Fax: +81-0585-36-2344

Prepared by	: S.Endo
Checked by	: M. Mizuno
Authorized by	: M. Mizuno
Title	: Manager of Engineering

[Shape, appearance, dimension] Unit: mm

<Back View>

<Front & Side View>



Note 1) "typ" is used where no dimensional tolerance applies.

Item	Description
Appearance/ construction	Product surface shall be covered with a protective film, which does not easily separate nor present noticeable unevenness, scratches, pinholes, color changes etc.
	Terminals shall ensure practically acceptable quality.
	Substrate shall be as shown in the drawing with no excessive chippings, scratches, burrs, or cracks.
Marking	Shall be legible in black (with printing paste).
Remarks	■ marked side for pin 1.

Dual Directional Coupler		Delivery Specification			EHF FD1824 Appearance
Enact. Date November 15, 2002	P.S.M	Approval	Check	Plan	
Enfo. Date November 15, 2002	-----	M. Mizuno	M. Mizuno	S.Endo	Drawing No. 151-EHF- FD1824 9-1

[Absolute maximum ratings]

No.	Item	Symbol	Rating	Unit	Remark
1	Maximum Input Power	Pmax	3.2/1.5(Band1/2)	W	DC bias is zero.
2	Operating Temperature	Topr	-30~+85	degC	
3	Storage Temperature	Tstg	-40~+85	degC	

Note: This component cannot apply a DC Bias.

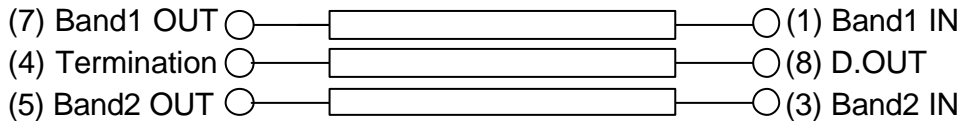
[Characteristics]

T= 25 +/- 5 degC

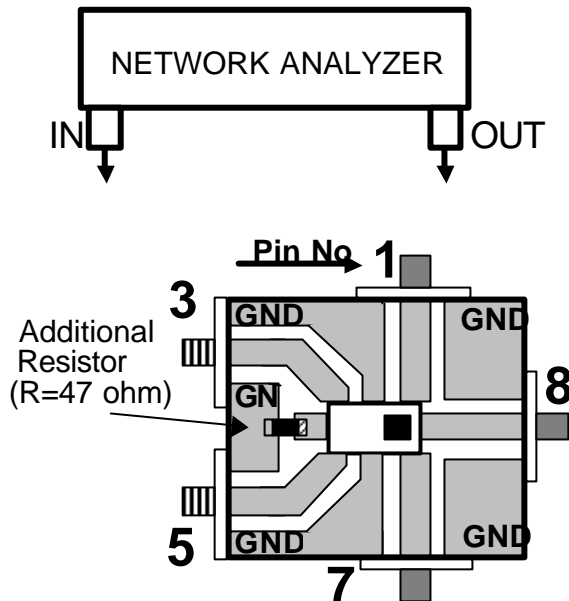
No.	Item	Test Circuit	Specification			Unit
			min.	typ.	max.	
1	Frequency range Band1	Fig.1	880	-	915	MHz
2	Frequency range Band2	Fig.1	1710	-	1785	MHz
3	Insertion loss *1 Band1	Fig.1	-	-	0.45	dB
4	Insertion loss *1 Band2	Fig.1	-	-	0.45	dB
5	Coupling Band1	Fig.1	13.0	14.0	15.0	dB
6	Coupling Band2	Fig.1	13.0	14.0	15.0	dB
7	Isolation Band1	Fig.1	18.0	-	-	dB
8	Isolation Band2	Fig.1	18.0	-	-	dB
9	Input V.S.W.R. in both Bands	Fig.1	-	-	1.5	-

\*1 not include Test Board Loss  
 Band1 : 0.10 dB  
 Band2 : 0.15 dB

[Circuit]



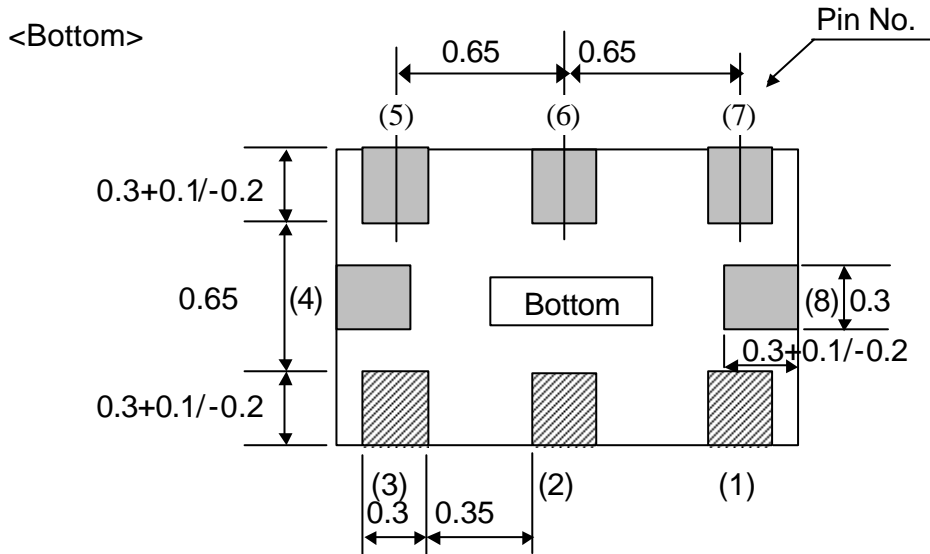
[Test Circuit Diagram] Fig. 1



- <3. Insertion loss in Band1>  
(1) to (7) , others=Termination(50 ohm)
- <4. Insertion loss in Band2>  
(3) to (5) , others =Termination(50 ohm)
- <5. Coupling in Band1>  
(1) to (8) , others =Termination(50 ohm)
- <6. Coupling in Band2>  
(3) to (8) , others =Termination(50 ohm)
- <7. Isolation in Band1>  
(7) to (8) , others =Termination(50 ohm)
- <8. Isolation in Band2>  
(5) to (8) , others =Termination(50 ohm)
- <9. Isolation in Band1In to Band2 Out>  
(1) to (5) , others =Termination(50 ohm)
- <10. Isolation in Band1In to Band2 In >  
(1) to (3) , others =Termination(50 ohm)

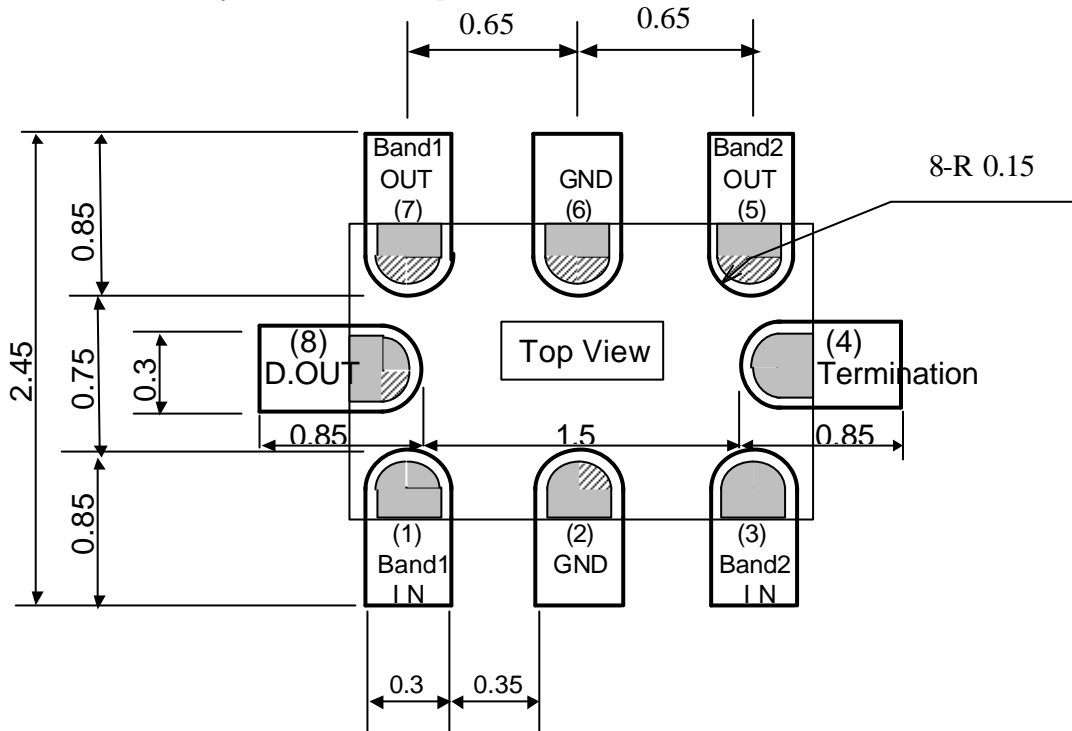
Dual Directional Coupler		Delivery Specification			EHF FD1824 Specification and measurement
Enact. Date	November 15, 2002	P.S.M	Approval	Check	
Enfo. Date	November 15, 2002	-----	M. Mizuno	M. Mizuno	S.Endo
					Drawing No. 151-EHF- FD1824 9-2

[Terminal dimensions] Unit: mm



Tolerance  
Pin land: +/-0.1

[Recommended PCB pad dimensions] Unit: mm



Dual Directional Coupler

Delivery Specification

EHF FD1824

Enact. Date November 15, 2002

P.S.M

Approval

Check

Plan

Terminals/Recommended lands

Enfo. Date November 15, 2002

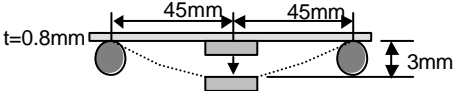
-----

M. Mizuno

M. Mizuno

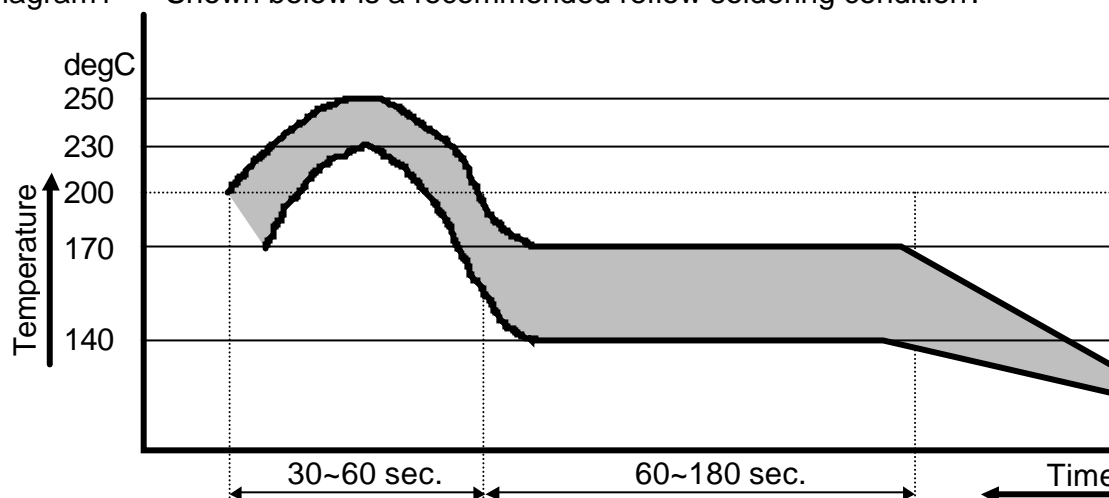
S.Endo

Drawing No.  
151-EHF- FD1824 9-3

[Quality characteristics]		
Test item	Test condition	Judgment criteria
High temperature	+85degC, 1000h	No abnormality shall be observed in appearance or electrical characteristics.
Low temperature	-40degC, 1000h	
High-temperature high-humidity storage	+60degC, 90%RH, 1000h	
Pressure Pot	+121degC, 99%RH, 2.026x10 <sup>5</sup> Pa, 100h	
Temperature cycling	-40...+85degC, Each 30 min., 200cy	
Vibration	10...500Hz, 10G, in each direction of XYZ, 2h30min.	
Impact	100G, 6mS, Half sinusoidal wave, in each direction of XYZ, 3 times	
Shock (Drop)	1.8m, 6 facesx6cy(36 times with 100g Dummy Load)	
Electro static discharge	200pF, 0 ohm, +/-200V, Each 5 times	
Soldering heat resistance	Manual hot gas: 260+/-10degC, 30 sec., 2 times	Over 90% of the terminal surface shall be covered with solder.
	Soldering iron: 260+/-10degC, 3 sec., 2 times	
	Reflow: 260degC peak, 2 times	
Solder ability	Solder bath: 235+/-5degC, 2 sec.	Over 95% of the terminal surface shall be covered with solder.
	Reflow: 230degC	
Board warping	Assemble this component on a PC board with 0.8mm thickness using the recommended soldering condition shown below, and apply a bending force of 3mm warping at a rate of 1mm/sec. 5 seconds and 5 times. 	There should not be any cracks in the component or solder joints, no abnormality in electrical characteristics.
Terminal removal	Solder a component on a PC board using the recommended condition shown below and then press the component sideways at 1mm/sec. Destruction limit 9.8N or greater.	
Seating plane co-planarity	Within 0.1mm	

< Recommended soldering condition >

Diagram1 Shown below is a recommended reflow soldering condition.



Dual Directional Coupler		Delivery Specification			EHF FD1824 Quality Characteristics
Enact. Date November 15, 2002	P.S.M	Approval	Check	Plan	
Enfo. Date November 15, 2002	-----	M. Mizuno	M. Mizuno	S.Endo	Drawing No. 151-EHF- FD1824 9-4

[Cautions for use]

- (1) Operating a product over the maximum rating for even a moment may result in a product failure or breakage. Never use a product in such a condition that it may cause a safety problem.
- (2) Opening or short-circuiting the product terminals or inserting a product in the reverse orientation while power is being supplied may cause a breakage. Always avoid such circumstances.
- (3) Operations in a corrosive gas atmosphere or improper environments such as high-temperature, high-humidity or dewy conditions may lead to product performance deterioration, a breakage, a change in appearance etc. Please avoid such conditions, as they are unsafe.
- (4) Always ground the soldering iron or soldering bath used for assembly operation to avoid any excessive voltage applied to a product.
- (5) After soldering with solder bridges, incomplete soldering or in the reverse orientation, supplying power may result in a product breakage. Please confirm the soldered condition before supplying power to the product.
- (6) Excessive stress on the terminals may cause a contact failure or performance deterioration. Please use caution.
- (7) Please provide a fail-safe provision in the product you design by taking any failure of our product into consideration.
- (8) This product does not include a DC-cutting device. Application of a DC Current may cause product deterioration or breakage.

\* If any question arises about the safety of this product, please contact us immediately with a request for an engineering examination.

[Remarks]

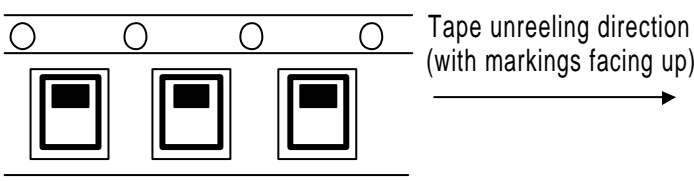
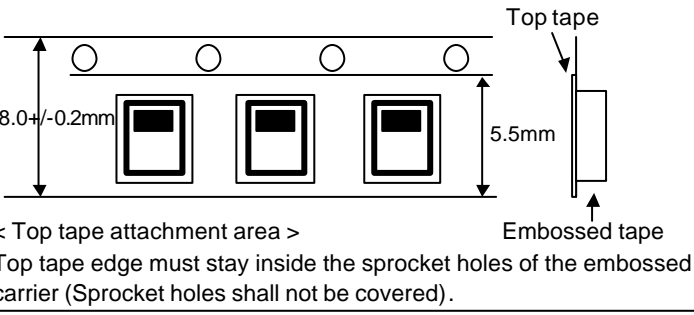

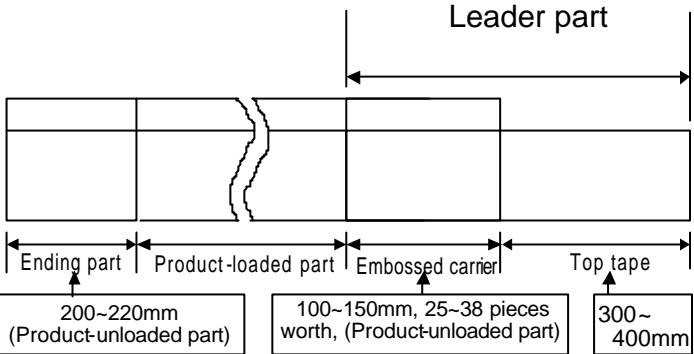
- \*1: All of the materials used in this product are those listed as the existing chemical substances based on the "Law for examination and regulation of manufacture of chemical substances".
- \*2: The production process of this product does not use any ozone-depleting chemicals (OZC) regulated by the Montreal Protocol.
- \*3: Validity of this specification is 5 years from the date of issue, but the validity is considered on going unless any changes are made.

Dual Directional Coupler		Delivery Specification			EHF FD1824 Cautions
Enact. Date November 15, 2002	P.S.M	Approval	Check	Plan	
Enfo. Date November 15, 2002	-----	M. Mizuno	M. Mizuno	S.Endo	Drawing No. 151-EHF- FD1824 9-5

[Packaging materials]

1. Materials
  - 1) Embossed carrier tape (Refer to the attachment)
  - 2) Top tape: Anti-static
  - 3) Packaging box (Refer to the attachment)
  - 4) Packaging tape, carrier-securing adhesive tape

2. Specification

No.	Item	Condition	Remarks
1	Reel outer diameter	Refer to the attachment.	
2	Reel inner diameter	Refer to the attachment.	
3	Reel inner width	Refer to the attachment.	
4	Quantity in a reel	4000 pieces/reel	
5	Taping direction		
6	Top tape attachment position	 <p>&lt; Top tape attachment area &gt; Top tape edge must stay inside the sprocket holes of the embossed carrier (Sprocket holes shall not be covered).</p>	Tape breaks force. Min. 10N Top cover tape strength. Min. 10N Tape peel force. 0.1...1.0N Tape peel angle. 165...180degree Reel weight. Max 1500g
7	Label attachment position		Indicated Item Pat No., Lot No. Quantity, Maker Country of Origin
8	Tape leader part and tape ending part		
9	Missing products	No missing products shall be allowed.	
10	Packaged quantity in a box	21 reels/box (Max)	84000 pieces/box(Max)

Dual Directional Coupler

Delivery Specification

EHF FD1824

Packaging specification 1

Enact. Date November 15, 2002

P.S.M

Approval

Check

Plan

Enfo. Date November 15, 2002

-----

M. Mizuno

M. Mizuno

S.Endo

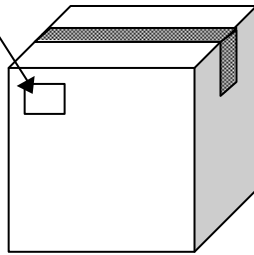
Drawing No.  
151-EHF- FD1824 9-6



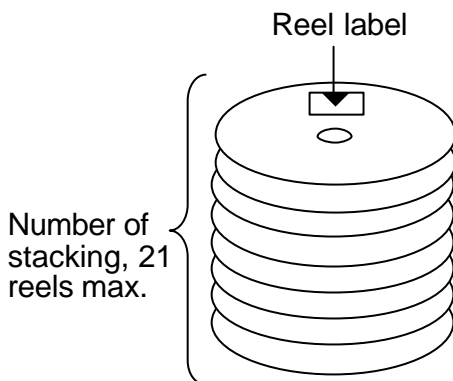
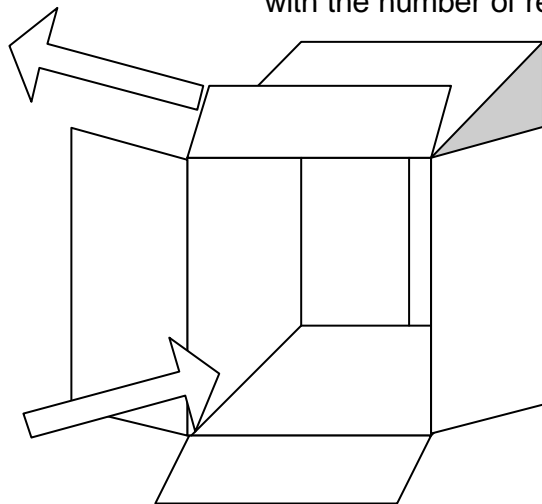
**1. Method**

- 1) Load products in each cavity of an embossed carrier tape, in the correct orientation, by leaving the product-unloaded part shown in Item No. 8(P9-6) of the packaging specification.
- 2) Heat-seal a top tape in good alignment on the carrier tape.
- 3) After 4000 pieces are loaded and reeled, provide a product-unloaded part at the tape-leader portion. Secure the tip of the carrier tape with a piece of adhesive tape.
- 4) Stack the reels (21 reels max.) and enclose them in a packaging box. Close the flaps with a piece of adhesive tape.
- 5) Provide markings on the packaging box.
  - < Items to be indicated >
  - 1. Part No.
  - 2. Quantity
  - 3. Lot No.
  - 4. Manufacturer name
  - 5. Country of origin

Marking on the packaging box



Packaging box shape varies with the number of reels enclosed.

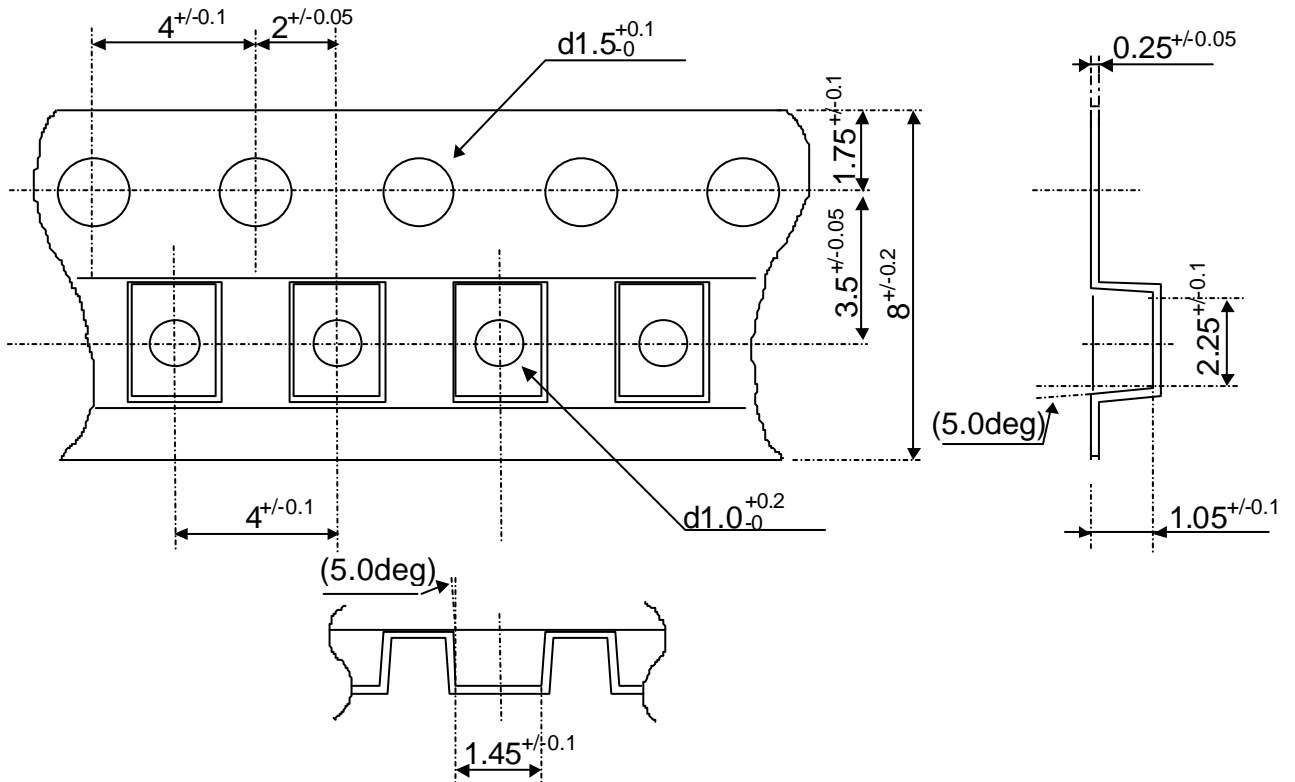


Number of stacking, 21 reels max.

\* Insert cushion material in the empty spaces to secure reels.

Dual Directional Coupler		Delivery Specification			EHF FD1824 Packaging specification 2
Enact. Date November 15, 2002	P.S.M	Approval	Check	Plan	
Enfo. Date November 15, 2002	-----	M. Mizuno	M. Mizuno	S.Endo	Drawing No. 151-EHF- FD1824 9-7

[Embossed tape dimensions] Unit: mm



<Remarks>

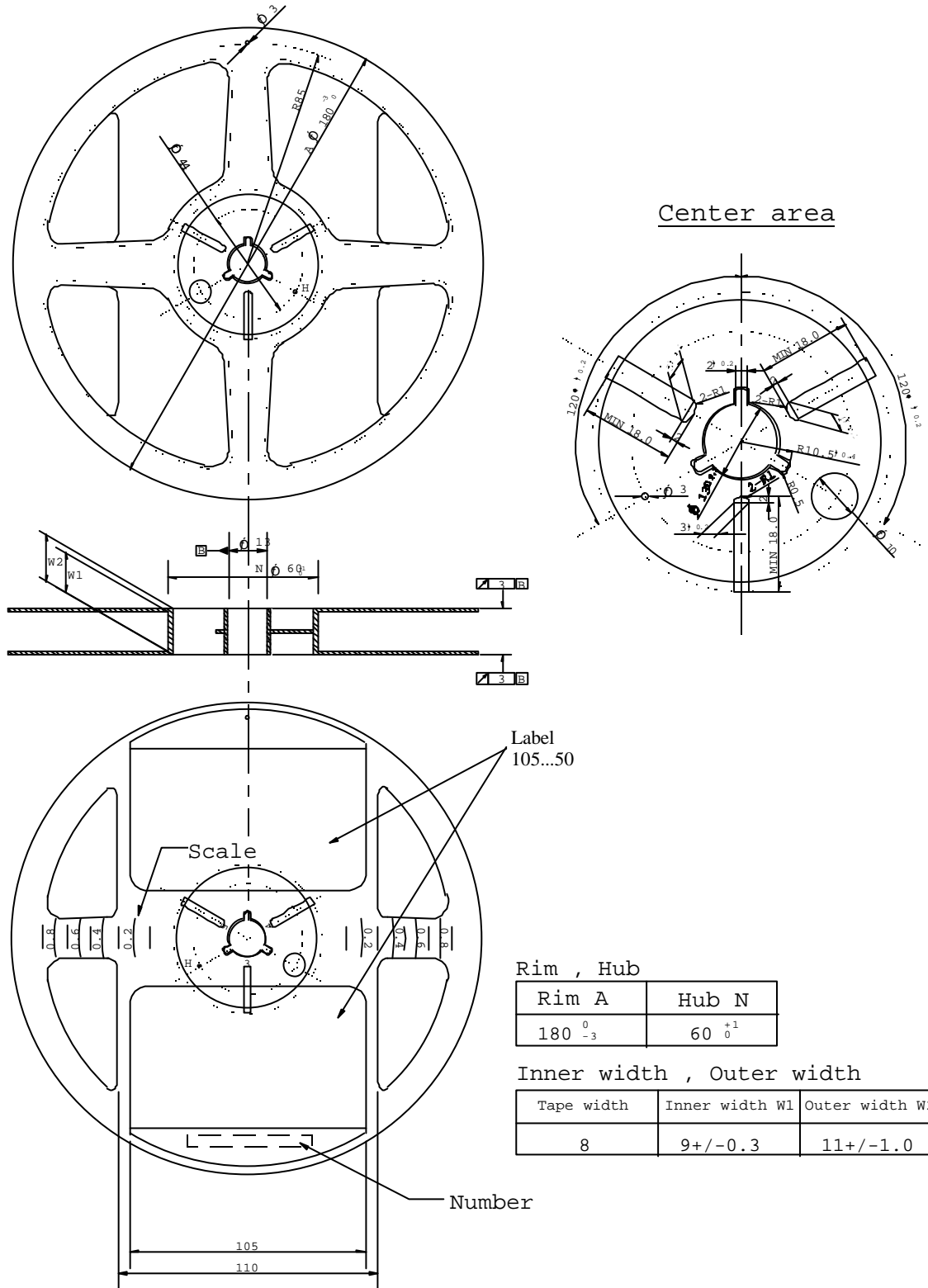
- (1) Unspecified corner radius shall be 0.3mm max.
- (2) Cumulative pitch error of sprocket holes shall be +/-0.2mm for 10 pitches.

Dual Directional Coupler		Delivery Specification			EHF FD1824 Packaging specification 3
Enact. Date November 15, 2002	P.S.M	Approval	Check	Plan	
Enfo. Date November 15, 2002	----	M. Mizuno	M. Mizuno	S.Endo	Drawing No. 151-EHF- FD1824 9-8

[Reel dimensions] Unit: mm

(1) This reel conforms to EIAJ-RRM-08B based on EIAJ standard.

(2) Material: PS (Polystyrene)



Dual Directional Coupler

Delivery Specification

EHFFD1824

Packaging specification 4

Enact. Date November 15, 2002

P.S.M

Approval

Check

Plan

Enfo. Date November 15, 2002

----

M. Mizuno

M. Mizuno

S.Endo

Drawing No.

151-EHF-FD1824 9-9