

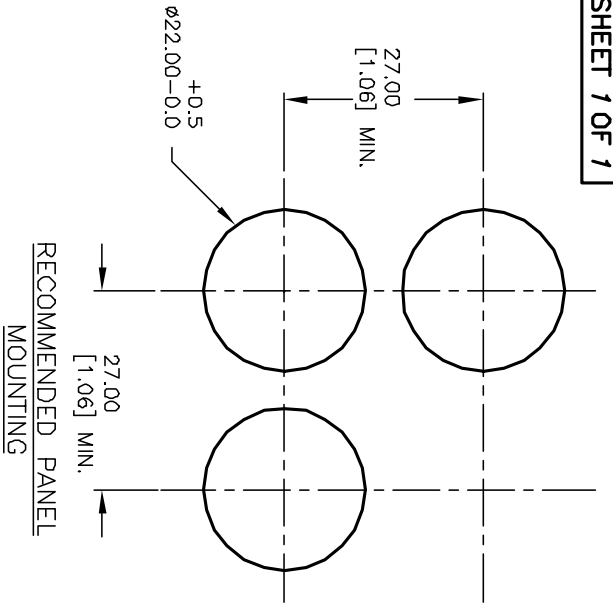
Excellent Integrated System Limited

Stocking Distributor

Click to view price, real time Inventory, Delivery & Lifecycle Information:

[E-Switch](#)
[LASOAV11HREDRED](#)

For any questions, you can email us directly:
sales@integrated-circuit.com



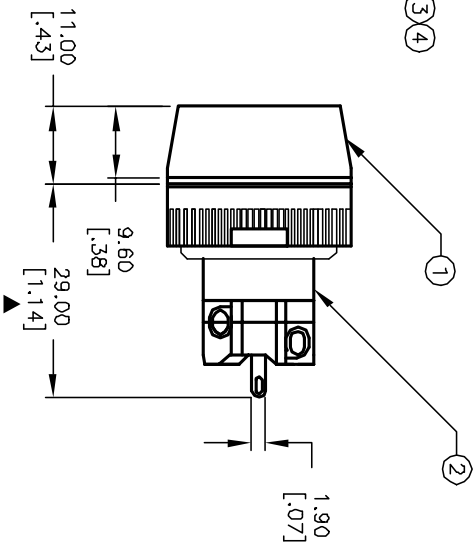
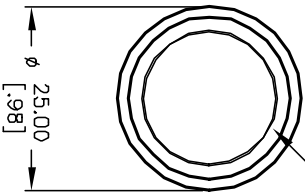
RECOMMENDED PANEL MOUNTING

1 0 1 0 2
 3 0 0 4
 a-L-b (+)

SPST CONTACT CONFIGURATION

NOTES:

1. ALL DIMENSIONS IN MM
2. GENERAL TOLERANCE: X.X=±0.4 X.XX=±0.25
3. RATINGS: 5A@250V AC, 8A@125V AC
4. CONTACT MATERIAL: COPPER ALLOY W/Gold Plating
5. TRAVEL: 3.0mm (Total) 2.0mm (Latch)
6. MECHANICAL LIFE: >100,000 Cycles
7. ELECTRICAL LIFE: >50,000 Cycles
8. INSULATION RESISTANCE: >1000 MILLI-OHMS
9. OPERATING TEMP: -20°C to 55°C
10. LAMP VOLTAGE: 6VDC (L.E.D.)
11. ▲ DENOTES CRITICAL PARAMETER.



PARTS LIST		
Item	Qty.	Dwg. No. Part No.
1	1	F051702 25mm RING FOR LA SERIES
2	1	F060606 LASOAV110
3	1	F060255 25mm RED LENS (TRANSPARENT)
4	1	F050417 50-004-17 RED L.E.D.

REV.	ECN No.	DESCRIPTION	DATE	CHKD	AR
A	13097	RELEASED FOR PRODUCTION	4/30/03		

TITLE		DATE		DR	DWG	REV
LASOAV11HREDRED		4/30/03		AR	XF0552P	A

E-SWITCH®

THE INFORMATION CONTAINED IN THIS DOCUMENT IS PROPRIETARY TO E-SWITCH AND IS NOT TO BE COPIED OR TRANSFERRED