

## **Excellent Integrated System Limited**

Stocking Distributor

Click to view price, real time Inventory, Delivery & Lifecycle Information:

[Cardinal Components](#)

[CFSE7](#)

For any questions, you can email us directly:

[sales@integrated-circuit.com](mailto:sales@integrated-circuit.com)

**CARDINAL COMPONENTS**

**Telecom OC48 Oscillator**

- 622.08 MHz Osc
- PECL Output

**Applications**

- SDH / SONET
- Digital Switching
- Test Equipment
- Cellular Telephony
- Land Mobile Radio

Series

**CFSE**

**Part Numbering Example: CFSE Z**

Specifications:	Min	Typ	Max	Unit
Frequency Range:		622.08		MHz
Available Stability Options:	-30		30	ppm
Supply Voltage:	3.135	3.3	3.465	V
Operating Temperature Range Options:	-10		85	°C
Storage Temperature:	-55		125	°C
Duty Cycle:	45		55	%
Start-Up Time:		3	10	mS
Aging (PPM/1st Year): Ta=25C, Vdd=3.3V			±5	
Static Discharge Voltage Mil-Std 883, method 3015	2000			V
Supply Current			100	mA
Short Circuit Current		± 50		mA
Jitter Integrated Period		3 10	4	pS pS
Phase Noise @10KHz Offset		-118		dBc/Hz
Output Voltage Voh Vol RI = 50Ω – (Vdd - 2V)	Vdd - 1.025		Vdd - 1.62	V V
Rise / Fall Time Clock Rise (tr) Clock Fall (tf)		0.6 0.5	1.5 1.5	nS nS
Output Level:	PECL			
Packaging:	Tape & Reel			

Notes: Extended exposure exceeding maximum ratings may cause permanent damage and affect reliability. Operation outside of specifications is not supported.

Cardinal Components, Inc., 155 Rt. 46 W, Wayne, NJ. 07470 TEL: (973)785-1333 FAX: (973)785-0053

<http://www.cardinalxtal.com>

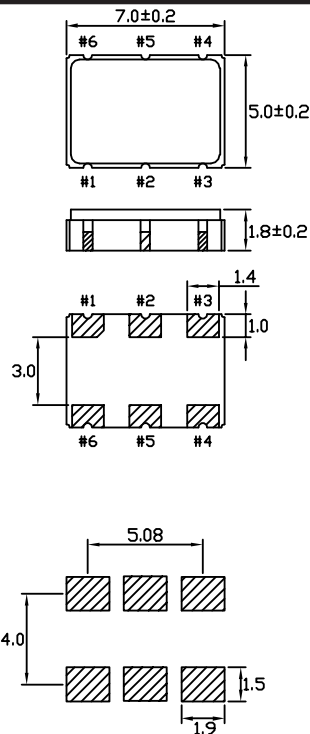
E-Mail: [cardinal@cardinalxtal.com](mailto:cardinal@cardinalxtal.com)

Specifications subject to change without notice. Check website for latest updates



**CARDINAL COMPONENTS**

**CFSE**

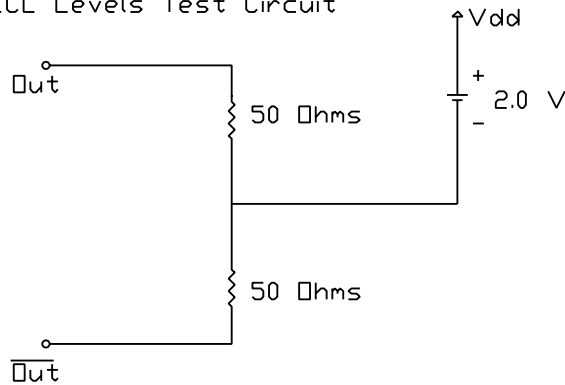


PIN	FUNCTION
1	N/C
2	OE
3	GND
4	PECL +
5	PECL -
6	Vdd

DIMENSIONS ARE IN MM

**LEVEL TEST CIRCUIT**

PECL Levels Test Circuit



**OUTPUT SKEW**

PECL Output Skew

