

Excellent Integrated System Limited

Stocking Distributor

Click to view price, real time Inventory, Delivery & Lifecycle Information:

[Cardinal Components](#)

[CC622V9](#)

For any questions, you can email us directly:

sales@integrated-circuit.com

CARDINAL COMPONENTS

Telecom OC48 Oscillator

- 622.08 MHz Osc
- Low Phase Noise
- LVDS Output

Applications

- SDH / SONET
- Digital Switching
- Test Equipment
- Cellular Telephony
- Land Mobile Radio

Series

CC622V

Part Numbering Example: CC622V Z

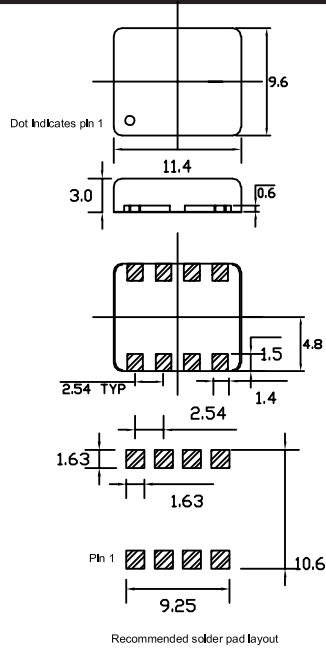
Specifications:	Min	Typ	Max	Unit
Frequency Range:		622.08		MHz
Available Stability Options:	-50		50	ppm
Supply Voltage:	3.135	3.3	3.465	V
Operating Temperature Range Options:	-10		85	°C
Storage Temperature:	-55		125	°C
Duty Cycle:	45		55	%
Start-Up Time:		3	10	mS
Aging (PPM/1st Year): Ta=25C, Vdd=3.3V			±5	
Static Discharge Voltage Mil-Std 883, method 3015	2000			V
Supply Current			80	mA
Short Circuit Current		± 50		mA
Jitter				
Period, RMS		4		pS
Period, Peak to Peak		25		pS
Accumulated, RMS		7		pS
Peak to Peak		45		pS
Phase Noise @ 1KHz Offset		-125		dBc/Hz
Output Level:	LVDS			
Packaging:	Tape & Reel			

Notes: Extended exposure exceeding maximum ratings may cause permanent damage and affect reliability. Operation outside of specifications is not supported.



CARDINAL COMPONENTS

CC622V

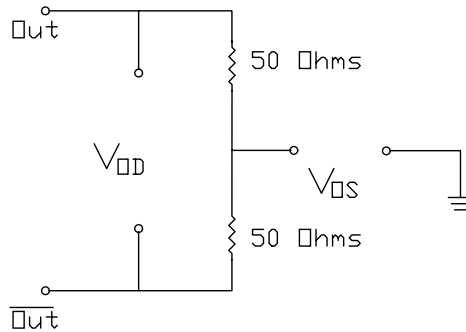


PIN	FUNCTION
1	OE
2	N/C
3	N/C
4	GND
5	LVDS +
6	LVDS -
7	N/C
8	Vdd

DIMENSIONS ARE IN MM

LEVELS TEST CIRCUIT

LVDS Levels Test Circuit



SWITCHING TEST CIRCUIT

LVDS Switching Test Circuit

