

## Excellent Integrated System Limited

Stocking Distributor

Click to view price, real time Inventory, Delivery & Lifecycle Information:

[Hirose Electric Co Ltd](#)  
[DF11-TA2428HC/US-DS](#)

For any questions, you can email us directly:

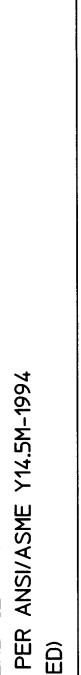
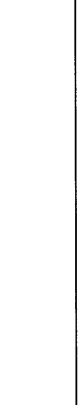
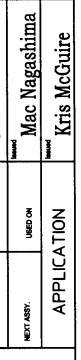
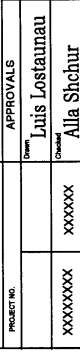
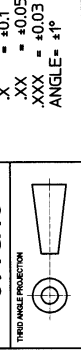
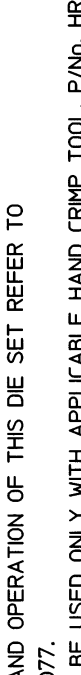
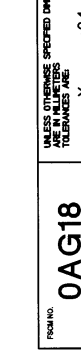
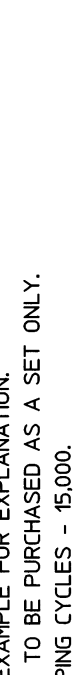
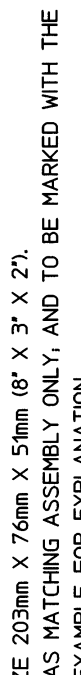
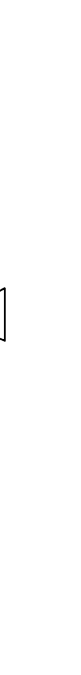
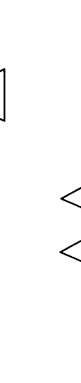
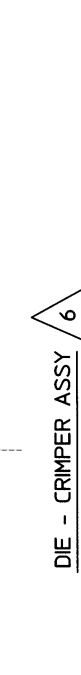
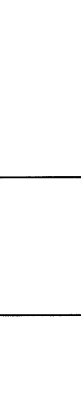
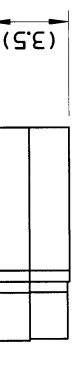
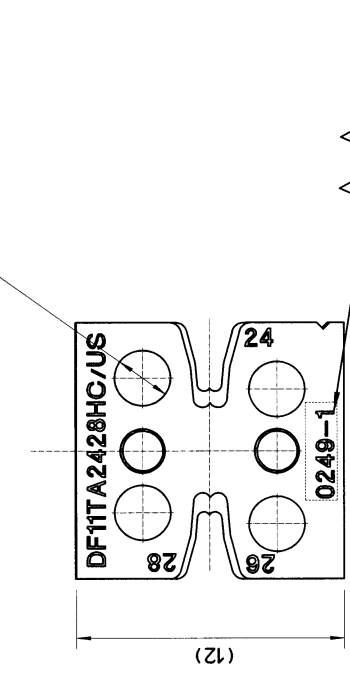
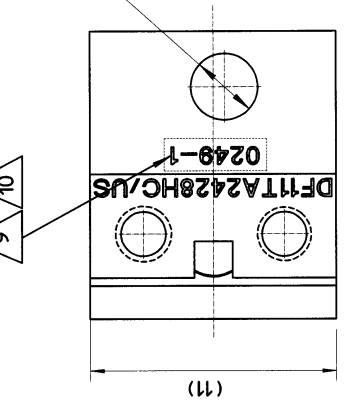
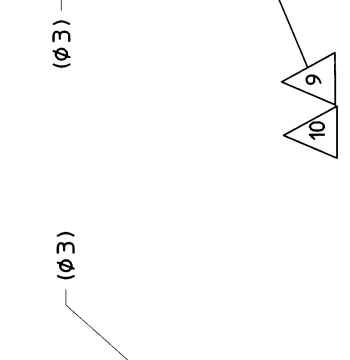
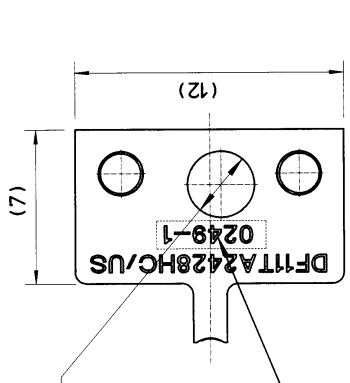
[sales@integrated-circuit.com](mailto:sales@integrated-circuit.com)



DWG NO. DF11-TA2428HC/US-DS SHT. 1 REV. B

ZONE	REV.	DESCRIPTION	DATE	APPROVED
	N/R	NEW RELEASE	2/10/03	KMG
	A	REVISED PER DCN# 0872	5-19-03	A.S
	B	REVISED PER DCN# 0882	6/18/03	M.N

REVISIONS	DATE	APPROVED
	2/10/03	KMG
	5-19-03	A.S
	6/18/03	M.N



CUSTOMER USE DRAWING

		HIROSE ELECTRIC (U.S.A), INC SIMI VALLEY, CALIFORNIA 93065	
PART NUMBER <b>DF11-TA2428HC/US-DS</b>		CL NUMBER <b>5920-8501-2</b>	
APPROVALS Design: Luis Lostaumau Check: Alla Shchur Mfg: Mac Nagashima Mkt: Kris McGuire		DATE 02/06/03 02/06/03 02/07/03 02/10/03	
FROM NO. <b>0AG18</b>		SIZE <b>B</b>	
THIRD ANGLE PROJECTION		DWG NUMBER <b>DF11-TA2428HC/US-DS</b>	
PROJECT NO. XXXXXXXX		REV. <b>B</b>	
MFG/ASBY. USED ON		SCALE N/A	
APPLICATION		SHEET 1 OF 1	

DATE CODE EXPLANATION:  
 0249-1  
 YEAR: 02, WEEK: 49, SET No.: 1

CRIMP BOX, SIZE 203mm X 76mm X 51mm (8" X 3" X 2").  
 ARE SOLD AS MATCHING ASSEMBLY ONLY, AND TO BE MARKED WITH THE SAME DATE CODE.  
 T No., SEE EXAMPLE FOR EXPLANATION.  
 28HC/US-DS TO BE PURCHASED AS A SET ONLY.  
 PER OF CRIMPING CYCLES - 15,000.  
 ALLATION AND OPERATION OF THIS DIE SET REFER TO  
 P/No. PS077.  
 MENDED TO BE USED ONLY WITH APPLICABLE HAND CRIMP TOOL, P/No. HRUS-HT-1,  
 ERMINAL, P/No. DF11-2428SC/SCA.  
 YLE: UL 1007, AWG 24, 26 AND 28.  
 ES:  
 CT STOPPER, SPACER BLOCK AND STOPPER PIN- TOOL STEEL.  
 E FOR REFERENCE ONLY  
 LERANCING PER ANSI/ASME Y14.5M-1994  
 /ISE SPECIFIED)