

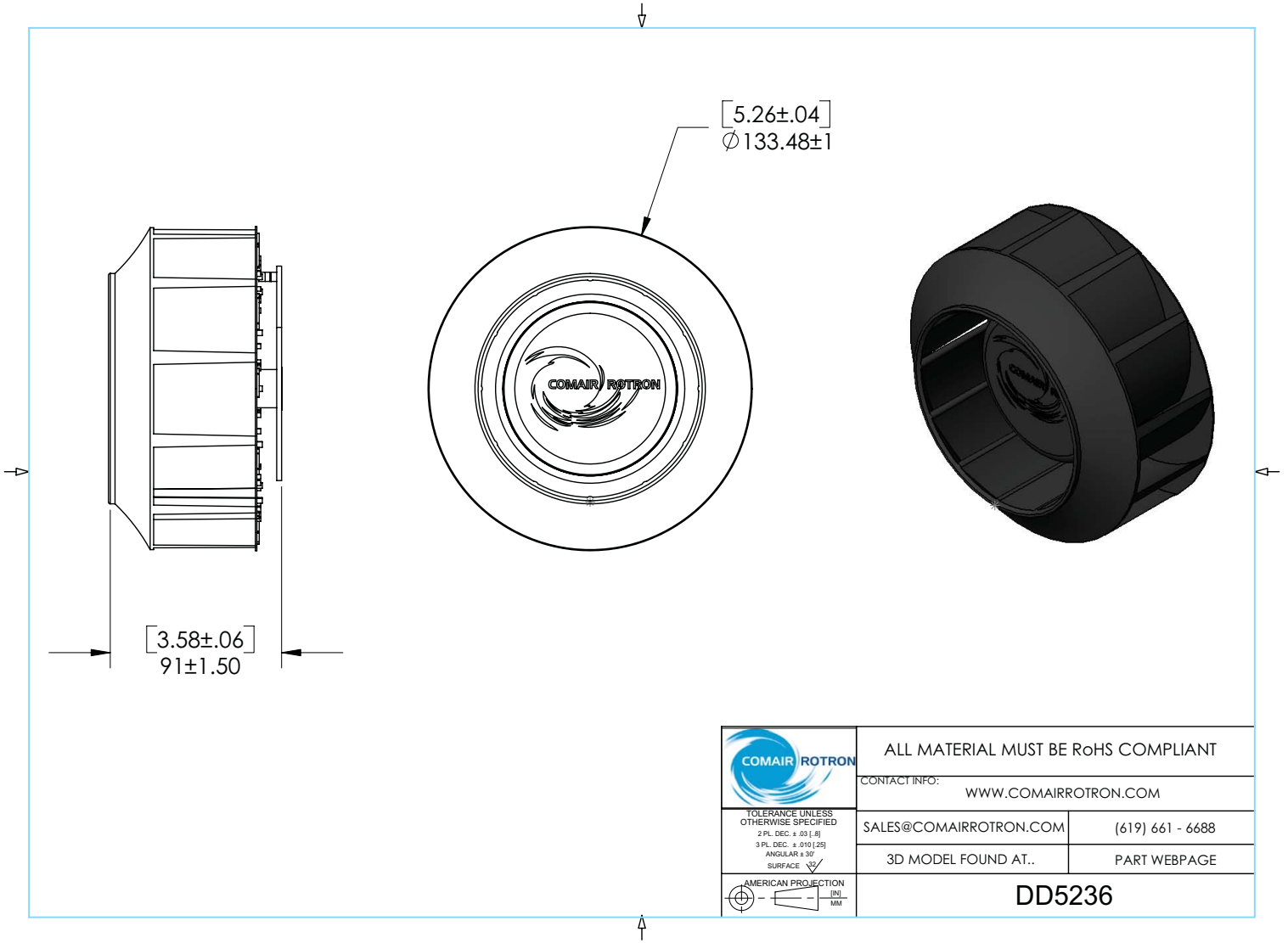
## Excellent Integrated System Limited

Stocking Distributor

Click to view price, real time Inventory, Delivery & Lifecycle Information:

[Comair Rotron](#)  
[19039834A](#)

For any questions, you can email us directly:  
[sales@integrated-circuit.com](mailto:sales@integrated-circuit.com)



|   |  |                  |
|---|--|------------------|
|   | ALL MATERIAL MUST BE RoHS COMPLIANT  |                  |
|   | CONTACT INFO: <a href="http://WWW.COMAIRROTRON.COM">WWW.COMAIRROTRON.COM</a> |                  |
|   | <a href="mailto:SALES@COMAIRROTRON.COM">SALES@COMAIRROTRON.COM</a>           | (619) 661 - 6688 |
|   | 3D MODEL FOUND AT..  | PART WEBPAGE     |
| TOLERANCE UNLESS OTHERWISE SPECIFIED<br>2 PL DEC. ± .03 [ .8]<br>3 PL DEC. ± .010 [ .25]<br>ANGULAR ± .30°<br>SURFACE | <b>DD5236</b>  |                  |
| AMERICAN PROJECTION<br>(IN) / (MM)  |  |                  |