

Excellent Integrated System Limited

Stocking Distributor

Click to view price, real time Inventory, Delivery & Lifecycle Information:

[Tamura](#)
[CMT-02107](#)

For any questions, you can email us directly:
sales@integrated-circuit.com

REV. Status

REVISION -
09/01/99 TS

Common Mode Coil

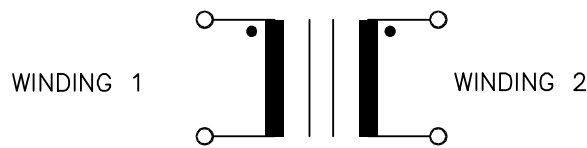
A. Electrical Specifications (@25°C)

1. Rated Voltage; 250VAC 50/60Hz
2. Rated Current; 1A AC
3. Common Mode Inductance (@ 1KHz); 7mH MIN
4. DC Resistance; (each winding) 0.50Ω MAX
6. Insulation Resistance; 100MΩ MIN at 500VDC Winding to Winding, Winding to Core
7. HiPot test; AC 2.0KV 1 minute Winding to Winding, Winding to Core

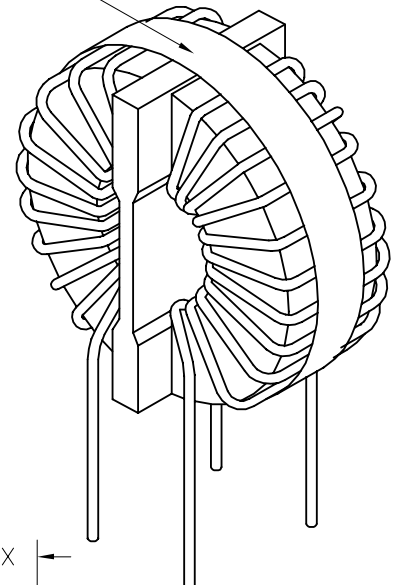
MODEL NUMBER

CMT-02107

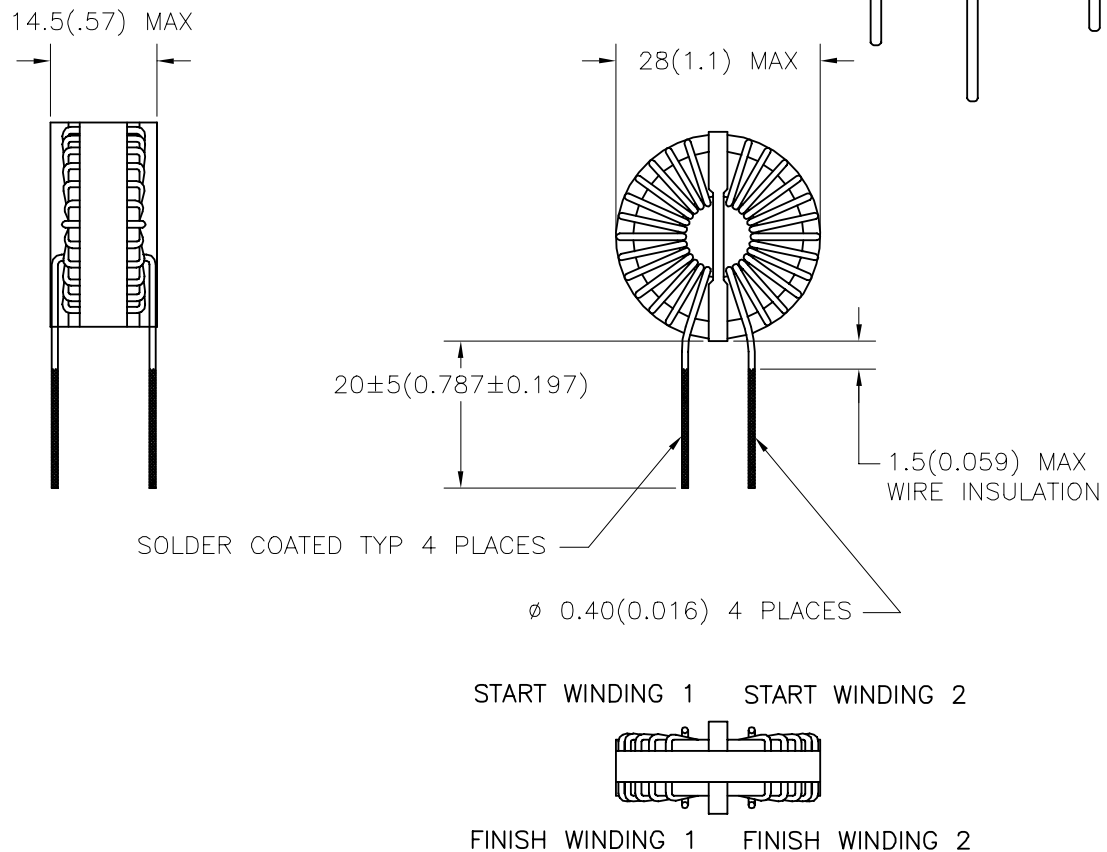
B. Schematic Diagram;



Country of origin



C. Mechanical Specifications;



PREPARED BY:

D. Rund

ENGINEER:

T. Shiozawa

QUALITY CONTROL:

D. Kelley

APPROVED:

D. Kelley

DWG CONTROL NO. REV
P-A4-12222 -
ACAD\MISCX\A4122221.DWG

COIL
COMMON MODE

TAMURA CORPORATION OF AMERICA
43352 BUSINESS PARK DRIVE, TEMECULA, CA. 92590-6624
(909) 699-1270 FAX 9096769482

CMT-02107

MODEL SPECIFICATION
DIM: mm(In) SCL: 1/1 SH: 1 OF 1

PROPRIETARY NOTICE: THIS DRAWING PRINT OR DOCUMENT AND SUBJECT MATTER DISCLOSED HEREIN ARE PROPRIETARY ITEMS TO WHICH TAMURA RETAINS THE EXCLUSIVE RIGHT OF DISSEMINATION, REPRODUCTION, MANUFACTURE AND SALE. THIS DRAWING, PRINT OR DOCUMENT IS SUBMITTED IN CONFIDENCE FOR CONSIDERATION BY THE RECIPIENT ALONE UNLESS PERMISSION FOR FURTHER DISCLOSURE IS EXPRESSLY GRANTED IN WRITING.