

Excellent Integrated System Limited

Stocking Distributor

Click to view price, real time Inventory, Delivery & Lifecycle Information:

[Tamura](#)

[TTC-8120](#)

For any questions, you can email us directly:

sales@integrated-circuit.com

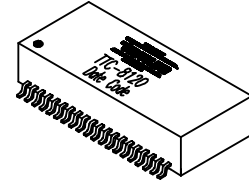
REV. Status

PRELIMINARY
01/09/01 LL



10/100 Base-T QUAD Magnetic Module
Multi Port, 40 pin SMD

- Complies with IEEE 802.3 Standard
- Surface Mount Device withstands IR reflow profile process
- Operating temperature: 0°C to 70°C
- Enhanced Common Mode Attenuation

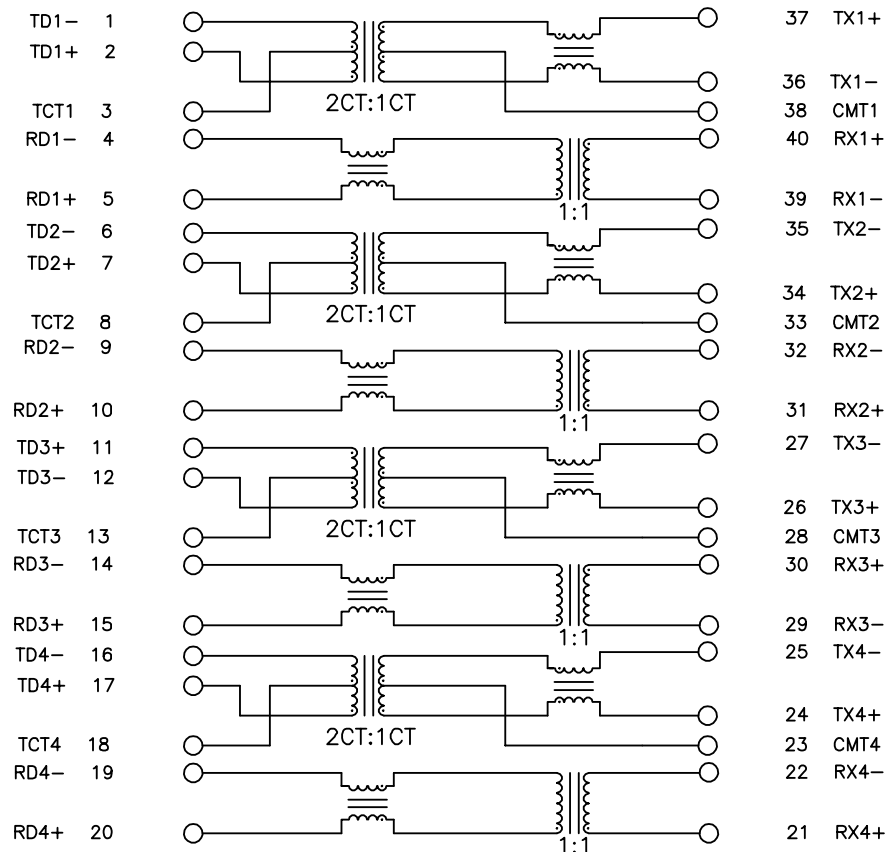


MODEL NUMBER
TTC-8120

PREPARED BY:

Electrical Specification @ 25°C

Insertion Loss (dB Max)	Return Loss (dB Min)		CMRR (dB Min)	Crosstalk (dB Min)	OCL (μH Min)	Hipot (Vrms)	Leakage L (μH Max)	Cww (pF Max)
	0.1-30 MHz	60 MHz						
0.1-100 MHz	0.1-30 MHz	80 MHz	0.1-100 MHz	0.1-100 MHz	8mA DC Bias	60 sec	100KHz	100KHz
-1.1	-18	-14	-35	-35	350	1500	0.5	25



PREPARED BY:

D. Rund

ENGINEER:

L. Le

QUALITY CONTROL:

D. Kelley

APPROVED:

J. Coleman

DWG CONTROL NO.
P-A1-12710
ACAD\TTC\A1127101.DWG

REV
PRE

10/100 Base-T QUAD Magnetic
Module, Multi Port, 40 pin SMD

TAMURA CORPORATION OF AMERICA
 43352 BUSINESS PARK DRIVE, TEMECULA, CA. 92590-6624
 (909) 699-1270 FAX 9096769482

TTC-8120

MODEL SPECIFICATION

DIM: mm(In) SCL: none SH: 1 OF 2

PROPRIETARY NOTICE: THIS DRAWING PRINT OR DOCUMENT AND SUBJECT MATTER DISCLOSED HEREIN ARE PROPRIETARY ITEMS TO WHICH TAMURA RETAINS THE EXCLUSIVE RIGHT OF DISSEMINATION, REPRODUCTION, MANUFACTURE AND SALE. THIS DRAWING, PRINT OR DOCUMENT IS SUBMITTED IN CONFIDENCE FOR CONSIDERATION BY THE RECIPIENT ALONE UNLESS PERMISSION FOR FURTHER DISCLOSURE IS EXPRESSLY GRANTED IN WRITING.

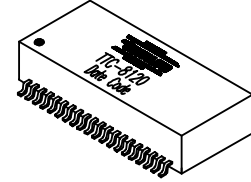
REV. Status

PRELIMINARY
01/09/01 LL

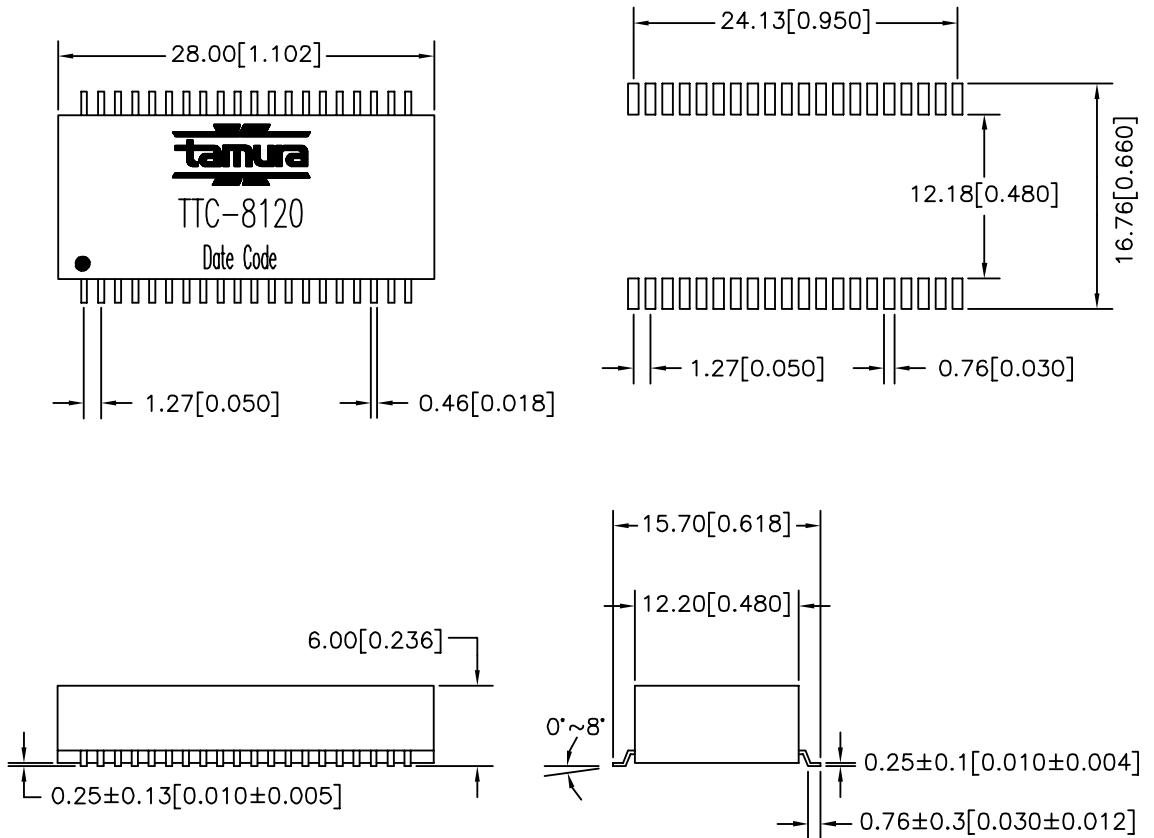


10/100 Base-T QUAD Magnetic Module
Multi Port, 40 pin SMD

MODEL NUMBER
TTC-8120



PRELIMINARY



PREPARED BY:

D. Rund

NOTE: Unless otherwise specified, all dimensions are mm[in] with tolerance of ±0.25[0.010]

ENGINEER:

L. Le

DWG CONTROL NO. P-A1-12710
ACAD\TTC\A1127102.DWG

REV PRE

10/100 Base-T QUAD Magnetic Module, Multi Port, 40 pin SMD

TTC-8120

QUALITY CONTROL:

D. Kelley

CONTENTS OF THIS DRAWING ARE SUBJECT TO CHANGE WITHOUT PRIOR NOTICE

TAMURA CORPORATION OF AMERICA
43352 BUSINESS PARK DRIVE, TEMECULA, CA. 92590-6624
(909) 699-1270 FAX 9096769482

MODEL SPECIFICATION

DIM: mm(in) SCL: none SH: 2 OF 2

APPROVED:

J. Coleman

PROPRIETARY NOTICE: THIS DRAWING PRINT OR DOCUMENT AND SUBJECT MATTER DISCLOSED HEREIN ARE PROPRIETARY ITEMS TO WHICH TAMURA RETAINS THE EXCLUSIVE RIGHT OF DISSEMINATION, REPRODUCTION, MANUFACTURE AND SALE. THIS DRAWING, PRINT OR DOCUMENT IS SUBMITTED IN CONFIDENCE FOR CONSIDERATION BY THE RECIPIENT ALONE UNLESS PERMISSION FOR FURTHER DISCLOSURE IS EXPRESSLY GRANTED IN WRITING.