

Excellent Integrated System Limited

Stocking Distributor

Click to view price, real time Inventory, Delivery & Lifecycle Information:

[Tamura](#)

[TTC-8128](#)

For any questions, you can email us directly:

sales@integrated-circuit.com

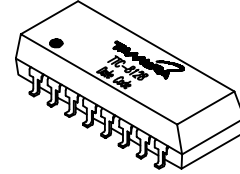
REV. Status

PRELIMINARY 11/13/00 BT
PRELIMINARY 1 CHANGED PIN STYLE 11/17/00 LL
PRELIMINARY 2 CHANGED ELECTRICAL SPECIFICATION, SCHEMATIC, AND LOGO. 05/29/01 LL
PRELIMINARY 3 CHANGED INSERTION LOSS RANGE, AND COMMON MODE REJ. RATIO. 08/07/01 LL



10 Base-T LAN Magnetic Module
Single Port, 16 pin SMD

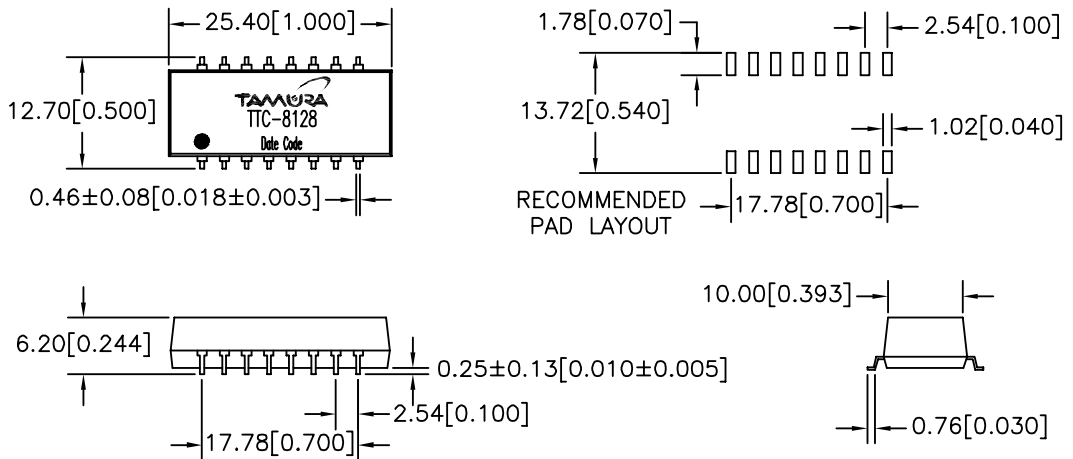
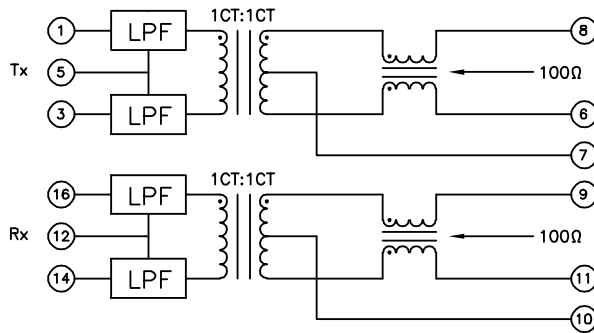
- Complies with IEEE 802.3 Standard
- Surface Mount Device withstands IR reflow profile process
- Operating temperature: 0°C to 70°C
- Enhanced Common Mode Attenuation



MODEL NUMBER
TTC-8128

Electrical Specification @ 25°C

Insertion Loss (dB Max)	Attenuation (dB Min)				Return Loss (dB Min)		Common Mode Rejection Ratio (dB Min)		Crosstalk (dB Min)	Hipot (Vrms)
	20 MHz	25 MHz	30 MHz	40 MHz	5-10MHz (100Ω)	5-10MHz (98±13Ω)	5-100 MHz	100-200 MHz		
0.1-10 MHz	20 MHz	25 MHz	30 MHz	40 MHz	5-10MHz (100Ω)	5-10MHz (98±13Ω)	5-100 MHz	100-200 MHz	5-10 MHz	60 sec
-1	-5	-11	-16	-26	-18	-15	-40	-30	-35	1500



PREPARED BY:

D. Rund

NOTE: Unless otherwise specified, all dimensions are mm[in] with tolerance of ±0.25[0.010]

ENGINEER:

L. Le

DWG CONTROL NO. P-A1-12649 ACAD\TTC\A1126491.DWG	REV PR3	10 Base-T LAN Magnetic Module Single Port, 16 pin SMD
--	-------------------	--

TTC-8128

QUALITY CONTROL:

D. Kelley

CONTENTS OF THIS DRAWING ARE SUBJECT TO CHANGE WITHOUT PRIOR NOTICE

TAMURA CORPORATION OF AMERICA
 43352 BUSINESS PARK DRIVE, TEMECULA, CA. 92590-6624
 (909) 699-1270 FAX 9096769482

MODEL SPECIFICATION		
DIM: mm(in)	SCL: none	SH: 1 OF 1

APPROVED:

J. Coleman

PROPRIETARY NOTICE: THIS DRAWING PRINT OR DOCUMENT AND SUBJECT MATTER DISCLOSED HEREIN ARE PROPRIETARY ITEMS TO WHICH TAMURA RETAINS THE EXCLUSIVE RIGHT OF DISSEMINATION, REPRODUCTION, MANUFACTURE AND SALE. THIS DRAWING, PRINT OR DOCUMENT IS SUBMITTED IN CONFIDENCE FOR CONSIDERATION BY THE RECIPIENT ALONE UNLESS PERMISSION FOR FURTHER DISCLOSURE IS EXPRESSLY GRANTED IN WRITING.