

Excellent Integrated System Limited

Stocking Distributor

Click to view price, real time Inventory, Delivery & Lifecycle Information:

[Tamura](#)

[TTC-8142](#)

For any questions, you can email us directly:

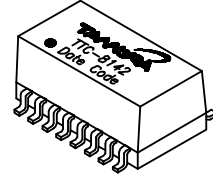
sales@integrated-circuit.com

REV. Status
 PRELIMINARY - 03/12/01 LL
 PRELIMINARY 1 CHANGED MECHANICAL SPECIFICATION. 07/16/01 LL
 PRELIMINARY 2 ADDED TOLERANCE & NEW LOGO. 01/22/02 LL



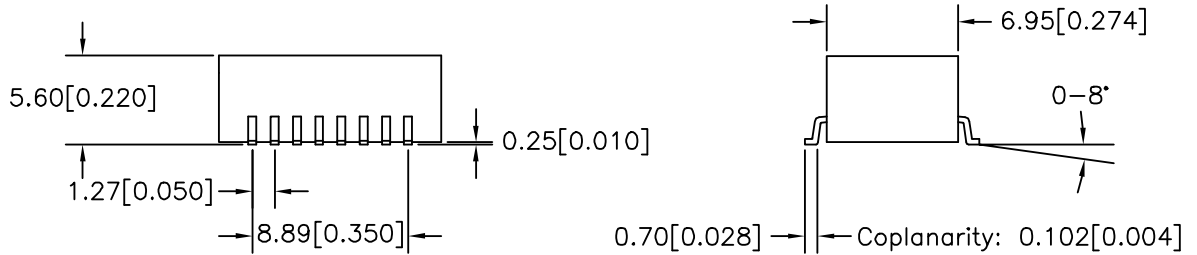
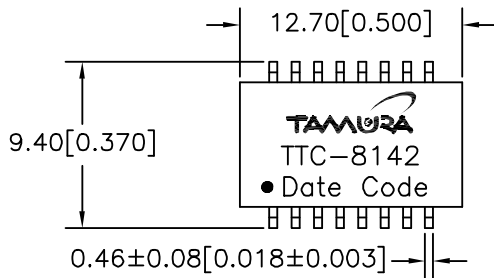
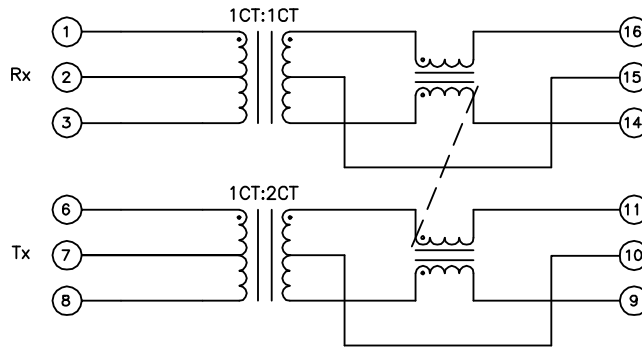
10 Base-T LAN Magnetic Module Single Port, 16 pin SMD

- Complies with IEEE 802.3 Standard
- Surface Mount Device withstands IR reflow profile process
- Enhanced Common Mode Attenuation



MODEL NUMBER
TTC-8142

Electrical Specification @ 25°C					
DCR (Ω Max)	OCL (μH Min)		Hipot (Vrms)	Leakage L (μH Max)	Cww (pF Max)
(1-3), (6-8)	100KHz 0.1Vrms (1-3)	100KHz 0.1Vrms (6-8)	60 sec	100KHz 0.1Vrms	100KHz 0.1Vrms
0.3	140	25	1500	0.4	15



PREPARED BY:

D. Rund

Note: Unless otherwise specified, all dimensions are mm[in] with tolerance of ±0.25[0.010]

ENGINEER:

L. Le

DWG CONTROL NO. P-A1-12748
 ACAD\TTC\A1127481.DWG

REV PR2

10 BASE-T LAN5 MAGNETIC MODULE
SINGLE PORT, 16 PIN SMD

TTC-8142

QUALITY CONTROL:

D. Kelley

CONTENTS OF THIS DRAWING ARE SUBJECT TO CHANGE WITHOUT PRIOR NOTICE

TAMURA CORPORATION OF AMERICA
 43352 BUSINESS PARK DRIVE, TEMECULA, CA. 92590-6624
 (909) 699-1270 FAX 9096769482

MODEL SPECIFICATION

DIM: MM[IN] SCL: NONE SH: 1 OF 1

APPROVED:

J. Coleman

PROPRIETARY NOTICE: THIS DRAWING PRINT OR DOCUMENT AND SUBJECT MATTER DISCLOSED HEREIN ARE PROPRIETARY ITEMS TO WHICH TAMURA RETAINS THE EXCLUSIVE RIGHT OF DISSEMINATION, REPRODUCTION, MANUFACTURE AND SALE. THIS DRAWING, PRINT OR DOCUMENT IS SUBMITTED IN CONFIDENCE FOR CONSIDERATION BY THE RECIPIENT ALONE UNLESS PERMISSION FOR FURTHER DISCLOSURE IS EXPRESSLY GRANTED IN WRITING.