

Excellent Integrated System Limited

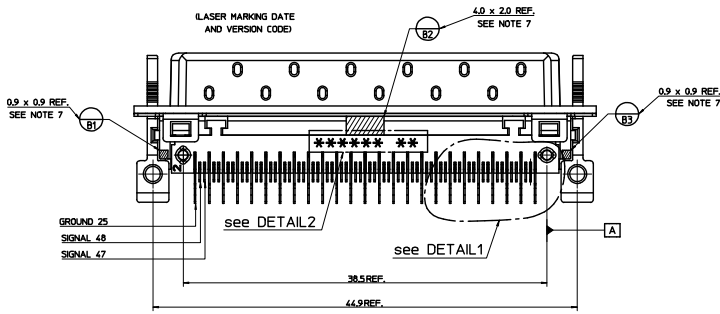
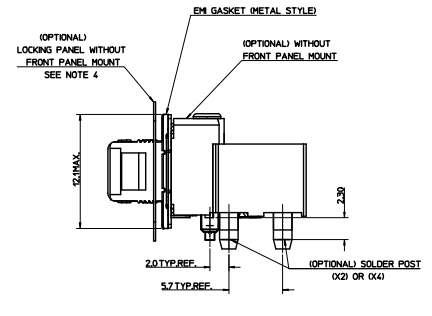
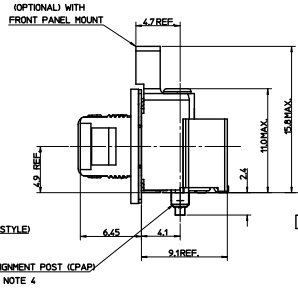
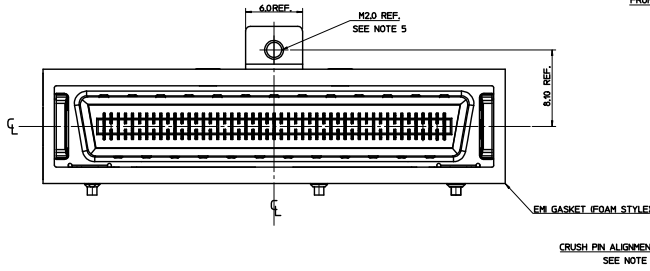
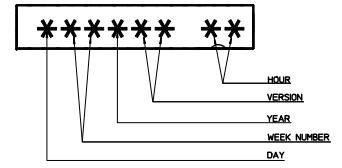
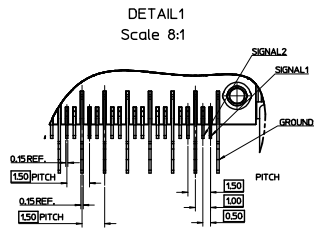
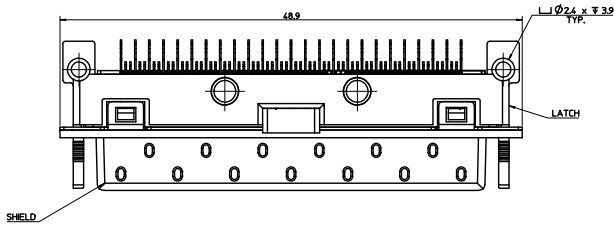
Stocking Distributor

Click to view price, real time Inventory, Delivery & Lifecycle Information:

[Molex Connector Corporation](#)
[91525-1210](#)

For any questions, you can email us directly:

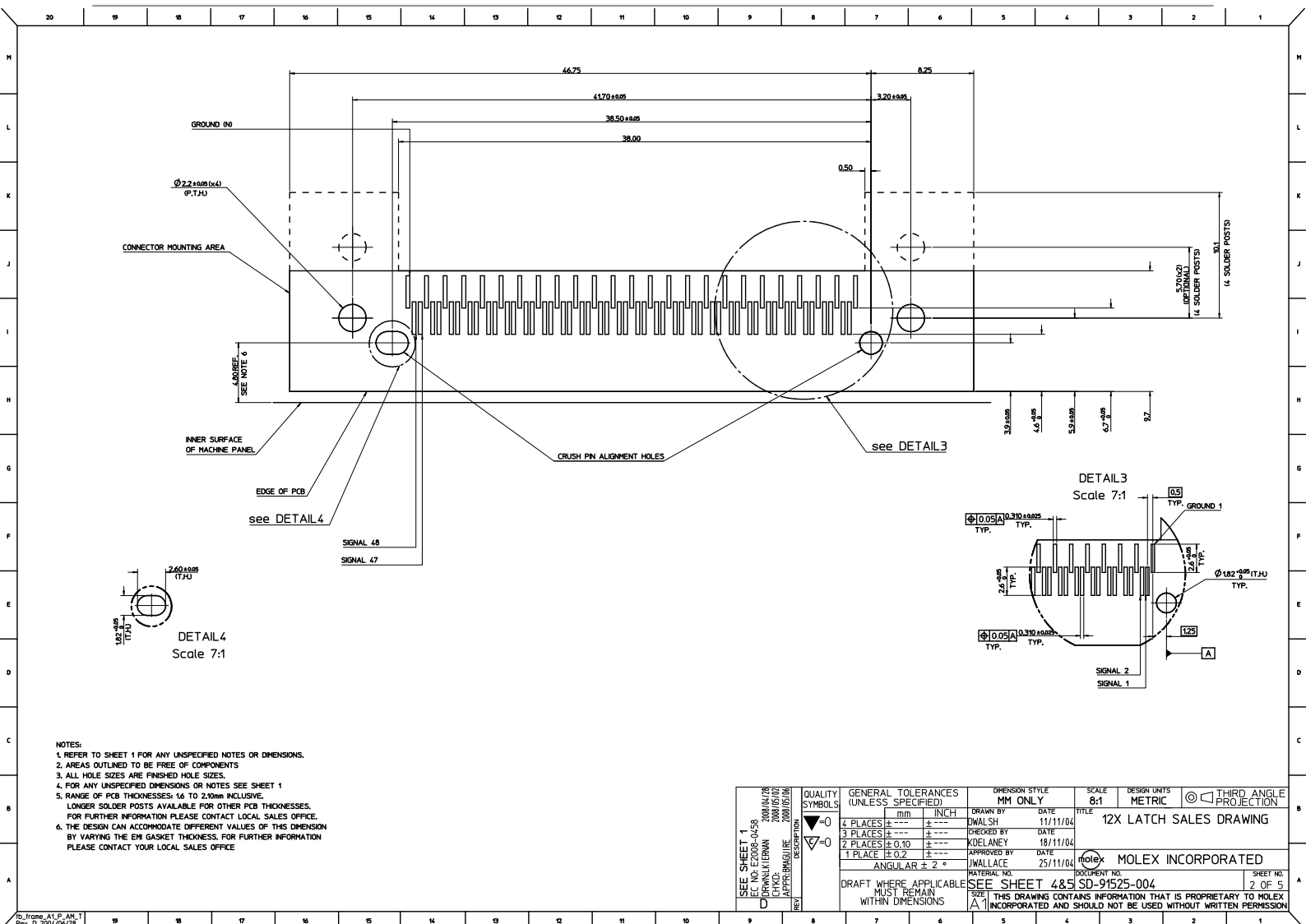
sales@integrated-circuit.com



NOTES:

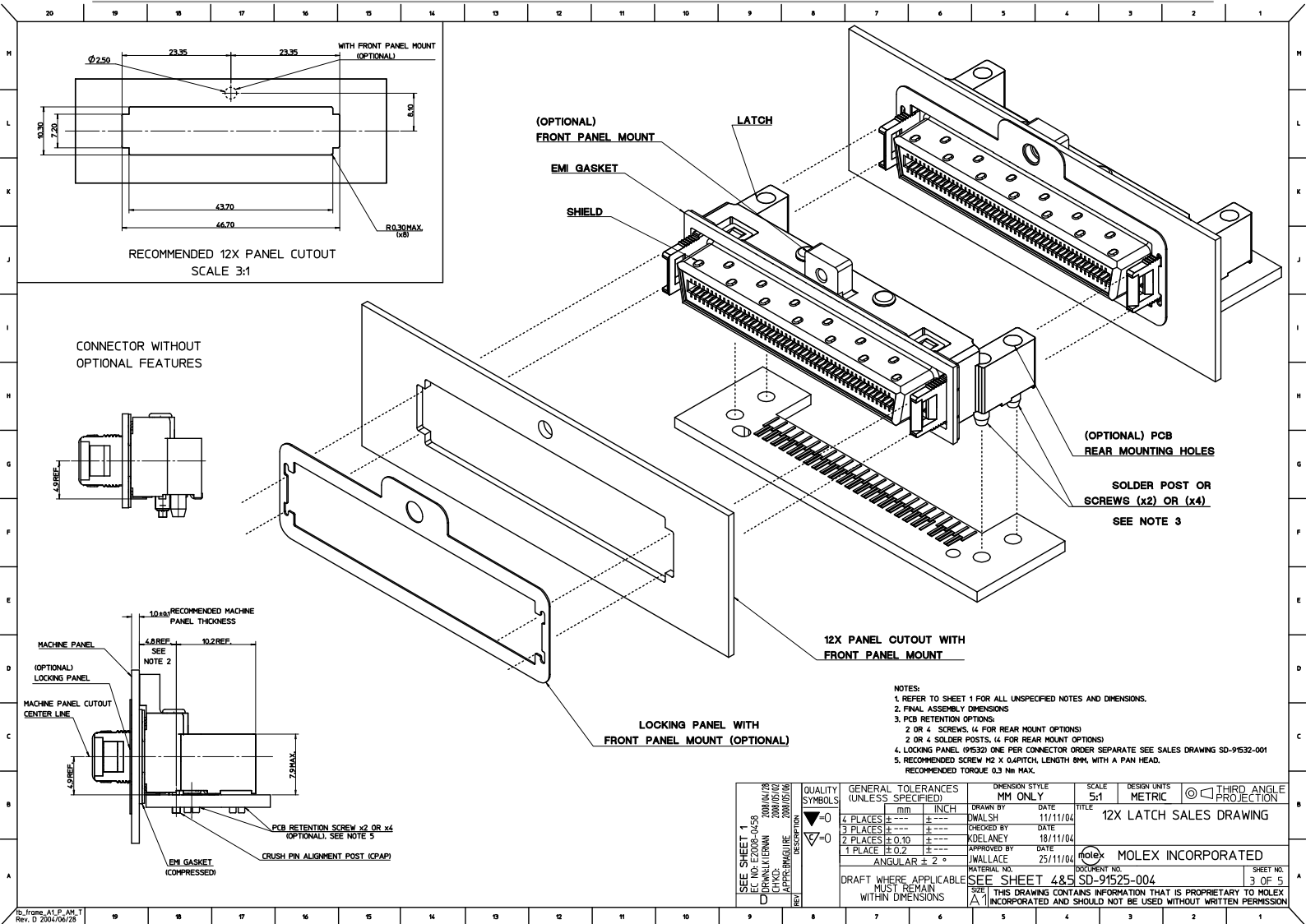
1. PRODUCT SPECIFICATION PS-91525-001
2. PACKAGING SPECIFICATION PK-91903-001
3. SCREW THREAD M2.0 X 0.4 PITCH TAPPED THROUGH, RECOMMENDED SCREW M2 X 0.4 PITCH LENGTH 8mm, WITH A PAN HEAD, RECOMMENDED TORQUE 0.3Nm MAX.
4. CPAP USED TO ALIGN THE SOLDER TAILS WITH THE SOLDER PADS
5. SCREW THREAD M2.0 X 0.4 PITCH TAPPED THROUGH, RECOMMENDED SCREW M2 X 0.4 PITCH LENGTH 5mm, WITH A PAN HEAD, RECOMMENDED TORQUE 0.3Nm MAX.
6. RECEPTACLE CONTACTS 127µm MIN GOLD OVER 0.76µm MIN PALLADIUM NICKEL CONTACT AREA 0.10 µm MIN GOLD OVER 0.76µm MIN PALLADIUM NICKEL SMT AREA 3µm MIN TIN.
7. PCB DATUM B = B1 + B2 + B3
8. PCB RETENTION OPTIONS:
2 OR 4 SCREWS. 4 FOR REAR MOUNT OPTION.
2 OR 4 SOLDER POSTS. 4 FOR REAR MOUNT OPTION.
9. LOCKING PANEL (P1532) ONE PER CONNECTOR ORDER SEPARATELY. SEE SALES DRAWING SD-91532-001
9. FOR 4X PARTS PLEASE REFER TO SD-91804-001 (FOAM GASKET) AND SD-91804-003 (METAL GASKET)

MOD TO SUB HOUSING EC NO. E2008-0458 2008/04/28 DRINKALIKERMAN 2008/05/02 CHKD APPROVED 2008/05/06 REV	QUALITY SYMBOLS	GENERAL TOLERANCES (UNLESS SPECIFIED)	DIMENSION STYLE	SCALE	DESIGN UNITS	THIRD ANGLE PROJECTION
	▽=0	mm INCH	MM ONLY	5:1	METRIC	☉
	4 PLACES ± 0.10	± 0.10	DRAWN BY	DATE	TITLE	
	3 PLACES ± 0.2	± 0.2	DUAL SH	11/11/04	12X LATCH SALES DRAWING	
		1 PLACE ± 0.2	± 0.2	CHECKED BY	DATE	
		ANGULAR ± 2°	± 2°	KDELANEY	18/11/04	
				APPROVED BY	DATE	
				JWALLACE	25/11/04	
				REVISION NO.	DOCUMENT NO.	
				SEE SHEET 4&5	SD-91525-004	
				DRAFT WHERE APPLICABLE MUST REMAIN WITHIN DIMENSIONS		
				THIS DRAWING CONTAINS INFORMATION THAT IS PROPRIETARY TO MOLEX INCORPORATED AND SHOULD NOT BE USED WITHOUT WRITTEN PERMISSION		
						SHEET NO. 1 OF 5



NOTES:
 1. REFER TO SHEET 1 FOR ANY UNSPECIFIED NOTES OR DIMENSIONS.
 2. AREAS OUTLINED TO BE FREE OF COMPONENTS
 3. ALL HOLE SIZES ARE FINISHED HOLE SIZES.
 4. FOR ANY UNSPECIFIED DIMENSIONS OR NOTES SEE SHEET 1
 5. RANGE OF PCB THICKNESSES: 16 TO 2.0mm INCLUSIVE.
 LONGER SOLDER POSTS AVAILABLE FOR OTHER PCB THICKNESSES.
 FOR FURTHER INFORMATION PLEASE CONTACT LOCAL SALES OFFICE.
 6. THE DESIGN CAN ACCOMMODATE DIFFERENT VALUES OF THIS DIMENSION
 BY VARYING THE EM GASKET THICKNESS. FOR FURTHER INFORMATION
 PLEASE CONTACT YOUR LOCAL SALES OFFICE

SEE SHEET 1 EC NO. E2008-0458 2008/04/28 DRINKALIKERMAN 2008/05/02 CHKD. APPROVED 2008/05/06 (REV)	QUALITY SYMBOLS	GENERAL TOLERANCES (UNLESS SPECIFIED)	DIMENSION STYLE	SCALE	DESIGN UNITS	THIRD ANGLE PROJECTION
	▽=0	mm INCH	MM ONLY	8:1	METRIC	
	▽=0	4 PLACES ± --- ± ---	DRAWN BY	DATE	TITLE	
	▽=0	3 PLACES ± 0.10 ± ---	DUAL SH	11/11/04	12X LATCH SALES DRAWING	
	2 PLACES ± 0.2 ± ---	KDELANEY	DATE			
	1 PLACE ± 0.2 ± ---	APPROVED BY	DATE			
	ANGULAR ± 2 °	JWALLACE	25/11/04			
	DRAFT WHERE APPLICABLE MUST REMAIN WITHIN DIMENSIONS	PATERIAL NO.	DOCUMENT NO.	MOLEX INCORPORATED		
		SEE SHEET 4&5 SD-91525-004		SHEET NO. 2 OF 5		
				THIS DRAWING CONTAINS INFORMATION THAT IS PROPRIETARY TO MOLEX INCORPORATED AND SHOULD NOT BE USED WITHOUT WRITTEN PERMISSION		



- NOTES:
1. REFER TO SHEET 1 FOR ALL UNSPECIFIED NOTES AND DIMENSIONS.
 2. FINAL ASSEMBLY DIMENSIONS
 3. PCB RETENTION OPTIONS:
2 OR 4 SCREWS, (4 FOR REAR MOUNT OPTIONS)
 - 2 OR 4 SOLDER POSTS, (4 FOR REAR MOUNT OPTIONS)
 4. LOCKING PANEL (91525) ONE PER CONNECTOR ORDER SEPARATE SEE SALES DRAWING SD-9152-001
 5. RECOMMENDED SCREW M2 X 0.4 PITCH, LENGTH 8MM, WITH A PAN HEAD.
RECOMMENDED TORQUE 0.3 Nm MAX.

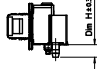
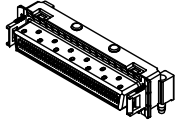
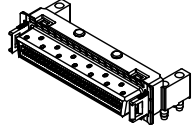
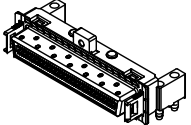
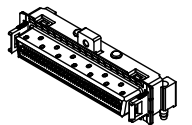
SEE SHEET 1 EC NO. E2008-0458 2008/04/28 DRAWN BY: LERMAN 2008/05/02 CHECKED: APPROVED BY: 2008/05/08 DESIGNED BY:	QUALITY SYMBOLS	GENERAL TOLERANCES (UNLESS SPECIFIED)	DIMENSION STYLE	SCALE	DESIGN UNITS	THIRD ANGLE PROJECTION	
	4 PLACES ± 0.10 3 PLACES ± 0.15 2 PLACES ± 0.20 1 PLACE ± 0.25	mm INCH ± 0.10 ± 0.004 ± 0.15 ± 0.006 ± 0.20 ± 0.008 ± 0.25 ± 0.010	MM ONLY	5:1	METRIC	DRAWN BY: DWALSH 11/11/04 CHECKED BY: KDELANEY 18/11/04 APPROVED BY: J WALLACE 25/11/04	TITLE: 12X LATCH SALES DRAWING REFERENCE NO.: DOCUMENT NO.: SD-91525-004 SHEET NO.: 3 OF 5
	DRAFT WHERE APPLICABLE MUST REMAIN WITHIN DIMENSIONS	SEE SHEET 4 & 5 THIS DRAWING CONTAINS INFORMATION THAT IS PROPRIETARY TO MOLEX INCORPORATED AND SHOULD NOT BE USED WITHOUT WRITTEN PERMISSION	MOLEX INCORPORATED				

<table border="1" style="width:100%; border-collapse: collapse;"> <tr><td colspan="2">12 LATCH I/O</td></tr> <tr><td>REAR MOUNTS</td><td>NO</td></tr> <tr><td>PANEL MOUNTS</td><td>NO</td></tr> <tr><td>SOLDER POSTS</td><td>NO</td></tr> </table> <table border="1" style="width:100%; border-collapse: collapse; margin-top: 10px;"> <tr><th>PART NO.</th><th>PACKAGING</th></tr> <tr><td>91525-1210</td><td>TRAY</td></tr> <tr><td>91525-8210</td><td>TAPE AND REEL</td></tr> </table>	12 LATCH I/O		REAR MOUNTS	NO	PANEL MOUNTS	NO	SOLDER POSTS	NO	PART NO.	PACKAGING	91525-1210	TRAY	91525-8210	TAPE AND REEL	<table border="1" style="width:100%; border-collapse: collapse;"> <tr><td colspan="2">12 LATCH I/O</td></tr> <tr><td>REAR MOUNTS</td><td>YES</td></tr> <tr><td>PANEL MOUNTS</td><td>NO</td></tr> <tr><td>SOLDER POSTS</td><td>NO</td></tr> </table> <table border="1" style="width:100%; border-collapse: collapse; margin-top: 10px;"> <tr><th>PART NO.</th><th>PACKAGING</th></tr> <tr><td>91525-1212</td><td>TRAY</td></tr> <tr><td>91525-8212</td><td>TAPE AND REEL</td></tr> </table>	12 LATCH I/O		REAR MOUNTS	YES	PANEL MOUNTS	NO	SOLDER POSTS	NO	PART NO.	PACKAGING	91525-1212	TRAY	91525-8212	TAPE AND REEL	<table border="1" style="width:100%; border-collapse: collapse;"> <tr><td colspan="2">12 LATCH I/O</td></tr> <tr><td>REAR MOUNTS</td><td>YES</td></tr> <tr><td>PANEL MOUNTS</td><td>YES</td></tr> <tr><td>SOLDER POSTS</td><td>NO</td></tr> </table> <table border="1" style="width:100%; border-collapse: collapse; margin-top: 10px;"> <tr><th>PART NO.</th><th>PACKAGING</th></tr> <tr><td>91525-1214</td><td>TRAY</td></tr> <tr><td>91525-8214</td><td>TAPE AND REEL</td></tr> </table>	12 LATCH I/O		REAR MOUNTS	YES	PANEL MOUNTS	YES	SOLDER POSTS	NO	PART NO.	PACKAGING	91525-1214	TRAY	91525-8214	TAPE AND REEL	<table border="1" style="width:100%; border-collapse: collapse;"> <tr><td colspan="2">12 LATCH I/O</td></tr> <tr><td>REAR MOUNTS</td><td>NO</td></tr> <tr><td>PANEL MOUNTS</td><td>YES</td></tr> <tr><td>SOLDER POSTS</td><td>NO</td></tr> </table> <table border="1" style="width:100%; border-collapse: collapse; margin-top: 10px;"> <tr><th>PART NO.</th><th>PACKAGING</th></tr> <tr><td>91525-1216</td><td>TRAY</td></tr> <tr><td>91525-8216</td><td>TAPE AND REEL</td></tr> </table>	12 LATCH I/O		REAR MOUNTS	NO	PANEL MOUNTS	YES	SOLDER POSTS	NO	PART NO.	PACKAGING	91525-1216	TRAY	91525-8216	TAPE AND REEL
12 LATCH I/O																																																											
REAR MOUNTS	NO																																																										
PANEL MOUNTS	NO																																																										
SOLDER POSTS	NO																																																										
PART NO.	PACKAGING																																																										
91525-1210	TRAY																																																										
91525-8210	TAPE AND REEL																																																										
12 LATCH I/O																																																											
REAR MOUNTS	YES																																																										
PANEL MOUNTS	NO																																																										
SOLDER POSTS	NO																																																										
PART NO.	PACKAGING																																																										
91525-1212	TRAY																																																										
91525-8212	TAPE AND REEL																																																										
12 LATCH I/O																																																											
REAR MOUNTS	YES																																																										
PANEL MOUNTS	YES																																																										
SOLDER POSTS	NO																																																										
PART NO.	PACKAGING																																																										
91525-1214	TRAY																																																										
91525-8214	TAPE AND REEL																																																										
12 LATCH I/O																																																											
REAR MOUNTS	NO																																																										
PANEL MOUNTS	YES																																																										
SOLDER POSTS	NO																																																										
PART NO.	PACKAGING																																																										
91525-1216	TRAY																																																										
91525-8216	TAPE AND REEL																																																										

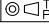
<table border="1" style="width:100%; border-collapse: collapse;"> <tr><td colspan="2">12 LATCH I/O</td></tr> <tr><td>REAR MOUNTS</td><td>NO</td></tr> <tr><td>PANEL MOUNTS</td><td>NO</td></tr> <tr><td>SOLDER POSTS</td><td>2</td></tr> </table> <table border="1" style="width:100%; border-collapse: collapse; margin-top: 10px;"> <tr><th>PART NO.</th><th>PACKAGING</th></tr> <tr><td>91525-1250</td><td>TRAY</td></tr> <tr><td>91525-8250</td><td>TAPE AND REEL</td></tr> </table>	12 LATCH I/O		REAR MOUNTS	NO	PANEL MOUNTS	NO	SOLDER POSTS	2	PART NO.	PACKAGING	91525-1250	TRAY	91525-8250	TAPE AND REEL	<table border="1" style="width:100%; border-collapse: collapse;"> <tr><td colspan="2">12 LATCH I/O</td></tr> <tr><td>REAR MOUNTS</td><td>YES</td></tr> <tr><td>PANEL MOUNTS</td><td>NO</td></tr> <tr><td>SOLDER POSTS</td><td>4</td></tr> </table> <table border="1" style="width:100%; border-collapse: collapse; margin-top: 10px;"> <tr><th>PART NO.</th><th>PACKAGING</th></tr> <tr><td>91525-1252</td><td>TRAY</td></tr> <tr><td>91525-8252</td><td>TAPE AND REEL</td></tr> </table>	12 LATCH I/O		REAR MOUNTS	YES	PANEL MOUNTS	NO	SOLDER POSTS	4	PART NO.	PACKAGING	91525-1252	TRAY	91525-8252	TAPE AND REEL	<table border="1" style="width:100%; border-collapse: collapse;"> <tr><td colspan="2">12 LATCH I/O</td></tr> <tr><td>REAR MOUNTS</td><td>YES</td></tr> <tr><td>PANEL MOUNTS</td><td>YES</td></tr> <tr><td>SOLDER POSTS</td><td>4</td></tr> </table> <table border="1" style="width:100%; border-collapse: collapse; margin-top: 10px;"> <tr><th>PART NO.</th><th>PACKAGING</th></tr> <tr><td>91525-1254</td><td>TRAY</td></tr> <tr><td>91525-8254</td><td>TAPE AND REEL</td></tr> </table>	12 LATCH I/O		REAR MOUNTS	YES	PANEL MOUNTS	YES	SOLDER POSTS	4	PART NO.	PACKAGING	91525-1254	TRAY	91525-8254	TAPE AND REEL	<table border="1" style="width:100%; border-collapse: collapse;"> <tr><td colspan="2">12 LATCH I/O</td></tr> <tr><td>REAR MOUNTS</td><td>NO</td></tr> <tr><td>PANEL MOUNTS</td><td>YES</td></tr> <tr><td>SOLDER POSTS</td><td>2</td></tr> </table> <table border="1" style="width:100%; border-collapse: collapse; margin-top: 10px;"> <tr><th>PART NO.</th><th>PACKAGING</th></tr> <tr><td>91525-1256</td><td>TRAY</td></tr> <tr><td>91525-8256</td><td>TAPE AND REEL</td></tr> </table>	12 LATCH I/O		REAR MOUNTS	NO	PANEL MOUNTS	YES	SOLDER POSTS	2	PART NO.	PACKAGING	91525-1256	TRAY	91525-8256	TAPE AND REEL
12 LATCH I/O																																																											
REAR MOUNTS	NO																																																										
PANEL MOUNTS	NO																																																										
SOLDER POSTS	2																																																										
PART NO.	PACKAGING																																																										
91525-1250	TRAY																																																										
91525-8250	TAPE AND REEL																																																										
12 LATCH I/O																																																											
REAR MOUNTS	YES																																																										
PANEL MOUNTS	NO																																																										
SOLDER POSTS	4																																																										
PART NO.	PACKAGING																																																										
91525-1252	TRAY																																																										
91525-8252	TAPE AND REEL																																																										
12 LATCH I/O																																																											
REAR MOUNTS	YES																																																										
PANEL MOUNTS	YES																																																										
SOLDER POSTS	4																																																										
PART NO.	PACKAGING																																																										
91525-1254	TRAY																																																										
91525-8254	TAPE AND REEL																																																										
12 LATCH I/O																																																											
REAR MOUNTS	NO																																																										
PANEL MOUNTS	YES																																																										
SOLDER POSTS	2																																																										
PART NO.	PACKAGING																																																										
91525-1256	TRAY																																																										
91525-8256	TAPE AND REEL																																																										

<p>NOTES:</p> <ol style="list-style-type: none"> REFER TO SHEET 1 FOR ALL UNSPECIFIED NOTES AND DIMENSIONS. REFER TO SHEET 2 FOR PCB LAYOUT REFER TO SHEET 3 FOR OPTIONAL ASSEMBLY COMPONENTS AND DIMENSIONS. FOR 4X PARTS WITH FOAM GASKET PLEASE REFER TO SD-91804-001 	<p>QUALITY SYMBOLS</p> <p>SEE SHEET 1 EC NO. E2008-0458 DRAWN BY: L. ERMAN CHKD: [Signature] APPROVED: [Signature]</p>	<p>GENERAL TOLERANCES (UNLESS SPECIFIED)</p> <table border="1" style="width:100%; border-collapse: collapse;"> <tr><th></th><th>mm</th><th>INCH</th></tr> <tr><td>4 PLACES</td><td>±.005</td><td>±.0002</td></tr> <tr><td>3 PLACES</td><td>±.008</td><td>±.0003</td></tr> <tr><td>2 PLACES</td><td>±.010</td><td>±.0004</td></tr> <tr><td>1 PLACE</td><td>±.02</td><td>±.0008</td></tr> <tr><td colspan="3">ANGULAR ± 2°</td></tr> </table> <p>DRAFT WHERE APPLICABLE MUST REMAIN WITHIN DIMENSIONS</p>		mm	INCH	4 PLACES	±.005	±.0002	3 PLACES	±.008	±.0003	2 PLACES	±.010	±.0004	1 PLACE	±.02	±.0008	ANGULAR ± 2°			<p>DIMENSION STYLE: MM ONLY</p> <p>SCALE: 2.5:1</p> <p>DESIGN UNITS: METRIC</p> <p>THIRD ANGLE PROJECTION</p>	<p>TITLE: 12X LATCH SALES DRAWING</p> <p>MOLEX INCORPORATED</p> <p>DOCUMENT NO. SD-91525-004</p> <p>SHEET NO. 4 OF 5</p> <p>THIS DRAWING CONTAINS INFORMATION THAT IS PROPRIETARY TO MOLEX INCORPORATED AND SHOULD NOT BE USED WITHOUT WRITTEN PERMISSION</p>
	mm	INCH																				
4 PLACES	±.005	±.0002																				
3 PLACES	±.008	±.0003																				
2 PLACES	±.010	±.0004																				
1 PLACE	±.02	±.0008																				
ANGULAR ± 2°																						

METAL GASKET AND SOLDER POST LENGTH OPTIONS

	PACKAGING				
	NO SOLDER POSTS	TRAY TAPE & REEL	91525-1211 91525-8211	91525-1213 91525-8213	91525-1215 91525-8215
Dim H = 2.3	TRAY	91525-1251	91525-1253	91525-1255	91525-1257
	TAPE & REEL	91525-8251	91525-8253	91525-8255	91525-8257
Dim H = 3.3	TRAY	91525-1261	91525-1263	91525-1265	91525-1267
	TAPE & REEL	91525-8261	91525-8263	91525-8265	91525-8267
Dim H = 4.3	TRAY	91525-1291	91525-1293	91525-1295	91525-1297
	TAPE & REEL	91525-8291	91525-8293	91525-8295	91525-8297

NOTES:
 1. REFER TO SHEET 1 FOR ALL UNSPECIFIED NOTES AND DIMENSIONS.
 2. REFER TO SHEET 2 FOR PCB LAYOUT
 3. REFER TO SHEET 3 FOR OPTIONAL ASSEMBLY COMPONENTS AND DIMENSIONS.
 4. FOR 4X PARTS WITH METAL GASKET PLEASE REFER TO SD-91804-003

SEE SHEET 1 DEC. NO. E2008-0458 DRAWN BY: D CHECKED: CHYND APPROVED: JAL DATE: 2008/04/28 DATE: 2008/05/02 DATE: 2008/05/06	QUALITY SYMBOLS	GENERAL TOLERANCES (UNLESS SPECIFIED)	DIMENSION STYLE	SCALE	DESIGN UNITS	THIRD ANGLE PROJECTION	
	$\nabla=0$ $\nabla=0$	mm INCH 4 PLACES \pm --- \pm --- 3 PLACES \pm --- \pm --- 2 PLACES \pm 0.10 \pm --- 1 PLACE \pm 0.2 \pm --- ANGULAR \pm 2°	MM ONLY	2:1	METRIC		
	DRAWN BY: DWALSH	DATE: 11/11/04	TITLE: 12X LATCH SALES DRAWING				
	CHECKED BY: KDELANEY	DATE: 18/11/04					
	APPROVED BY: JWALLACE	DATE: 25/11/04					
	PARTIAL NO.	DOCUMENT NO.					
	SEE SHEET 4 & 5	SD-91525-004					
	DRAFT WHERE APPLICABLE MUST REMAIN WITHIN DIMENSIONS						
	THIS DRAWING CONTAINS INFORMATION THAT IS PROPRIETARY TO MOLEX INCORPORATED AND SHOULD NOT BE USED WITHOUT WRITTEN PERMISSION						
						SHEET NO. 5 OF 5	