

Excellent Integrated System Limited

Stocking Distributor

Click to view price, real time Inventory, Delivery & Lifecycle Information:

[STMicroelectronics](#)
[74ACT138MTR](#)

For any questions, you can email us directly:

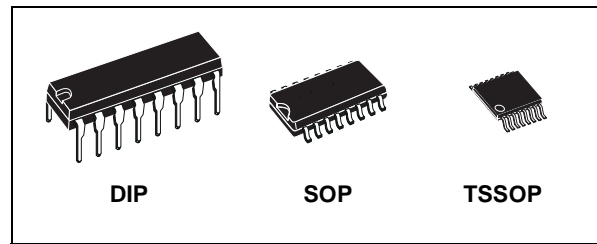
sales@integrated-circuit.com



74ACT138

3 TO 8 LINE DECODER (INVERTING)

- HIGH SPEED: $t_{PD} = 5ns$ (TYP.) at $V_{CC} = 5V$
- LOW POWER DISSIPATION:
 $I_{CC} = 4\mu A$ (MAX.) at $T_A=25^\circ C$
- COMPATIBLE WITH TTL OUTPUTS
 $V_{IH} = 2V$ (MIN.), $V_{IL} = 0.8V$ (MAX.)
- 50Ω TRANSMISSION LINE DRIVING CAPABILITY
- SYMMETRICAL OUTPUT IMPEDANCE:
 $|I_{OH}| = I_{OL} = 24mA$ (MIN)
- BALANCED PROPAGATION DELAYS:
 $t_{PLH} \cong t_{PHL}$
- OPERATING VOLTAGE RANGE:
 V_{CC} (OPR) = 4.5V to 5.5V
- PIN AND FUNCTION COMPATIBLE WITH 74 SERIES 138
- IMPROVED LATCH-UP IMMUNITY



ORDER CODES

| PACKAGE | TUBE | T & R |
|---------|-----------|-------------|
| DIP | 74ACT138B | |
| SOP | 74ACT138M | 74ACT138MTR |
| TSSOP | | 74ACT138TTR |

DESCRIPTION

The 74ACT138 is an advanced high-speed CMOS 3 TO 8 LINE DECODER (INVERTING) fabricated with sub-micron silicon gate and double-layer metal wiring C²MOS technology.

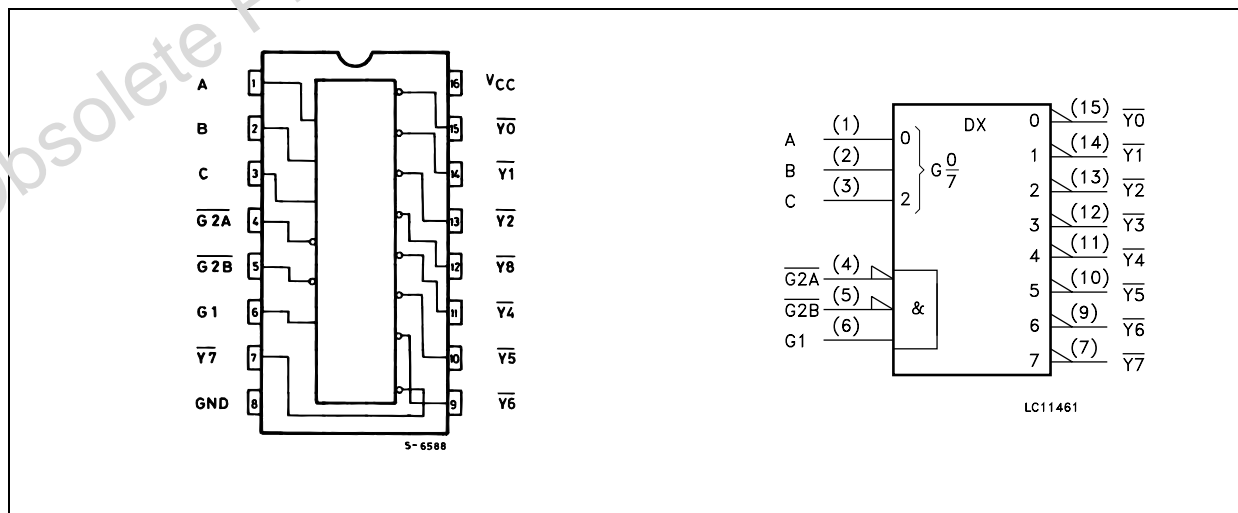
If the device is enabled, 3 binary select inputs (A, B, and C) determine which one of the outputs will go low. If enable input G1 is held low or either G2A or G2B is held high, the decoding function is inhibited and all the 8 outputs go to high.

Three enable inputs are provided to ease cascade connection and application of address decoders for memory systems.

The device is designed to interface directly High Speed CMOS systems with TTL, NMOS and CMOS output voltage levels.

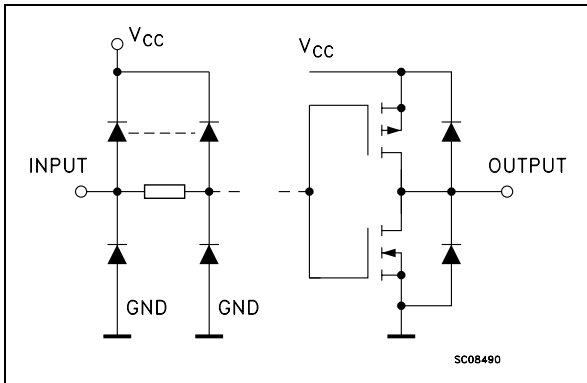
All inputs and outputs are equipped with protection circuits against static discharge, giving them 2KV ESD immunity and transient excess voltage.

PIN CONNECTION AND IEC LOGIC SYMBOLS



74ACT138

INPUT AND OUTPUT EQUIVALENT CIRCUIT



PIN DESCRIPTION

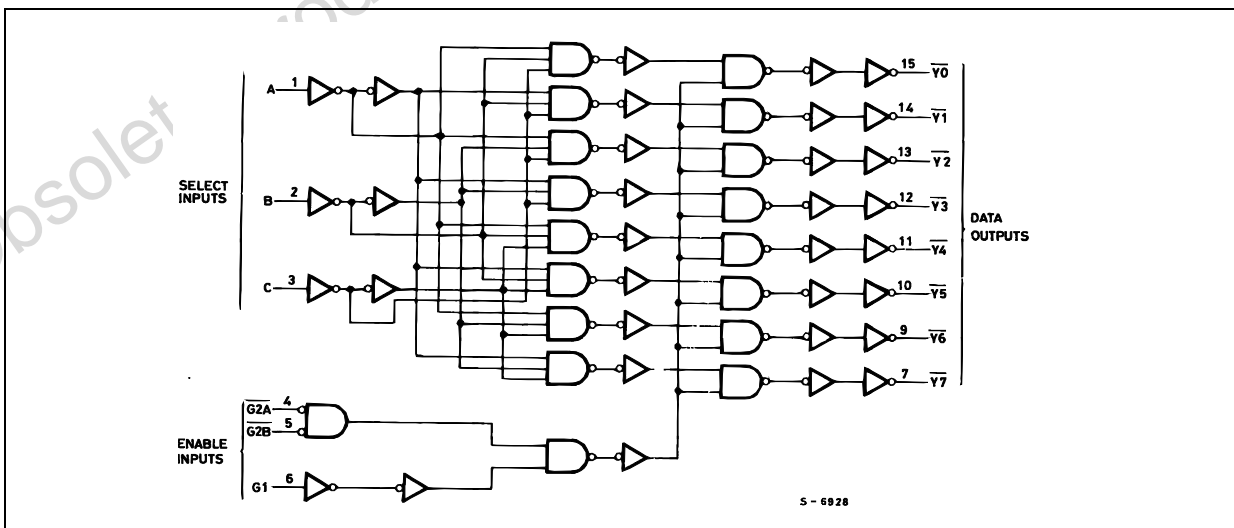
| PIN No | SYMBOL | NAME AND FUNCTION |
|------------------------------|-----------------|-------------------------|
| 1, 2, 3 | A, B, C | Address Inputs |
| 4, 5 | G2A, G2B | Enable Inputs |
| 6 | G1 | Enable Input |
| 15, 14, 13, 12, 11, 10, 9, 7 | Y0 to Y7 | Outputs |
| 8 | GND | Ground (0V) |
| 16 | V _{CC} | Positive Supply Voltage |

TRUTH TABLE

| INPUTS | | | | | | OUTPUTS | | | | | | | |
|--------|-----|----|--------|---|---|---------|----|----|----|----|----|----|----|
| ENABLE | | | SELECT | | | | | | | | | | |
| G2B | G2A | G1 | C | B | A | Y0 | Y1 | Y2 | Y3 | Y4 | Y5 | Y6 | Y7 |
| X | X | L | X | X | X | H | H | H | H | H | H | H | H |
| X | H | X | X | X | X | H | H | H | H | H | H | H | H |
| H | X | X | X | X | X | H | H | H | H | H | H | H | H |
| L | L | H | L | L | L | L | H | H | H | H | H | H | H |
| L | L | H | L | L | H | H | L | H | H | H | H | H | H |
| L | L | H | L | H | L | H | H | L | H | H | H | H | H |
| L | L | H | L | H | H | H | H | L | H | H | H | H | H |
| L | L | H | H | L | L | H | H | H | H | L | H | H | H |
| L | L | H | H | L | H | H | H | H | H | H | L | H | H |
| L | L | H | H | H | L | H | H | H | H | H | H | L | H |
| L | L | H | H | H | H | H | H | H | H | H | H | H | L |

X : Don't Care

LOGIC DIAGRAM



This logic diagram has not been used to estimate propagation delays

ABSOLUTE MAXIMUM RATINGS

| Symbol | Parameter | Value | Unit |
|-----------------------|-------------------------------|------------------------|------|
| V_{CC} | Supply Voltage | -0.5 to +7 | V |
| V_I | DC Input Voltage | -0.5 to $V_{CC} + 0.5$ | V |
| V_O | DC Output Voltage | -0.5 to $V_{CC} + 0.5$ | V |
| I_{IK} | DC Input Diode Current | ± 20 | mA |
| I_{OK} | DC Output Diode Current | ± 20 | mA |
| I_O | DC Output Current | ± 50 | mA |
| I_{CC} or I_{GND} | DC V_{CC} or Ground Current | ± 400 | mA |
| T_{stg} | Storage Temperature | -65 to +150 | °C |
| T_L | Lead Temperature (10 sec) | 300 | °C |

Absolute Maximum Ratings are those values beyond which damage to the device may occur. Functional operation under these conditions is not implied.

RECOMMENDED OPERATING CONDITIONS

| Symbol | Parameter | Value | Unit |
|----------|--|---------------|------|
| V_{CC} | Supply Voltage | 4.5 to 5.5 | V |
| V_I | Input Voltage | 0 to V_{CC} | V |
| V_O | Output Voltage | 0 to V_{CC} | V |
| T_{op} | Operating Temperature | -55 to 125 | °C |
| dt/dv | Input Rise and Fall Time $V_{CC} = 4.5$ to $5.5V$ (note 1) | 8 | ns/V |

1) V_{IN} from 0.8V to 2.0V

74ACT138

DC SPECIFICATIONS

| Symbol | Parameter | Test Condition | | Value | | | | | | Unit | |
|------------------|------------------------------------|---------------------|---|-----------------------|-------|-------|-------------|------|--------------|------|------|
| | | V _{CC} (V) | | T _A = 25°C | | | -40 to 85°C | | -55 to 125°C | | |
| | | | | Min. | Typ. | Max. | Min. | Max. | Min. | | Max. |
| V _{IH} | High Level Input Voltage | 4.5 | V _O = 0.1 V or V _{CC} -0.1V | 2.0 | 1.5 | | 2.0 | | 2.0 | | V |
| | | 5.5 | | 2.0 | 1.5 | | 2.0 | | 2.0 | | |
| V _{IL} | Low Level Input Voltage | 4.5 | V _O = 0.1 V or V _{CC} -0.1V | | 1.5 | 0.8 | | 0.8 | | 0.8 | V |
| | | 5.5 | | | 1.5 | 0.8 | | 0.8 | | 0.8 | |
| V _{OH} | High Level Output Voltage | 4.5 | I _O =-50 μA | 4.4 | 4.49 | | 4.4 | | 4.4 | | V |
| | | 5.5 | I _O =-50 μA | 5.4 | 5.49 | | 5.4 | | 5.4 | | |
| | | 4.5 | I _O =-24 mA | 3.86 | | | 3.76 | | 3.7 | | V |
| | | 5.5 | I _O =-24 mA | 4.86 | | | 4.76 | | 4.7 | | |
| V _{OL} | Low Level Output Voltage | 4.5 | I _O =50 μA | | 0.001 | 0.1 | | 0.1 | | 0.1 | V |
| | | 5.5 | I _O =50 μA | | 0.001 | 0.1 | | 0.1 | | 0.1 | |
| | | 4.5 | I _O =24 mA | | | 0.36 | | 0.44 | | 0.5 | V |
| | | 5.5 | I _O =24 mA | | | 0.36 | | 0.44 | | 0.5 | |
| I _I | Input Leakage Current | 5.5 | V _I = V _{CC} or GND | | | ± 0.1 | | ± 1 | | ± 1 | μA |
| I _{CCT} | Max I _{CC} /Input | 5.5 | V _I = V _{CC} - 2.1V | | 0.6 | | | 1.5 | | 1.6 | mA |
| I _{CC} | Quiescent Supply Current | 5.5 | V _I = V _{CC} or GND | | | 4 | | 40 | | 80 | μA |
| I _{OLD} | Dynamic Output Current (note 1, 2) | 5.5 | V _{OLD} = 1.65 V max | | | | | 75 | | 50 | mA |
| I _{OHD} | | | V _{OHD} = 3.85 V min | | | | | -75 | | -50 | mA |

1) Maximum test duration 2ms, one output loaded at time

2) Incident wave switching is guaranteed on transmission lines with impedances as low as 50Ω

AC ELECTRICAL CHARACTERISTICS (C_L = 50 pF, R_L = 500 Ω, Input t_r = t_f = 3ns)

| Symbol | Parameter | Test Condition | | Value | | | | | | Unit | |
|-----------------------------------|--|---------------------|--|-----------------------|------|------|-------------|------|--------------|------|------|
| | | V _{CC} (V) | | T _A = 25°C | | | -40 to 85°C | | -55 to 125°C | | |
| | | | | Min. | Typ. | Max. | Min. | Max. | Min. | | Max. |
| t _{PLH} t _{PHL} | Propagation Delay Time A, B, C to Y | 5.0(*) | | | 5.0 | 9.0 | | 10.0 | | 10.5 | ns |
| t _{PLH} t _{PHL} | Propagation Delay Time G1 to Y | 5.0(*) | | | 5.0 | 8.0 | | 9.0 | | 9.5 | ns |
| t _{PLH} t _{PHL} | Propagation Delay Time G2A or G2B to Y | 5.0(*) | | | 5.5 | 8.5 | | 10.0 | | 10.5 | ns |

(*) Voltage range is 5.0V ± 0.5V

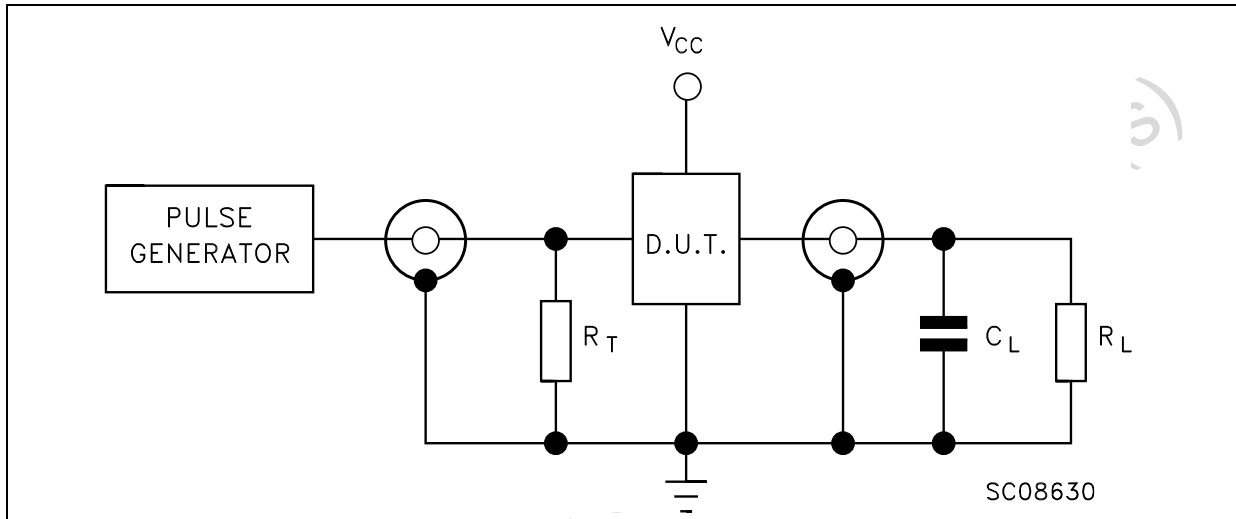
74ACT138

CAPACITIVE CHARACTERISTICS

| Symbol | Parameter | Test Condition | | Value | | | | | | Unit | |
|-----------------|--|---------------------|-------------------------|-----------------------|------|------|-------------|------|--------------|------|------|
| | | V _{CC} (V) | | T _A = 25°C | | | -40 to 85°C | | -55 to 125°C | | |
| | | | | Min. | Typ. | Max. | Min. | Max. | Min. | | Max. |
| C _{IN} | Input Capacitance | 5.0 | | | 4 | | | | | | pF |
| C _{PD} | Power Dissipation Capacitance (note 1) | 5.0 | f _{IN} = 10MHz | | 60 | | | | | | pF |

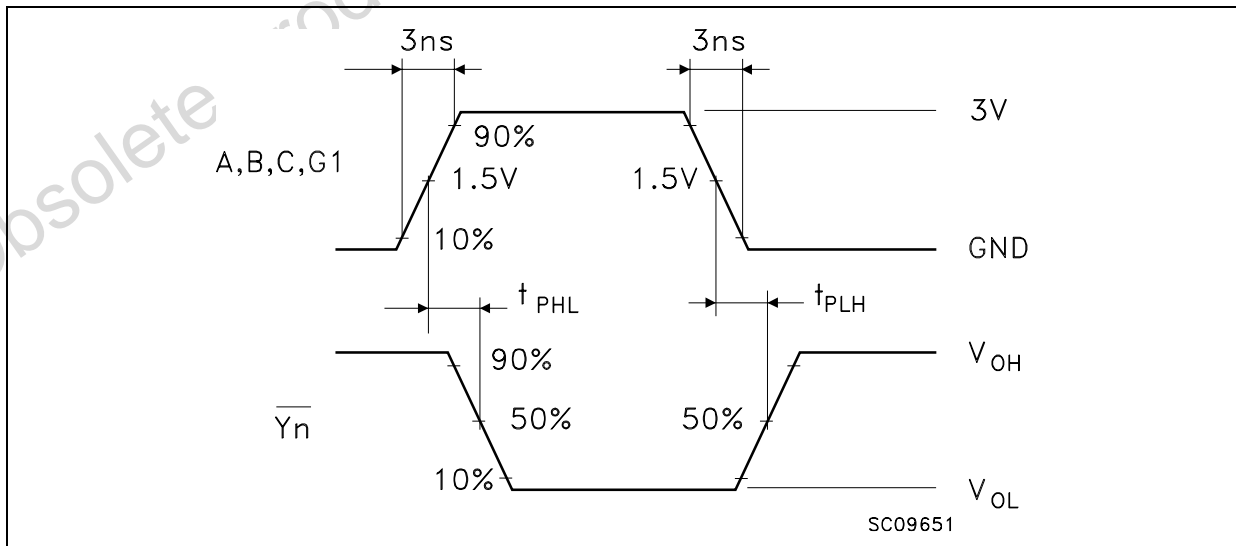
1) C_{PD} is defined as the value of the IC's internal equivalent capacitance which is calculated from the operating current consumption without load. (Refer to Test Circuit). Average operating current can be obtained by the following equation. I_{CC(opr)} = C_{PD} × V_{CC} × f_{IN} + I_{CC}/n (per circuit)

TEST CIRCUIT



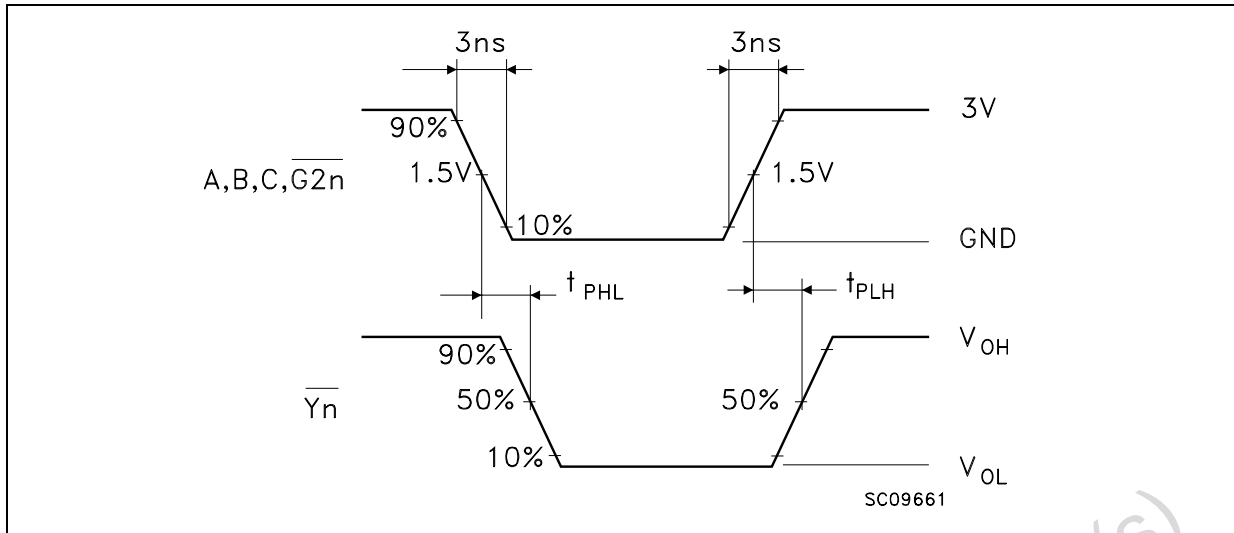
C_L = 50pF or equivalent (includes jig and probe capacitance)
 R_L = R₁ = 500Ω or equivalent
 R_T = Z_{OUT} of pulse generator (typically 50Ω)

WAVEFORM 1: PROPAGATION DELAYS FOR INVERTING OUTPUTS (f=1MHz; 50% duty cycle)



74ACT138

WAVEFORM2: PROPAGATION DELAYS FOR NON-INVERTING OUTPUTS (f=1MHz; 50% duty cycle)

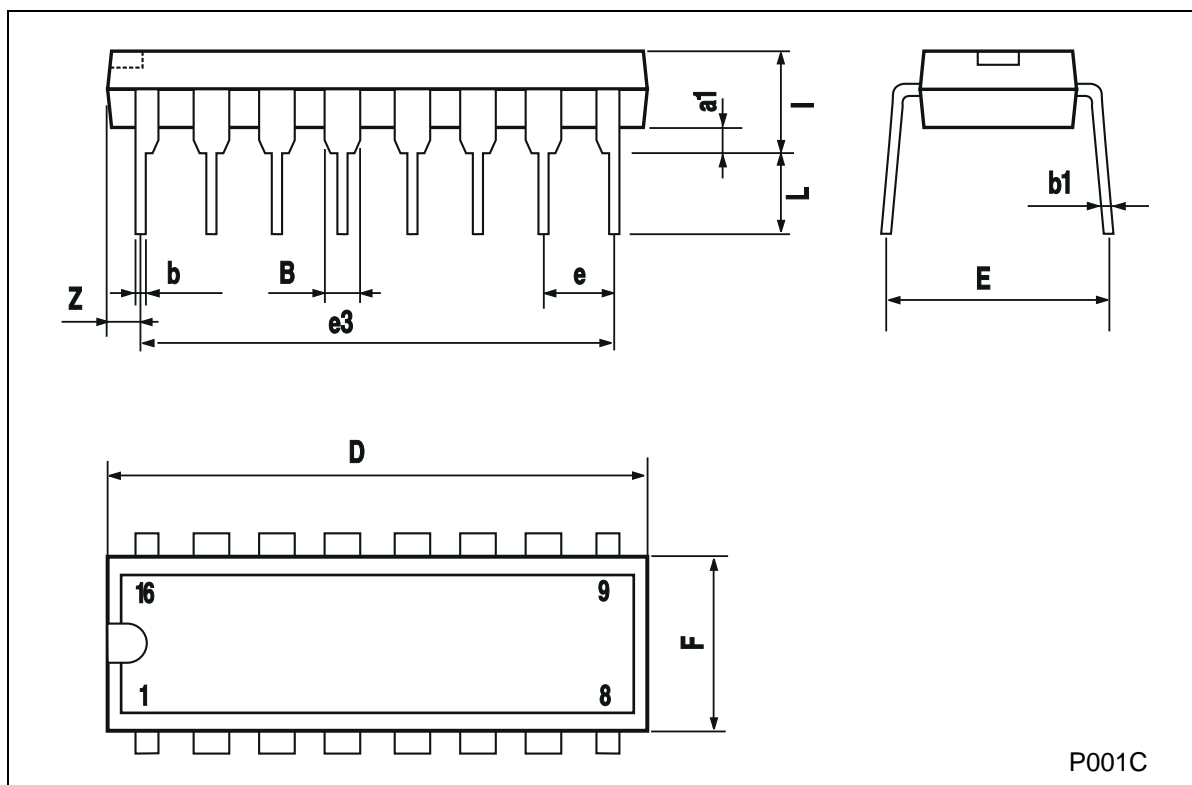


Obsolete Product(s) - Obsolete Product(s)

74ACT138

Plastic DIP-16 (0.25) MECHANICAL DATA

| DIM. | mm | | | inch | | |
|------|------|-------|------|-------|-------|-------|
| | MIN. | TYP. | MAX. | MIN. | TYP. | MAX. |
| a1 | 0.51 | | | 0.020 | | |
| B | 0.77 | | 1.65 | 0.030 | | 0.065 |
| b | | 0.5 | | | 0.020 | |
| b1 | | 0.25 | | | 0.010 | |
| D | | | 20 | | | 0.787 |
| E | | 8.5 | | | 0.335 | |
| e | | 2.54 | | | 0.100 | |
| e3 | | 17.78 | | | 0.700 | |
| F | | | 7.1 | | | 0.280 |
| I | | | 5.1 | | | 0.201 |
| L | | 3.3 | | | 0.130 | |
| Z | | | 1.27 | | | 0.050 |

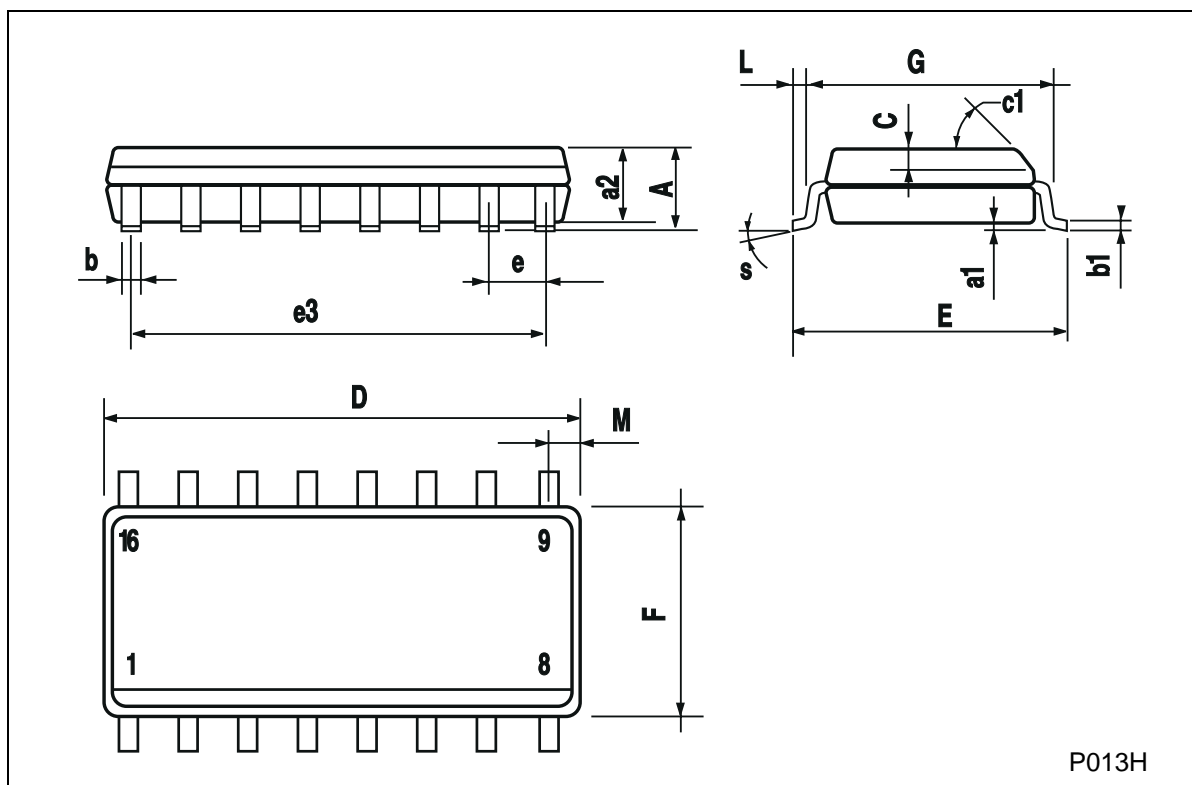


P001C

74ACT138

SO-16 MECHANICAL DATA

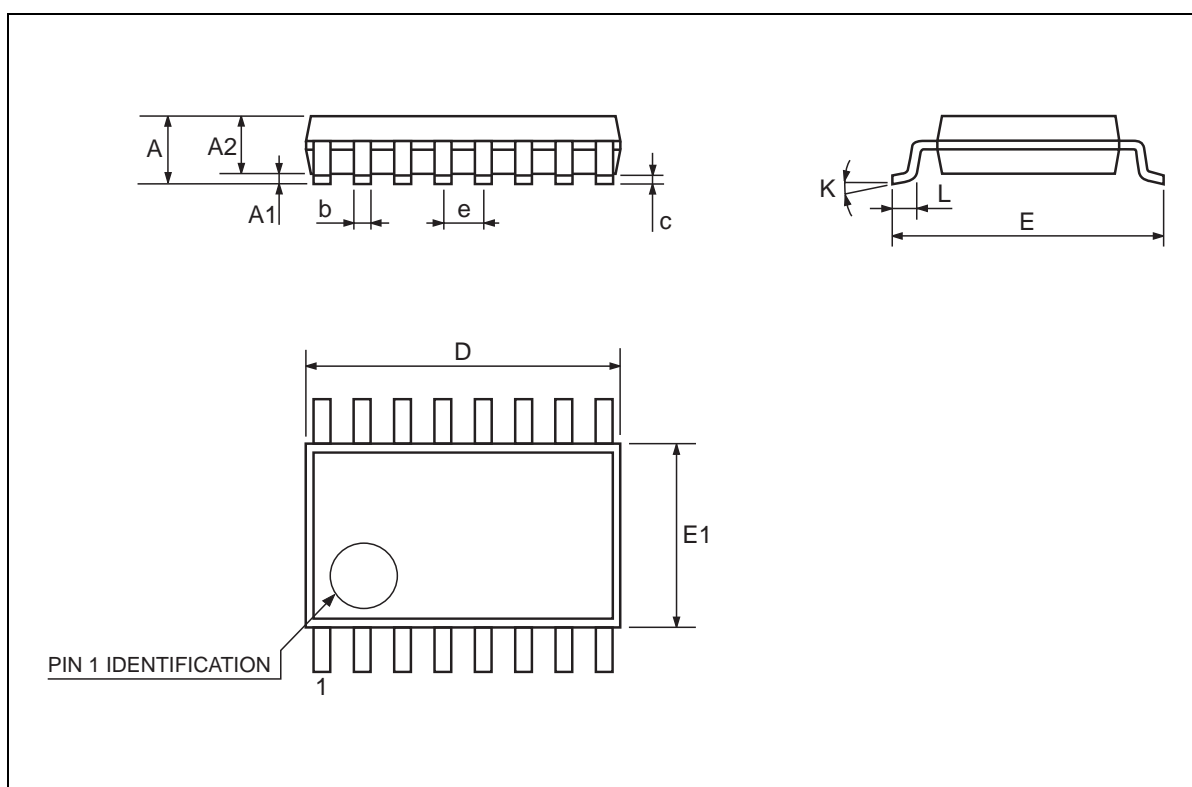
| DIM. | mm | | | inch | | |
|------|-----------|------|------|-------|-------|-------|
| | MIN. | TYP. | MAX. | MIN. | TYP. | MAX. |
| A | | | 1.75 | | | 0.068 |
| a1 | 0.1 | | 0.2 | 0.004 | | 0.007 |
| a2 | | | 1.65 | | | 0.064 |
| b | 0.35 | | 0.46 | 0.013 | | 0.018 |
| b1 | 0.19 | | 0.25 | 0.007 | | 0.010 |
| C | | 0.5 | | | 0.019 | |
| c1 | 45 (typ.) | | | | | |
| D | 9.8 | | 10 | 0.385 | | 0.393 |
| E | 5.8 | | 6.2 | 0.228 | | 0.244 |
| e | | 1.27 | | | 0.050 | |
| e3 | | 8.89 | | | 0.350 | |
| F | 3.8 | | 4.0 | 0.149 | | 0.157 |
| G | 4.6 | | 5.3 | 0.181 | | 0.208 |
| L | 0.5 | | 1.27 | 0.019 | | 0.050 |
| M | | | 0.62 | | | 0.024 |
| S | 8 (max.) | | | | | |



74ACT138

TSSOP16 MECHANICAL DATA

| DIM. | mm | | | inch | | |
|------|------|----------|------|--------|------------|--------|
| | MIN. | TYP. | MAX. | MIN. | TYP. | MAX. |
| A | | | 1.1 | | | 0.433 |
| A1 | 0.05 | 0.10 | 0.15 | 0.002 | 0.004 | 0.006 |
| A2 | 0.85 | 0.9 | 0.95 | 0.335 | 0.354 | 0.374 |
| b | 0.19 | | 0.30 | 0.0075 | | 0.0118 |
| c | 0.09 | | 0.20 | 0.0035 | | 0.0079 |
| D | 4.9 | 5 | 5.1 | 0.193 | 0.197 | 0.201 |
| E | 6.25 | 6.4 | 6.5 | 0.246 | 0.252 | 0.256 |
| E1 | 4.3 | 4.4 | 4.48 | 0.169 | 0.173 | 0.176 |
| e | | 0.65 BSC | | | 0.0256 BSC | |
| K | 0° | 4° | 8° | 0° | 4° | 8° |
| L | 0.50 | 0.60 | 0.70 | 0.020 | 0.024 | 0.028 |



74ACT138

Obsolete Product(s) - Obsolete Product(s)

Information furnished is believed to be accurate and reliable. However, STMicroelectronics assumes no responsibility for the consequences of use of such information nor for any infringement of patents or other rights of third parties which may result from its use. No license is granted by implication or otherwise under any patent or patent rights of STMicroelectronics. Specifications mentioned in this publication are subject to change without notice. This publication supersedes and replaces all information previously supplied. STMicroelectronics products are not authorized for use as critical components in life support devices or systems without express written approval of STMicroelectronics.

© The ST logo is a registered trademark of STMicroelectronics

© 2001 STMicroelectronics - Printed in Italy - All Rights Reserved
STMicroelectronics GROUP OF COMPANIES

Australia - Brazil - China - Finland - France - Germany - Hong Kong - India - Italy - Japan - Malaysia - Malta - Morocco
Singapore - Spain - Sweden - Switzerland - United Kingdom

© <http://www.st.com>