

Excellent Integrated System Limited

Stocking Distributor

Click to view price, real time Inventory, Delivery & Lifecycle Information:

[Bivar, Inc.](#)
[PM3GDW6](#)

For any questions, you can email us directly:
sales@integrated-circuit.com

PM3 Series Panel Mount Assemblies



Mounting Information:

Press-fit mounting in 0.157 [4.00 mm] hole
 Panel Thickness: 0.047 [1.2mm] to 0.093 [2.4mm]

Material Specifications:

Housing: UL Rated 94V-0, Black, 6 Nylon per
 ASTM D4066 PA111
 Oxygen Index: +28%
 Optional Wire Leads: 24AWG U.L. 1061 Cathode-Black,
 Anode-Red

Application Notes:

Wire leads from 2.5" to 48" are available subject to special quotation. Please consult Bivar at 1-800-SPACERS for additional information.

"-CC2" and "-CC" options can be used with the PM3 Series by keystone slotting the mounting hole to allow passage of the connector.

Many connectors are available as well as customer specified connectors. Subject to quotation.

Ordering Information:

PM3	G	D	5V	W6	-CC
Series	Color	Lens	Special	Leads	Options

Color: Please see Chart

Color Options and Suffixes:

Suffix	Color	Peak (nm)	Typ. Vf
G	Green	565nm	2.0
H	High Efficiency Red	635nm	2.0
Y	Yellow	585nm	2.0
SR	Super Red	660nm	2.0
O	Orange	635nm	2.0
A	Amber	610nm	2.0
BW	Blue	430nm	3.5
BC	Red/Green Bi-Color	635/565	2.0

- ◆ Available In A Wide Range Of Voltages
- ◆ Press Fit Mounting Lowers Labor And Assembly Cost
- ◆ 6" 24AWG Wire Leads At No Additional Cost
- ◆ Wide Variety Of Connectors Available



Lens Choices:

- D** Color Diffused
- C** Water Clear
- T** Tinted Non-diffused

Special:

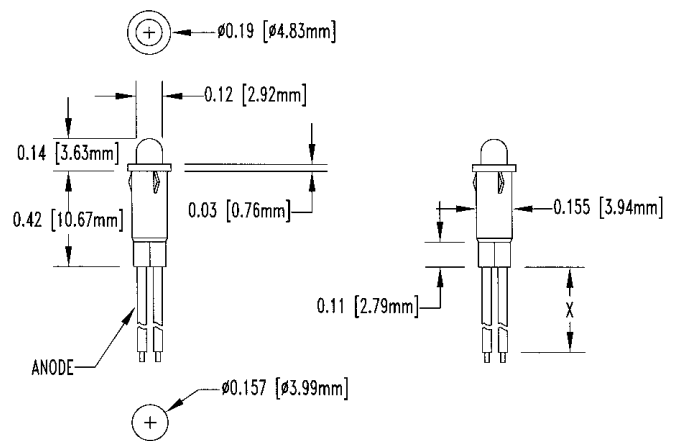
- L** 2mA Low Current
- 5V** 5 Volt Integrated Resistor
- 12V** 12 Volt Integrated Resistor

Leads:

- "Blank"** Terminal Leads
- Wx** 24AWG Wire Leads
(Replace the "X" with the length in inches)

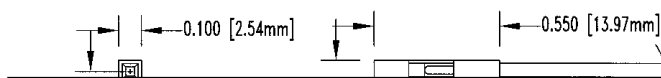
Options:

- CC** Standard 0.100" [2.54mm] pitch header connector
- CC2** Miniature 0.079" [2.00mm] pitch header connector



RECOMMENDED MOUNTING HOLE DIA.

-CC



-CC2

