

## Excellent Integrated System Limited

Stocking Distributor

Click to view price, real time Inventory, Delivery & Lifecycle Information:

[Cinch Connectivity Solutions](#)

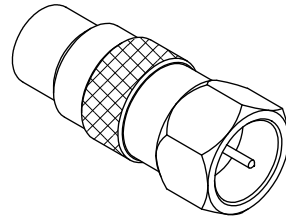
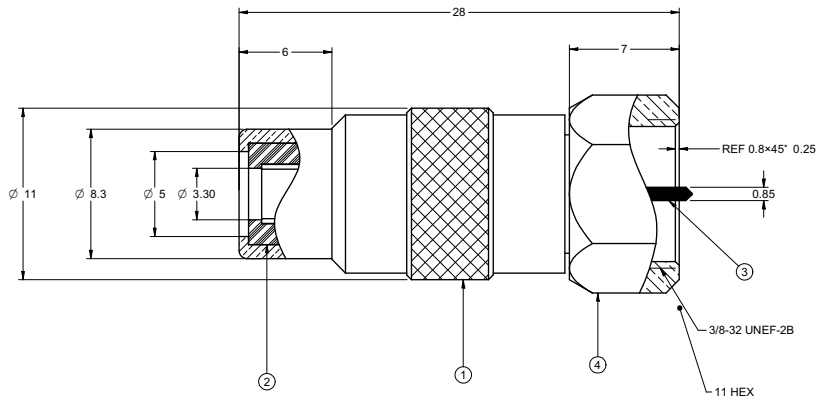
[CP-AD-106](#)

For any questions, you can email us directly:

[sales@integrated-circuit.com](mailto:sales@integrated-circuit.com)

PART NUMBER	ITEM ① BODY	ITEM ② INSULATOR	ITEM ③ CONTACT	ITEM ④ NUT
25-7580	BRASS NICKEL PLATED	DELIRIN	BRASS NICKEL PLATED	BRASS NICKEL PLATED

DRAWING NO. 25-7580	
REVISIONS	
01	OFFICIAL RELEASE 2009.09 08-21-09 [Signature] 08/11/09



受控 CONTROLLED DOCUMENT				
编号 P/N	25-7580	版本 Rev	01	日期 Rel'd Date
				SEP 14,09

NOTES:  
1. F END TECHNICAL DETAIL: REFER TO EMERSON DOCUMENT P/N 25-0000

TOLERANCE UNLESS OTHERWISE SPECIFIED	DRAWN BY BETTY YU	DATE 08-21-09
DECIMALS	CHECKED BY BETTY YU	DATE 08-21-09
X	+ 0.5	
XX	+ 0.2	
XXX	+ 0.1	
ANGLES	+ 0.5°	
APPROVED BY THOMAS		DATE 08-21-09
THIS DRAWING WAS PRODUCED BY COMPUTER. DO NOT SCALE DRAWING OR UPDATE MANUALLY.		

EMERSON Network Power		Connectivity Solutions	
TITLE RCA FEMALE TO F MALE			
SHEET 1 OF 1	DRAWING NO. 25-7580	SIZE C	

THIS DRAWING TO BE INTERPRETED PER ANSI Y 14.5M - 1994

COMPANY CONFIDENTIAL