

## Excellent Integrated System Limited

Stocking Distributor

Click to view price, real time Inventory, Delivery & Lifecycle Information:

[Phoenix Contact](#)  
[1843208](#)

For any questions, you can email us directly:

[sales@integrated-circuit.com](mailto:sales@integrated-circuit.com)

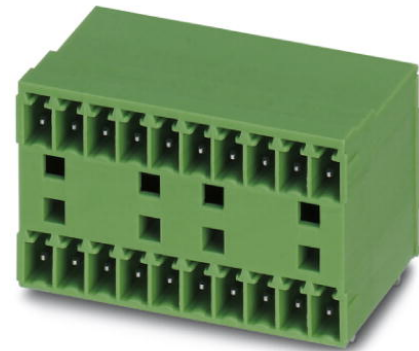


Extract from the online catalog

## MCD 1,5/15-G1-3,81

Order No.: 1843208

The figure shows a 10-position version of the product



<http://eshop.phoenixcontact.de/phoenix/treeViewClick.do?UID=1843208>

Header, Nominal current: 8 A, Nom. voltage: 160 V, Pitch: 3.81 mm, Number of positions: 15, Color: green, Assembly: Soldering

### Commercial data

EAN	4017918112394
Pack	50 pcs.
Customs tariff	85366990
Weight/Piece	0.0176 KG
Catalog page information	Page 183 (CC-2009)

### Product notes

WEEE/RoHS-compliant since:  
01/01/2003



<http://www.download.phoenixcontact.com>  
Please note that the data given here has been taken from the online catalog. For comprehensive information and data, please refer to the user documentation. The General Terms and Conditions of Use apply to Internet downloads.

### Technical data

#### Dimensions / positions

Pitch	3.81 mm
Dimension a	53.34 mm
Number of positions	15
Pin dimensions	0,8 x 0,8 mm
Hole diameter	1.2 mm

MCD 1,5/15-G1-3,81 Order No.: 1843208

<http://eshop.phoenixcontact.de/phoenix/treeViewClick.do?UID=1843208>
**Technical data**

Insulating material group	I
Rated surge voltage (III/3)	2.5 kV
Rated surge voltage (III/2)	2.5 kV
Rated surge voltage (II/2)	2.5 kV
Rated voltage (III/2)	160 V
Rated voltage (II/2)	250 V
Connection in acc. with standard	EN-VDE
Nominal current $I_N$	8 A
Nominal voltage $U_N$	160 V
Maximum load current	8 A
Insulating material	PA
Inflammability class acc. to UL 94	V0

**Certificates / Approvals**


Certification

CB, CSA, CUL, GOST, UL, VDE-PZI

**CSA**

Nominal voltage $U_N$	300 V
Nominal current $I_N$	8 A

**CUL**

Nominal voltage $U_N$	300 V
Nominal current $I_N$	8 A

**UL**

Nominal voltage $U_N$	300 V
Nominal current $I_N$	8 A

MCD 1,5/15-G1-3,81 Order No.: 1843208

<http://eshop.phoenixcontact.de/phoenix/treeViewClick.do?UID=1843208>
**Accessories**

Item	Designation	Description
<b>Marking</b>		
0804109	SK 3,81/2,8:FORTL.ZAHLEN	Marker card, printed horizontally, self-adhesive, 10-section marker strip, 14 identical decades marked 1-10, 11-20 etc. up to 91-(99)100, sufficient for 140 terminal blocks
<b>Plug/Adapter</b>		
1734634	CP-MSTB	Keying profile, is inserted into the slot on the plug or inverted header, red insulating material

**Additional products**

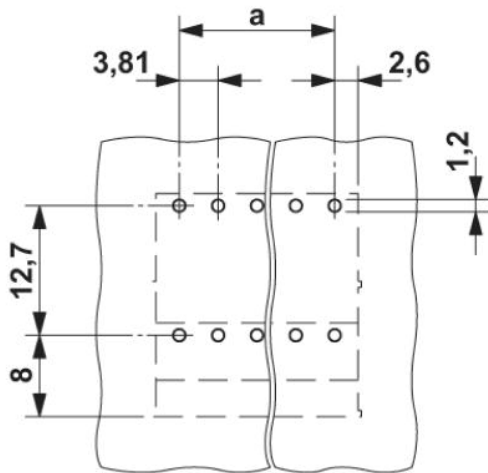
Item	Designation	Description
<b>General</b>		
1851177	FK-MCP 1,5/15-ST-3,81	Plug component, Nominal current: 8 A, Nom. voltage: 160 V, Pitch: 3.81 mm, Number of positions: 15, Connection type: Spring-cage conn., Color: green
1850796	FRONT-MC 1,5/15-ST-3,81	Plug component, Nominal current: 8 A, Nom. voltage: 160 V, Pitch: 3.81 mm, Number of positions: 15, Connection type: Screw connection, Color: green
1862700	IMC 1,5/15-G-3,81	Header, Nominal current: 8 A, Nom. voltage: 160 V, Pitch: 3.81 mm, Number of positions: 15, Color: green, Assembly: Soldering
1875551	IMCV 1,5/15-G-3,81	Header, Nominal current: 8 A, Nom. voltage: 160 V, Pitch: 3.81 mm, Number of positions: 15, Color: green, Assembly: Soldering
1803701	MC 1,5/15-ST-3,81	Plug component, Nominal current: 8 A, Nom. voltage: 160 V, Pitch: 3.81 mm, Number of positions: 15, Connection type: Screw connection, Color: green
1852309	MCC 1/15-STZ-3,81	Plug component, Nominal current: 8 A, Nom. voltage: 160 V, Pitch: 3.81 mm, Number of positions: 15, Connection type: Crimp connection, Color: green
1827253	MCVR 1,5/15-ST-3,81	Plug component, Nominal current: 8 A, Nom. voltage: 160 V, Pitch: 3.81 mm, Number of positions: 15, Connection type: Screw connection, Color: green
1827101	MCVW 1,5/15-ST-3,81	Plug component, Nominal current: 8 A, Nom. voltage: 160 V, Pitch: 3.81 mm, Number of positions: 15, Connection type: Screw connection, Color: green
1897526	QC 0,5/15-ST-3,81	Plug component, Nominal current: 6 A, Nom. voltage: 320 V, Pitch: 3.81 mm, Number of positions: 15, Connection type: Insulation displacement connection QUICKON, Color: green

MCD 1,5/15-G1-3,81 Order No.: 1843208

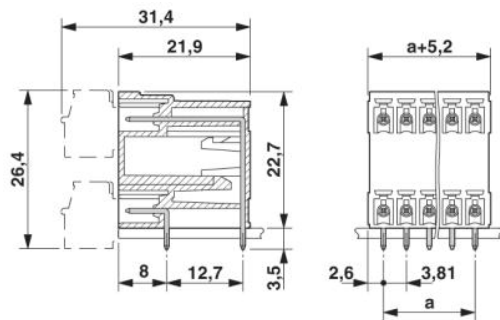
<http://eshop.phoenixcontact.de/phoenix/treeViewClick.do?UID=1843208>

**Diagrams/Drawings**

Drilling plan/solder pad geometry



Dimensioned drawing



MCD 1,5/15-G1-3,81 Order No.: 1843208

<http://eshop.phoenixcontact.de/phoenix/treeViewClick.do?UID=1843208>

---

#### Address

PHOENIX CONTACT Deutschland GmbH  
Flachsmarktstr. 8  
32825 Blomberg, Germany  
Phone +49 5235 3 12000  
Fax +49 5235 3 41200  
<http://www.phoenixcontact.de>



© 2010 Phoenix Contact  
Technical modifications reserved;