

## Excellent Integrated System Limited

Stocking Distributor

Click to view price, real time Inventory, Delivery & Lifecycle Information:

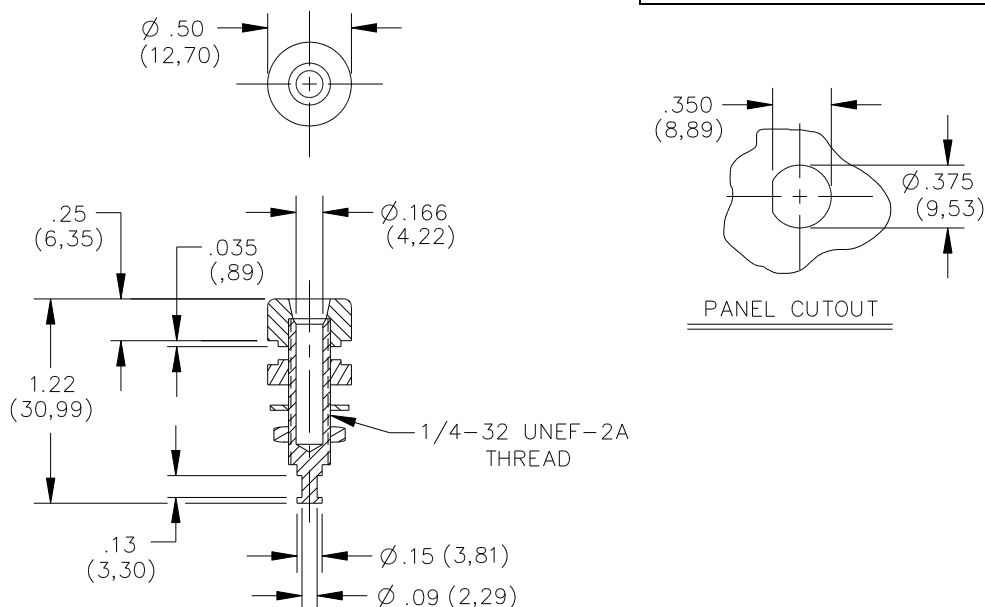
[Pomona Electronics](#)  
[1581-0](#)

For any questions, you can email us directly:

[sales@integrated-circuit.com](mailto:sales@integrated-circuit.com)

# Pomona®

## Models 1581, 2854 & 4900 Panel Mount Banana Jack



### FEATURES:

- Banana Jacks mount into panels ranging in thickness from .063" (1.6mm) to .375" (9.5mm).
- Model 4900 features Polypenylene Sulfide for high temperature applications.
- Model 2854 features gold plated body for optimum electrical connection.
- Model 1581 features bright tin plating

### MATERIALS:

Banana Jack: Body – Brass Nickel Plated, (Model 2854, Brass, Gold Plated)

Insulators: Polycarbonate (Model 4900, High Temperature Polyphenylene Sulfide)

1/4 Internal Locking Washer: Steel, Nickel Plated

1/4-32 Hex Nut: Brass, Nickel Plated

### RATINGS:

Operating Voltage: Hand-held Testing: 30VAC/60VDC Max.

Hand Free Testing in controlled Voltage Environment: 2500 WVDC.

Operating Temperature: +115°C (+239°F), Model 4900 +220°C (+428°F)

Current: 15 Amperes

### ORDERING INFORMATION: Model #-Color Code

1581 Std. Colors: -0 Black, -1 Brown, -2 Red, -3 Orange, -4 Yellow, -5 Green, -6 Blue, -7 Violet, -8 Gray, -9 White

2854 Std. Colors: -0 Black, -1 Brown, -2 Red, -4 Yellow, -5 Green, -6 Blue, -8 Gray, -9 White (Other colors available contact Pomona Technical Support: 800-241-2060 (technicalsupport@pomonatest.com))

4900 Std. Colors: -0 Black, -6 Blue.

Sold unassembled, in packages of 10 per color

Ordering Example: 2854-2 Gold Plated Banana Jack, Color: Red

All dimensions are in inches. Tolerances (except noted): .xx = ±.02" (.51 mm), .xxx = ±.005" (.127 mm).

All specifications are to the latest revisions. Specifications are subject to change without notice.

Registered trademarks are the property of their respective companies. Made in USA