

Excellent Integrated System Limited

Stocking Distributor

Click to view price, real time Inventory, Delivery & Lifecycle Information:

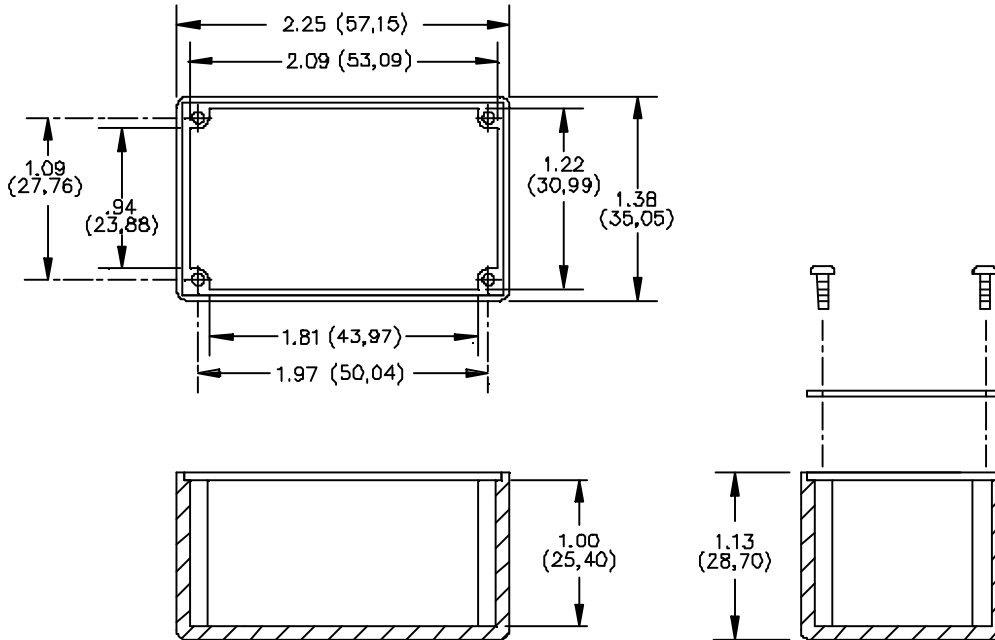
[Pomona Electronics](#)
[2417](#)

For any questions, you can email us directly:

sales@integrated-circuit.com

Pomona®

Model 2417 Size B Aluminum Box With Cover



MATERIALS:

Screws: 4 each #2-32 X 1/4" pan head self tapping, steel

Cover: .04 (1.02) Thick aluminum alloy 1100-H14 per, clear anodized per

Shielded Housing: Die cast aluminum alloy A380 or A384., Blue paint per Fed. Std. 595, Color No. 25109.

ORDERING INFORMATION: Model 2417

All dimensions are in inches. Tolerances (except noted): .xx = ±.02" (.51 mm), .xxx = ±.005" (.127 mm).

All specifications are to the latest revisions. Specifications are subject to change without notice.

Registered trademarks are the property of their respective companies. Made in USA