



Excellent Integrated System Limited

Stocking Distributor

Click to view price, real time Inventory, Delivery & Lifecycle Information:

[Visual Communications Company, LLC](#)
[2803](#)

For any questions, you can email us directly:

sales@integrated-circuit.com

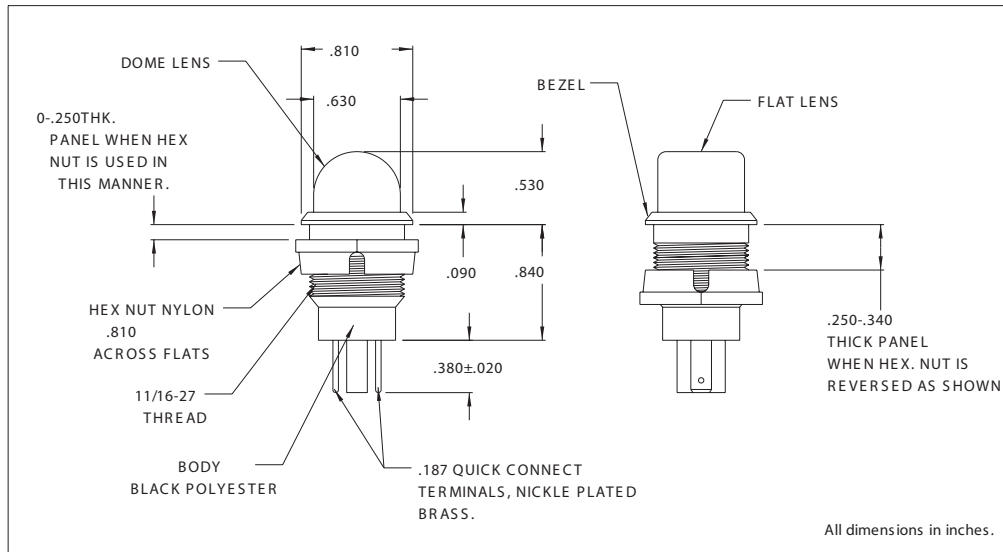
147 Central Avenue
Hackensack, New Jersey 07601
Tel: 201-489-8989 • Fax: 201-489-6911



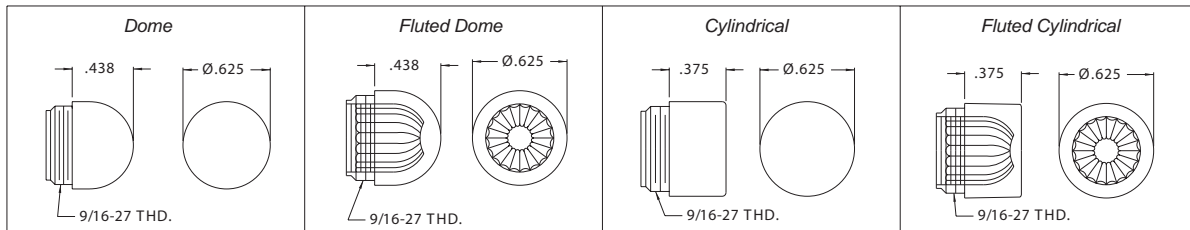
CHICAGO MINIATURE LAMP, INC.
WHERE INNOVATION COMES TO LIGHT

2803 Series Relampable Incandescent Indicator Light

DESCRIPTION AND FEATURES



LENS SPECIFICATIONS



All dimensions in inches.

Ordering Information:

For use with T-2 Slide Base (standard) lamps.
Complete assembly consists of socket (2803),
lamp, and lens (see chart below).

Items supplied unassembled.

Lamp, lens and socket must be ordered
separately.

Mounting: Supplied with polyester hex nut.

Lens: Polycarbonate-threaded

Body: Black polyester

Terminals: Nickel plated brass

Bezel: Polished stainless steel

Lens Part No:	Description
25P-306*	Transparent dome
25P-307**	Translucent dome
25P-326*	Transparent fluted dome
25P-606*	Transparent cylindrical
25P-607**	Translucent cylindrical
25P-626*	Transparent fluted cylindrical
(*) R=Red, A=Amber, G=Green, C=Clear	
(**) R=Red, Y=Yellow, G=Green, W=White	

Note: For 120 volt applications, CML recommends the use of a slide base neon lamp, rather than an incandescent lamp.

Chicago Miniature Lamp reserves the right to make specification revisions that enhance the design and/or performance of the product