

Excellent Integrated System Limited

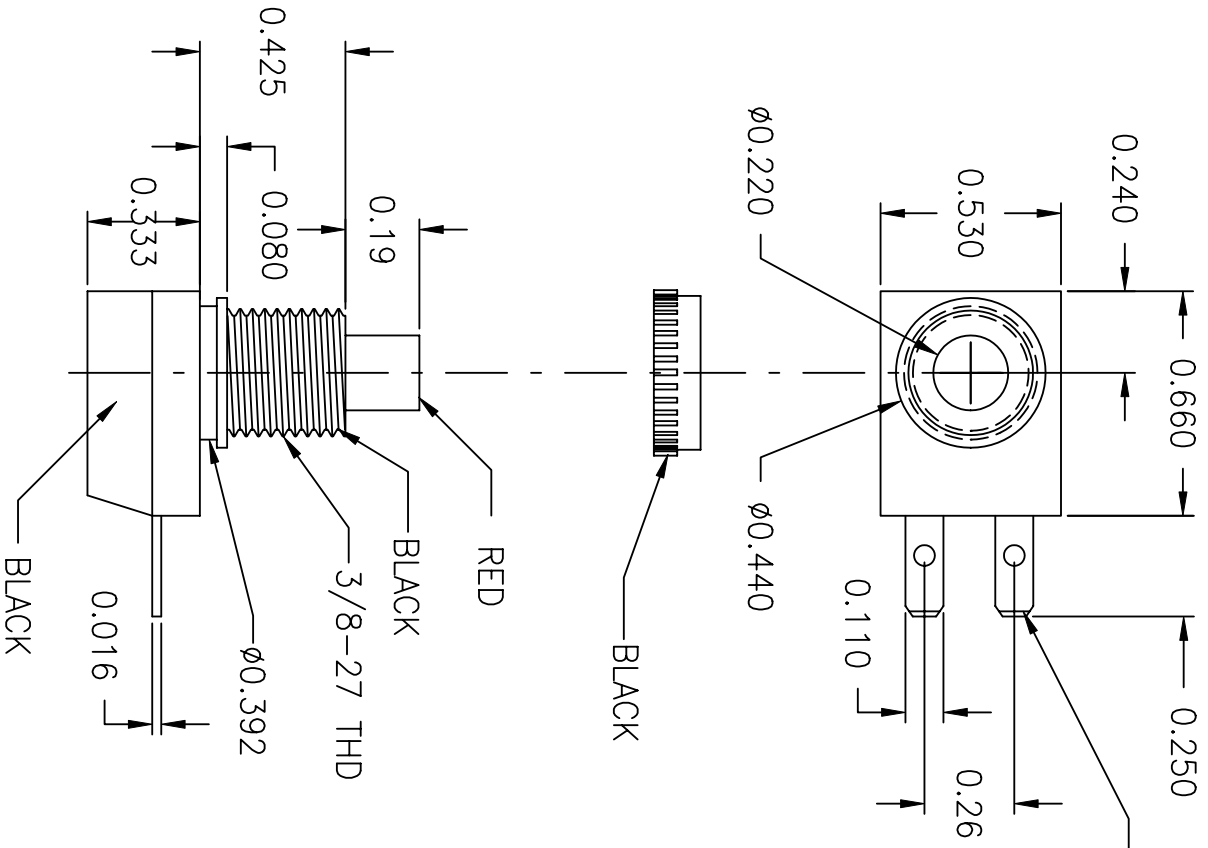
Stocking Distributor

Click to view price, real time Inventory, Delivery & Lifecycle Information:

[Judco Manufacturing, Inc.](#)
[40-3437-02](#)

For any questions, you can email us directly:

sales@integrated-circuit.com

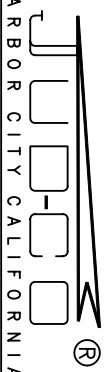


LTR	EN	DESCRIPTION	APPR	BY	DATE
A	-	INITIAL RELEASE	RB	NH	12-18-03

JUDCO INVENTORY NO. 40-3437-02
 SWITCH TYPE: MOMENTARY, NORMALLY CLOSED
 NUTS PACKED SEPARATELY.

CUSTOMER: DIGI-KEY
 APPROVED BY: _____
 DATE: _____

This document embodies a product, component, and/or design proprietary to JUDCO MANUFACTURING INC., and which is protected either as a trade secret, by U.S. Patent, or by copyright. It may not be used in any way without written express consent of JUDCO MANUFACTURING INC.

DIMENSIONS IN INCHES DIMENSIONS ARE REFERENCE		 <p>HARBOR CITY CALIFORNIA TITLE J-188A-3 DWG. NO. 1415-528 SHEET 1 OF 1</p>
DRAWN: NH APPR: KJ	12-18-03 12-18-03	
1415US28A.DWG		