

Excellent Integrated System Limited

Stocking Distributor

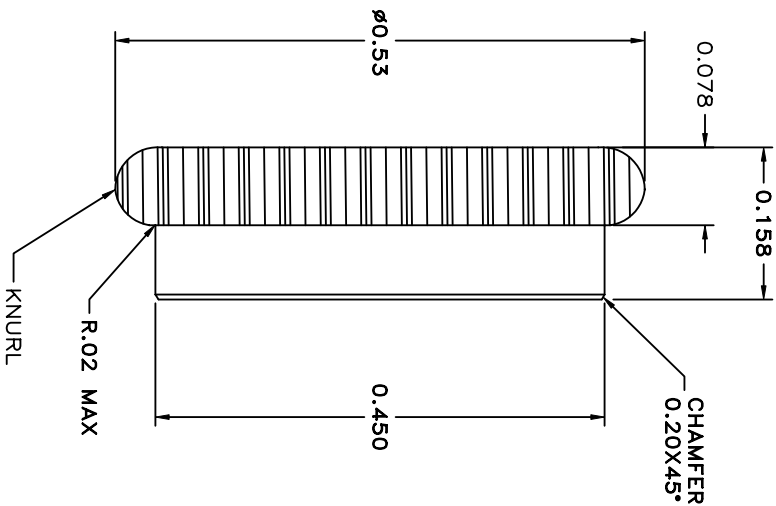
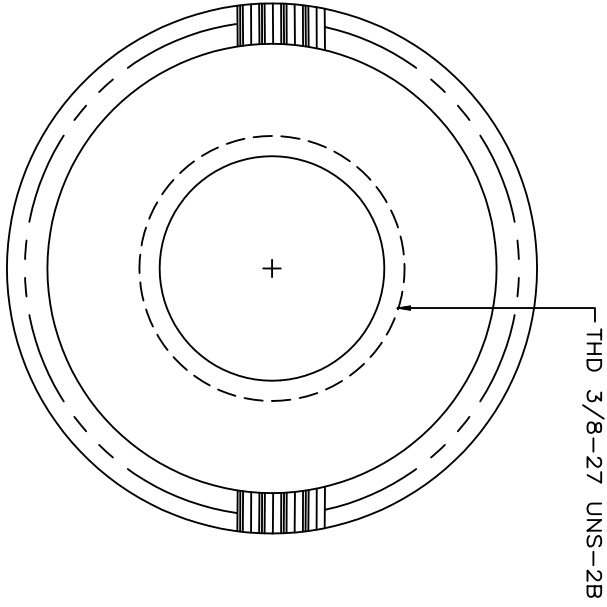
Click to view price, real time Inventory, Delivery & Lifecycle Information:

[Judco Manufacturing, Inc.](#)
[18-1017-00](#)

For any questions, you can email us directly:

sales@integrated-circuit.com

LTR	EN	DESCRIPTION	APPR	BY	DATE
A	-	INITIAL RELEASE	MT	DC	04-01-08



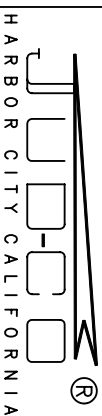
JUDCO INVENTORY NO. 18-1017-00
 DESCRIPTION: NUT, KNURLED 3/8-27
 BRASS/BRIGHT NICKEL PLATE
 ROHS COMPLIANT

CUSTOMER:
 CUSTOMER PN:
 APPROVED BY: _____
 DATE: _____

DIMENSIONS IN INCHES
 DIMENSIONS ARE REFERENCE

DRAWN: DC 04-01-08
 APPR: KU 04-01-08

141SU1359A.DWG



TITLE
 NUT, 3/8-27
 BRASS BRIGHT NI-PLT

DWG. NO.
 1415-1359

SHEET
 1 OF 1

This document embodies a product, component, and/or design proprietary to JUDCO MANUFACTURING INC., and which is protected either as a trade secret, by U.S. Patent, or by copyright. It may not be used in any way without written express consent of JUDCO MANUFACTURING INC.