

Excellent Integrated System Limited

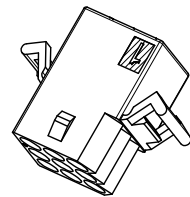
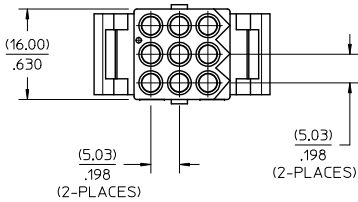
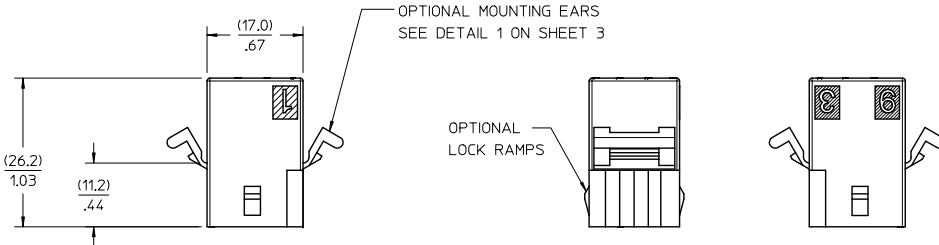
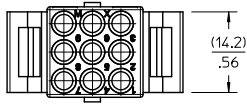
Stocking Distributor

Click to view price, real time Inventory, Delivery & Lifecycle Information:

[Molex Connector Corporation](#)
[0003092092](#)

For any questions, you can email us directly:

sales@integrated-circuit.com



RECEPTACLE
1292-R SHOWN
(WITH PREBENT MOUNTING EARS & LOCK RAMPS)

| | | | | | | | | | |
|---|--------------------------------------|---------------------------------------|------------|---|------------|---|--------------------|------------------------|--|
| SEE SHEET 1 EC NO: UCP2094-3075 DRAWN BY: 2011/07/21 CHKD: BELL APPR: SMITH 2011/07/21 2011/07/21 | QUALITY SYMBOLS ∇=0 ∇=0 ∇=0 | GENERAL TOLERANCES (UNLESS SPECIFIED) | | DIMENSION STYLE | | SCALE | DESIGN UNITS | THIRD ANGLE PROJECTION | |
| | | | | MM/IN | | 2:1 | INCH | | |
| | | 4 PLACES ± | ±.010 | DRAWN BY | DATE | TITLE | | | |
| | | 3 PLACES ± | ±.014 | CSTEWART | 2011/07/21 | .093/(2.36) HOUSING, PLUG 9 CKT. .198/(5.03) CTRS | | | |
| 2 PLACES ± | ±.025 | CHECKED BY | DATE | APPROVED BY | | DATE | MOLEX INCORPORATED | | |
| 1 PLACE ± | ±.035 | FSMITH | 2011/09/12 | MATERIAL NO. | | DOCUMENT NO. | SHEET NO. | | |
| ANGULAR ±1/2° | | SEE CHART | | SD-1292-0001 | | 2 OF 3 | | | |
| DRAFT WHERE APPLICABLE MUST REMAIN WITHIN DIMENSIONS | | | | THIS DRAWING CONTAINS INFORMATION THAT IS PROPRIETARY TO MOLEX INCORPORATED AND SHOULD NOT BE USED WITHOUT WRITTEN PERMISSION | | | | | |

| PLUG | |
|------------|-----------|
| PART NO. | ENG. NO. |
| 03-09-2091 | 1292-P |
| 03-09-2092 | 1292-P1 |
| 03-09-7091 | 1292-PBK |
| 03-09-7092 | 1292-P1BK |
| NOT TOOLED | 1292-P2 |
| 27-09-2092 | 1292-P1-A |

| RECEPTACLE | |
|------------|-----------|
| PART NO. | ENG. NO. |
| 03-09-1091 | 1292-R |
| 03-09-1092 | 1292-R1 |
| 03-09-6091 | 1292-RBK |
| 03-09-6092 | 1292-R1BK |
| 03-09-1093 | 1292-R2 |
| 03-09-6093 | 1292-R2BK |
| 03-09-1094 | 1292-R3 |
| 03-09-6094 | 1292-R3BK |
| 27-09-1093 | 1292-R2-A |

LEGEND: PLUG

1292-P * * * * *

P = PLUG

BLANK = WITH PREBENT BOTTOM MOUNT EARS

1 = WITHOUT EARS

2 = PLUG WITH PREBENT EARS & RIBS

COLOR: BLANK=NATURAL COLOR

AM=AMBER BK=BLACK BU=BLUE
 BN=BROWN GY=GRAY GN=GREEN
 OR=ORANGE RD=RED YW=YELLOW

MATERIAL: BLANK = NYLON 6/6, U.L. 94V-2
 A = NYLON 6/6, U.L. 94V-0

LEGEND: RECEPTACLE

1292-R * * * * *

R = RECEPTACLE

BLANK = WITH PREBENT EARS, WITH LOCK RAMPS

1 = WITH PREBENT EARS, WITHOUT LOCK RAMPS

2 = WITHOUT EARS, WITHOUT LOCK RAMPS

3 = WITHOUT EARS, WITH LOCK RAMPS

COLOR: BLANK=NATURAL COLOR

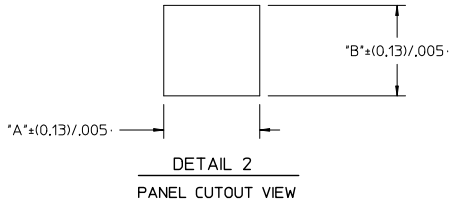
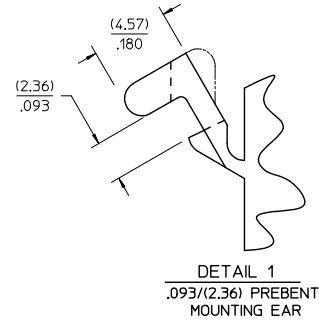
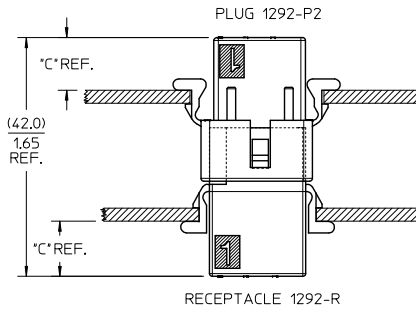
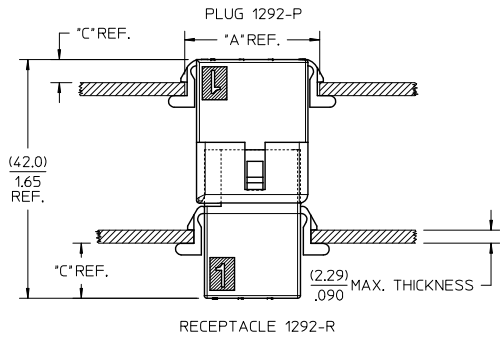
AM=AMBER BK=BLACK BU=BLUE
 BN=BROWN GY=GRAY GN=GREEN
 OR=ORANGE RD=RED YW=YELLOW

MATERIAL: BLANK = NYLON 6/6, U.L. 94V-2
 A = NYLON 6/6, U.L. 94V-0

NOTES:

1. MATERIAL: SEE LEGEND
2. FINISH: N/A
3. THESE PARTS COMPLY WITH MOLEX PRODUCT SPEC. PS-02-09.
4. PACKAGING: PK-1292-001
5. HOUSINGS FOR USE WITH MOLEX .093/(2.36) PIN AND SOCKET TERMINALS.
6. RIBS ARE PRESENT ONLY ON PLUG 1292-P2.

| HOUSING | DIM. "A" | DIM. "B" | DIM. "C" |
|-------------------|--------------|--------------|-------------|
| STD. PLUG | (23.62)/.930 | (19.30)/.760 | (9.91)/.39 |
| BOTTOM MOUNT PLUG | (23.80)/.937 | (16.76)/.660 | (4.11)/.16 |
| RECEPTACLE | (21.03)/.828 | (18.42)/.725 | (10.41)/.41 |



| | | | | | | | | | |
|---|--------------------------------------|---|-----------------------|---------------------------|------------------------------|--|----------------------|------------------------|--|
| SEE SHEET 1 EC NO: UCP2014-3075 DRAWN BY: 2014/01/27 CHKD: BELL 2014/01/27 APPR: SMITH 2014/02/14 | QUALITY SYMBOLS ∇=0 ∇=0 ∇=0 | GENERAL TOLERANCES (UNLESS SPECIFIED) | | DIMENSION STYLE MM/IN | | SCALE 2:1 | DESIGN UNITS INCH | THIRD ANGLE PROJECTION | |
| | | 4 PLACES ± --- ± .010 | 3 PLACES ± --- ± .014 | DRAWN BY C STEWART | DATE 2011/07/21 | TITLE .093/(2.36) HOUSING, PLUG 9 CKT. .198/(5.03) CTRS | | | |
| | | 2 PLACES ± 0.25 ± --- | 1 PLACE ± 0.35 ± --- | APPROVED BY S SMITH | DATE 2011/09/12 | | | | |
| | | 0 PLACE ± ± | ANGULAR ± 1/2° | MATERIAL NO. SEE CHART | DOCUMENT NO. SD-1292-0001 | SHEET NO. 3 OF 3 | | | |
| DRAFT WHERE APPLICABLE MUST REMAIN WITHIN DIMENSIONS | | THIS DRAWING CONTAINS INFORMATION THAT IS PROPRIETARY TO MOLEX INCORPORATED AND SHOULD NOT BE USED WITHOUT WRITTEN PERMISSION | | | | | | | |