

Excellent Integrated System Limited

Stocking Distributor

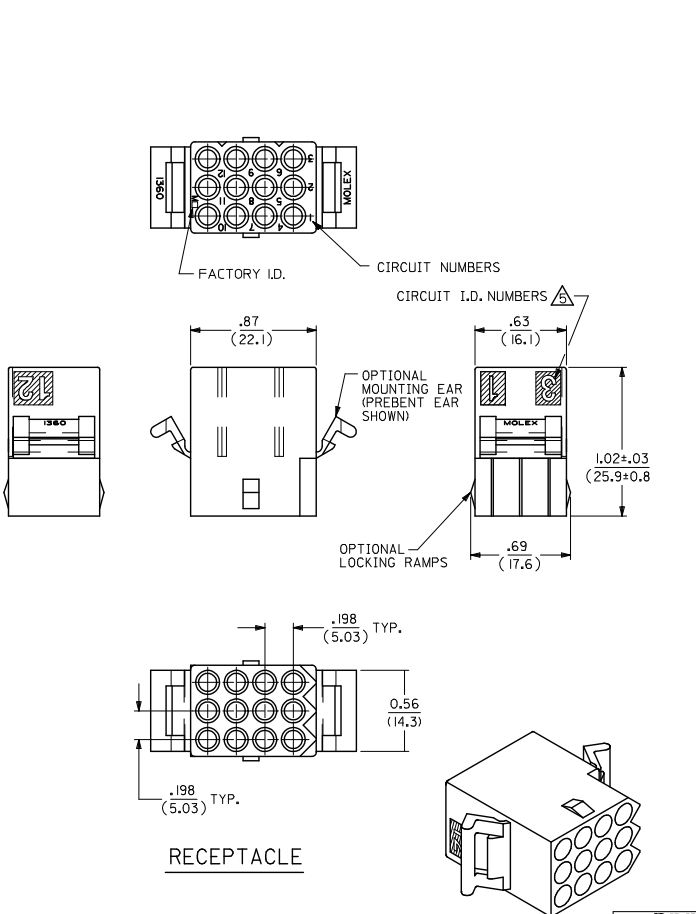
Click to view price, real time Inventory, Delivery & Lifecycle Information:

[Molex Connector Corporation](#)
[0003091126](#)

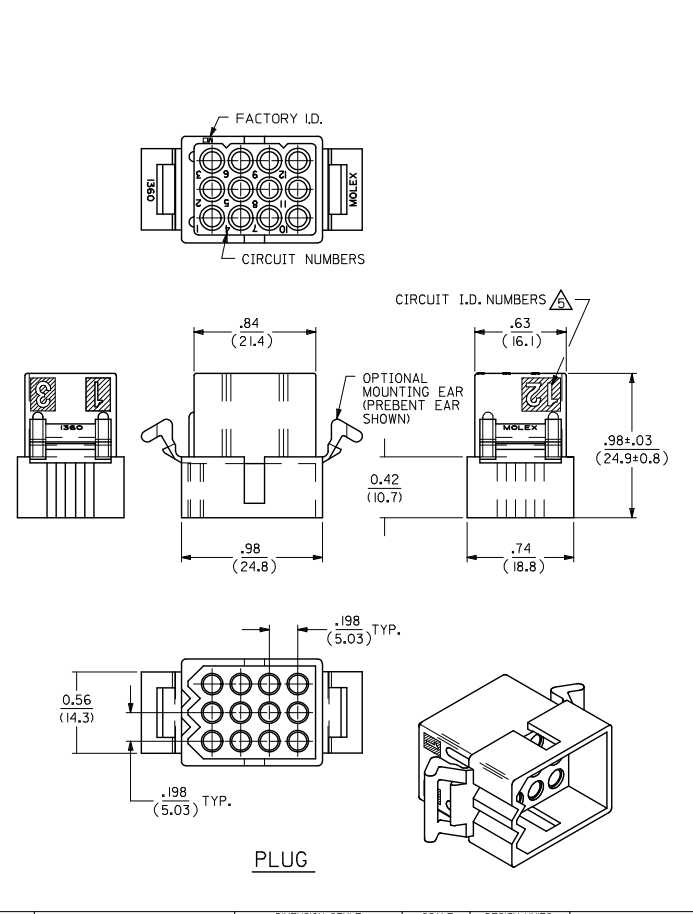
For any questions, you can email us directly:

sales@integrated-circuit.com

13 12 11 10 9 8 7 6 5 4 3 2 1



RECEPTACLE



PLUG

<p>OBSELETE 1360-R1* DEC NO: UCP2015-1650 DRAWN: JDFUX 2014/11/03 CHECKER: KIPER 2014/11/03 APPROVER: SMITH 2014/11/13</p>	QUALITY SYMBOLS	GENERAL TOLERANCES (UNLESS SPECIFIED)	DIMENSION STYLE	SCALE	DESIGN UNITS	THIRD ANGLE PROJECTION
		mm INCH	IN/MM	2:1	INCH	
		4 PLACES ± --- ± ---	DRAWN BY DATE	TITLE		
		3 PLACES ± --- ± .010	CHECKED BY DATE	.093/(12.36) HOUSINGS PLUG AND RECEPTACLE 12 CKT, .198/(5.03)CTR.		
	2 PLACES ± 0.25 ± .014	APPROVED BY DATE	<p>molex</p> DOCUMENT NO. SD-1360-* SHEET NO. 1 OF 2			
	1 PLACE ± 0.35 ± ---	MATERIAL NO. 2014/11/13				
	0 PLACE ± --- ± ---	ANGULAR ± 2 °	SEE CHART			
		DRAFT WHERE APPLICABLE MUST REMAIN WITHIN DIMENSIONS	THIS DRAWING CONTAINS INFORMATION THAT IS PROPRIETARY TO MOLEX INCORPORATED AND SHOULD NOT BE USED WITHOUT WRITTEN PERMISSION			

12 11 10 9 8 7 6 5 4 3 2 1

