

Excellent Integrated System Limited

Stocking Distributor

Click to view price, real time Inventory, Delivery & Lifecycle Information:

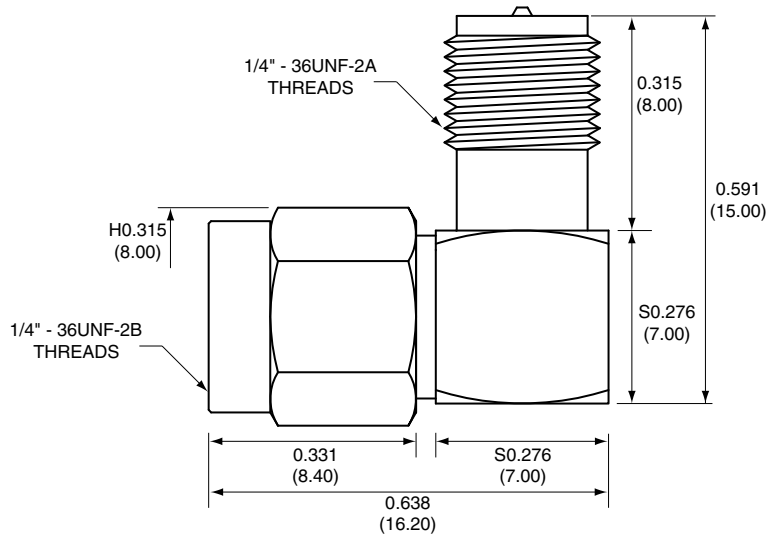
[Linx Technologies](#)
[CONREVSMA010](#)

For any questions, you can email us directly:

sales@integrated-circuit.com

Description	Material	Finish
Body	Brass	Nickel
Pin	PH Bronze	Gold
Insulation	PTFE	N/A
Gasket	SI Rubber	Rubber
Washer	PH Bronze	Nickel

REVISIONS			
REV	DESCRIPTION	DATE	APPV
B	Updated dimensions; Added new title block	2-JUL-12	SAH



NOTES: (UNLESS OTHERWISE SPECIFIED)

1. ALL DIMENSIONS ARE IN INCHES [mm].
2. DIMENSIONS APPLY AFTER FINISHING.
3. MANUFACTURE TO BE COMPLIANT WITH EU RoHS DIRECTIVE.
4. SAFETY BREAK ALL SHARP CORNERS AND EDGES .02 MAXIMUM.

WARNING: THIS DRAWING CONTAINS PROPRIETARY INFORMATION THAT IS THE SOLE PROPERTY OF LINX TECHNOLOGIES, AND SHALL BE TREATED AS SUCH. NO DISCLOSURE OR REPRODUCTION OF THIS DOCUMENT IS PERMITTED, IN WHOLE OR IN PART, WITHOUT THE EXPRESS WRITTEN PERMISSION OF LINX TECHNOLOGIES OR ITS DESIGNATED AGENTS.

MATERIAL:	TOLERANCES: .020 [0.50]-.200 [5.00]= ± .008 [0.20] .200 [5.00]-1.200 [30.00]= ± .016 [0.40] 1.20 [30.0]-4.75 [120.0]= ± .024 [0.60] 4.75 [120.0]-12.40 [315.0]= ± .040 [1.0]	PROJECTION:
FINISH:	DRAWN: B.MURPHY DT: 2-JUL-12	ANGLES: ± 1°
	ENGR: S.HOGAN DT: 2-JUL-12	

		159 ORT LANE MERLIN, OR 97532	
TITLE: RP-SMA MALE TO RP-SMA FEMALE RIGHT ANGLE ADAPTOR			
SIZE A	DWG. NO. CONREVSMA010	REV B	
SCALE: 2:1	DO NOT SCALE DRAWING	SHEET 1 OF 1	