

Excellent Integrated System Limited

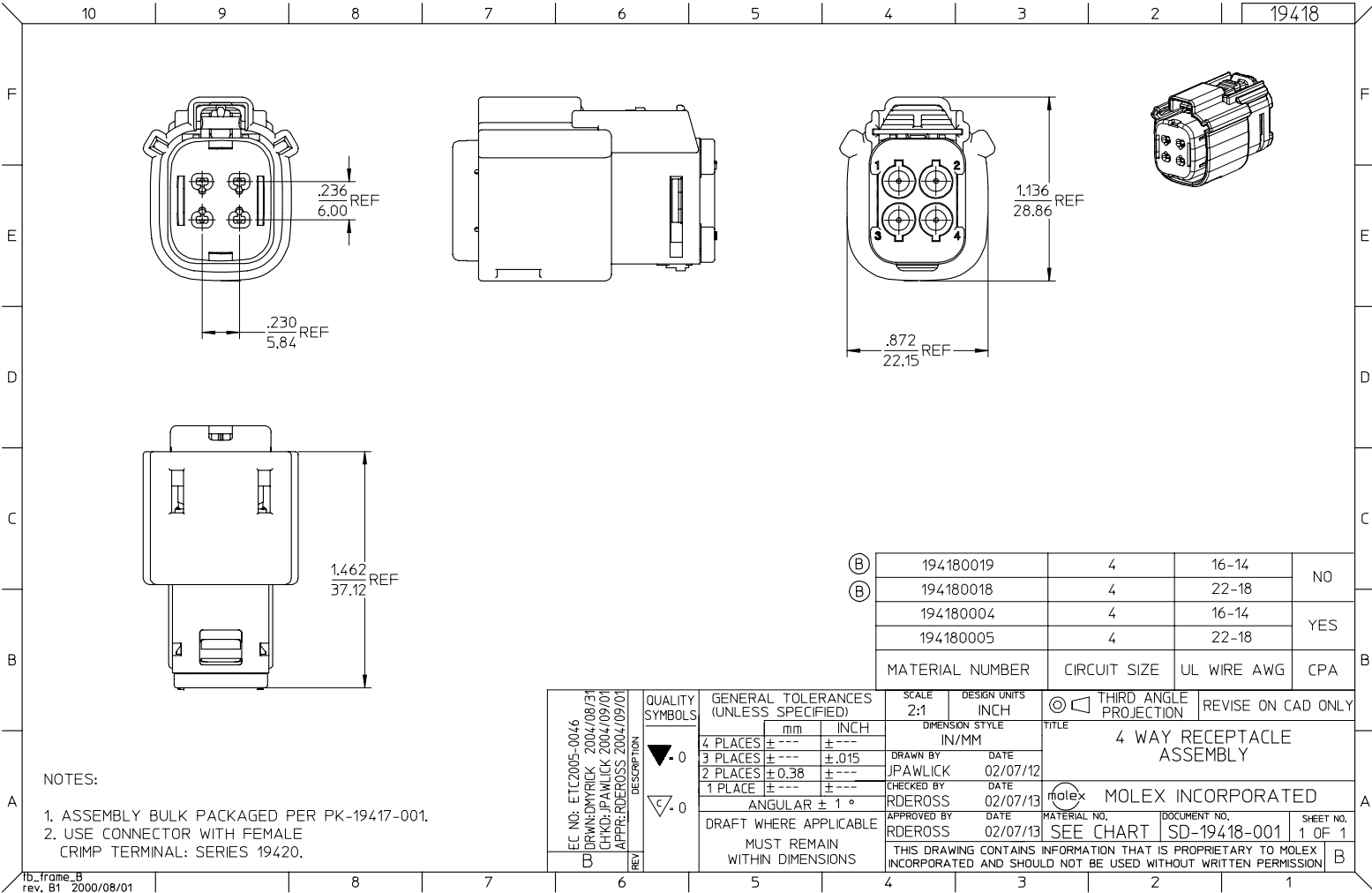
Stocking Distributor

Click to view price, real time Inventory, Delivery & Lifecycle Information:

[Molex Connector Corporation](#)
[0194180018](#)

For any questions, you can email us directly:

sales@integrated-circuit.com



- NOTES:
- ASSEMBLY BULK PACKAGED PER PK-19417-001.
 - USE CONNECTOR WITH FEMALE CRIMP TERMINAL: SERIES 19420.

| | | | | |
|-----|-----------------|--------------|-------------|-----|
| (B) | 194180019 | 4 | 16-14 | NO |
| (B) | 194180018 | 4 | 22-18 | |
| | 194180004 | 4 | 16-14 | YES |
| | 194180005 | 4 | 22-18 | |
| | MATERIAL NUMBER | CIRCUIT SIZE | UL WIRE AWG | CPA |

| | | | | | | | | | | | | | |
|---|-----------------------------|---------------------------------------|------------------------|---------------------|-------------------------------|------------------------|---------------------------------|------------------------|---------------------------|---------------------------|--|------------------|--|
| EC NO: ETC2005-0046 DRAWN: JPAWLICK 2004/08/24 CHKD: JPAWLICK 2004/09/01 APPR: RDEROSS 2004/09/01 | QUALITY SYMBOLS -0 -0 | GENERAL TOLERANCES (UNLESS SPECIFIED) | | SCALE 2:1 | DESIGN UNITS INCH | THIRD ANGLE PROJECTION | REVISE ON CAD ONLY | | | | | | |
| | | | mm | INCH | DIMENSION STYLE IN/MM | | TITLE 4 WAY RECEPTACLE ASSEMBLY | | | | | | |
| | | 4 PLACES | ± .005 | ± .005 | DRAWN BY JPAWLICK | DATE 02/07/12 | MATERIAL NO. SEE CHART | | DOCUMENT NO. SD-19418-001 | | | | |
| | | 3 PLACES | ± .015 | ± .015 | CHECKED BY RDEROSS | DATE 02/07/13 | SHEET NO. 1 OF 1 | | | | | | |
| 2 PLACES | ± 0.38 | ± .015 | ANGULAR ± 1° | | DRAFT WHERE APPLICABLE | | | | | | | | |
| 1 PLACE | ± .015 | ± .015 | DRAFT WHERE APPLICABLE | | MUST REMAIN WITHIN DIMENSIONS | | | | | | | | |
| REV B | | | | APPROVED BY RDEROSS | | DATE 02/07/13 | | MATERIAL NO. SEE CHART | | DOCUMENT NO. SD-19418-001 | | SHEET NO. 1 OF 1 | |
| THIS DRAWING CONTAINS INFORMATION THAT IS PROPRIETARY TO MOLEX INCORPORATED AND SHOULD NOT BE USED WITHOUT WRITTEN PERMISSION | | | | | | | | | | | | | |