

Excellent Integrated System Limited

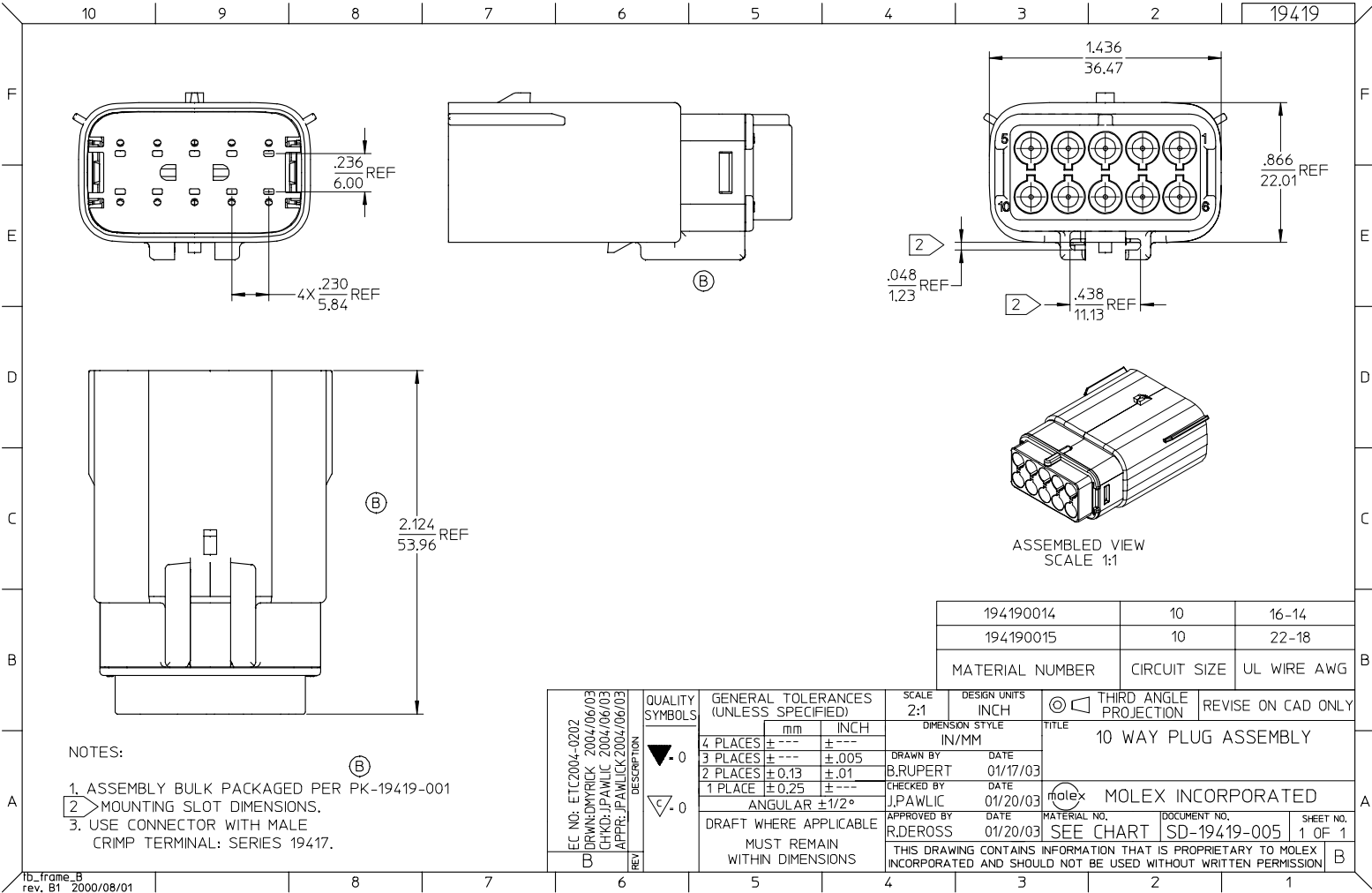
Stocking Distributor

Click to view price, real time Inventory, Delivery & Lifecycle Information:

[Molex Connector Corporation](#)
[19419-0015](#)

For any questions, you can email us directly:

sales@integrated-circuit.com



ASSEMBLED VIEW
SCALE 1:1

194190014	10	16-14
194190015	10	22-18
MATERIAL NUMBER	CIRCUIT SIZE	UL WIRE AWG

EC NO.: ETC2004-0202 DRAWN: DMYRIEK 2004/06/03 CHKD: JPAWLIC 2004/06/03 APPR: JPAWLIC 2004/06/03	QUALITY SYMBOLS -0 -0	GENERAL TOLERANCES (UNLESS SPECIFIED)		SCALE 2:1	DESIGN UNITS INCH	THIRD ANGLE PROJECTION	REVISE ON CAD ONLY
		4 PLACES ± --- ± ---	3 PLACES ± --- ± .005				
DESCRIPTION	-0	2 PLACES ± 0.13 ± .01	2 PLACES ± 0.25 ± ---	DIMENSION STYLE IN/MM	DRAWN BY B.RUPERT DATE 01/17/03	TITLE 10 WAY PLUG ASSEMBLY	MATERIAL NO. MOLEX INCORPORATED
		1 PLACE ± 0.25 ± ---	ANGULAR ± 1/2°				
REV B		DRAFT WHERE APPLICABLE MUST REMAIN WITHIN DIMENSIONS		APPROVED BY R.DERROSS DATE 01/20/03	THIS DRAWING CONTAINS INFORMATION THAT IS PROPRIETARY TO MOLEX INCORPORATED AND SHOULD NOT BE USED WITHOUT WRITTEN PERMISSION		

- NOTES:
- ASSEMBLY BULK PACKAGED PER PK-19419-001
 - MOUNTING SLOT DIMENSIONS.
 - USE CONNECTOR WITH MALE CRIMP TERMINAL: SERIES 19417.