

Excellent Integrated System Limited

Stocking Distributor

Click to view price, real time Inventory, Delivery & Lifecycle Information:

[Switchcraft Inc.](#)
[MDSMT3BRATR](#)

For any questions, you can email us directly:
sales@integrated-circuit.com

PHONE JACKS

2.5mm SMT Jacks from Switchcraft

Switchcraft introduces a new series of 2.5mm jacks. These low profile jacks come in a wide variety of circuits, both 2 and 3 conductor versions. Circuits include mono closed, stereo open, stereo tip closed and ring open, and stereo closed. The MDSMT Series is available on tape and reel only. Contact Switchcraft for exact dimensions of the reels. They're designed for use in today's electronic equipment that features remote speakers, headsets, and headphones. While they are more compact than commonly used PC mount phone jacks, they are still extremely durable.

Features and Benefits

- SMT mounting
- Tape and reel packaging
- Wide variety of circuits

Applications

- Computer
- Video Cameras
- Personal/Portable Audio Devices
- Multimedia

Specifications

Electrical

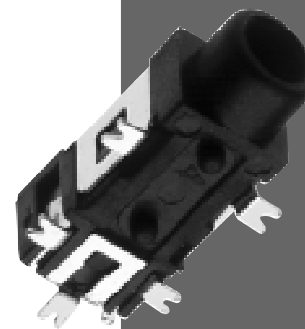
Current Rating: 3A
 Contact Resistance: <50 mohms
 Insulation Resistance: 100 mohms (min.)
 Dielectric Withstanding Voltage:
 250VAC @ 1 minute

Mechanical

Lifecycles: 5,000
 Operating Temperature: -25°C to +85°C

Material

Housing: Black thermoplastic
 Sleeve, Ring and Tip Terminals: Copper Alloy,
 silver-plated
 Shunt Terminal: Copper Alloy, Silver-plated



Part Number	Description
MDSMT2BRATR	Stereo, dual open circuit
MDSMT2ARATR	Mono, closed circuit
MDSMT3BRATR	Stereo, tip closed and ring open circuit
MDSMT4BRATR	Stereo, dual closed circuit