

## Excellent Integrated System Limited

Stocking Distributor

Click to view price, real time Inventory, Delivery & Lifecycle Information:

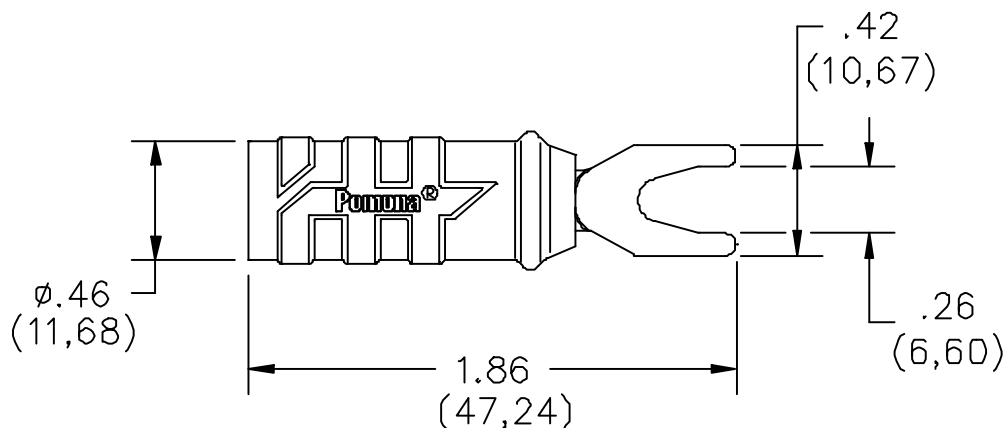
[Pomona Electronics](#)  
[1614A-0](#)

For any questions, you can email us directly:

[sales@integrated-circuit.com](mailto:sales@integrated-circuit.com)

**Pomona**<sup>®</sup>

**Model 1614A & 6203  
 Spade Lug to Insulated  
 Banana Jack**



**FEATURES:**

- Ideal for use with binding posts
- Compatible with any Pomona banana plug or equivalent
- Has a shrouded jack for use with any shrouded DMM plug

**MATERIALS:**

Insulator – Nylon

Spade – Nickel plated copper.

**RATINGS:**

Operating Voltage – 1000 VRMS Max.

Current – 15 Amperes

**ORDERING INFORMATION:** Model 6203 - Set of one red, one black spade lug  
 Model 1614A-\*

\* = Color, -0 Black, -2 Red

All dimensions are in inches. Tolerances (except noted): .xx = ±.02" (.51 mm), .xxx = ±.005" (.127 mm).

All specifications are to the latest revisions. Specifications are subject to change without notice.

Registered trademarks are the property of their respective companies. Made in USA