

Excellent Integrated System Limited

Stocking Distributor

Click to view price, real time Inventory, Delivery & Lifecycle Information:

[Analog Devices Inc.](#)
[ADM8698AN](#)

For any questions, you can email us directly:

sales@integrated-circuit.com



Microprocessor Supervisory Circuits

ADM8698/ADM8699

FEATURES

- Superior Upgrade for ADM698/ADM699, MAX698/MAX699
- Guaranteed $\overline{\text{RESET}}$ Assertion with $V_{CC} = 1\text{ V}$
- Low 70 μA Supply Current
- Precision 4.65 V Voltage Monitor
- Power OK/Reset Time Delay
- Watchdog Timer
- Minimum Component Count
- Performance Specified over Temperature

APPLICATIONS

- Microprocessor Systems
- Computers
- Controllers
- Intelligent Instruments
- Automotive Systems
- Critical μP Power Monitoring

GENERAL DESCRIPTION

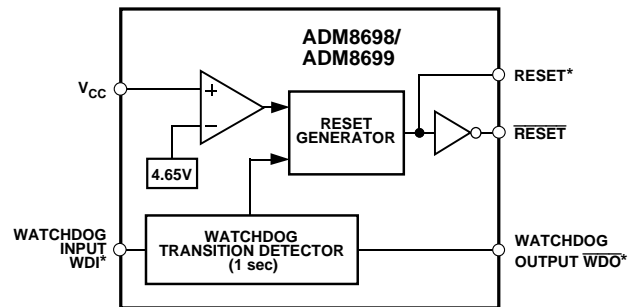
The ADM8698/ADM8699 supervisory circuits provide power supply monitoring and watchdog timing for microprocessor systems.

The ADM8698 monitors the 5 V V_{CC} power supply and generates a $\overline{\text{RESET}}$ pulse during power up, power down and during low voltage "Brown Out" conditions. The $\overline{\text{RESET}}$ output is guaranteed to be functional (logic low) with V_{CC} as low as 1 V.

The ADM8699 features an identical monitoring circuit as in the ADM8698, plus an additional watchdog timer input to monitor microprocessor activity. The $\overline{\text{RESET}}$ output is forced low if the watchdog input is not toggled within the 1 second watchdog timeout period.

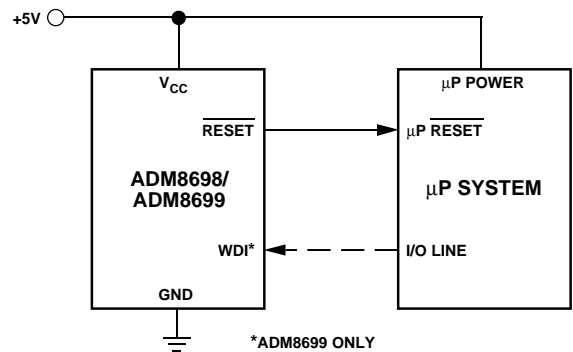
Both parts are available in 8-pin plastic DIP/SOIC and 16-lead SOIC packages. The 16-lead SOIC contains additional outputs $\overline{\text{RESET}}$ (without inversion) and Watchdog Output $\overline{\text{WDO}}$ (ADM8699 only).

FUNCTIONAL BLOCK DIAGRAM



*WDI (ADM8699 ONLY)
RESETP (SOIC ONLY)
WDO (ADM8699 SOIC ONLY)

TYPICAL APPLICATION CIRCUIT



REV. 0

Information furnished by Analog Devices is believed to be accurate and reliable. However, no responsibility is assumed by Analog Devices for its use, nor for any infringements of patents or other rights of third parties which may result from its use. No license is granted by implication or otherwise under any patent or patent rights of Analog Devices.

ADM8698/ADM8699—SPECIFICATIONS ($V_{CC} = +5V \pm 10\%$, $T_A = T_{MIN}$ to T_{MAX} unless otherwise noted)

| Parameter | Min | Typ | Max | Units | Test Conditions/Comments |
|--|-----|------|------|---------|--|
| V_{CC} Operating Voltage Range | 3.0 | | 5.5 | V | |
| Supply Current | | 70 | 100 | μ A | |
| Power-Down Reset Assertion | 4.5 | 4.65 | 4.75 | V | |
| Power-Up Reset Deassertion | | | | | |
| Reset Threshold Hysteresis | | 40 | | mV | |
| Reset Active Time | 140 | 200 | 280 | ms | |
| Watchdog Timeout Period (ADM8699) | 1.0 | 1.6 | 2.25 | s | |
| Minimum WDI Input Pulse Width | 50 | | | ns | $V_{IL} = 0.4$, $V_{IH} = 0.8$ (V_{CC}) |
| $\overline{\text{RESET}}$ Output Voltage | | | 0.4 | V | $I_{SINK} = 3.2$ mA, $V_{CC} = 4.4$ V |
| $\overline{\text{RESET}}$ Output Voltage ($V_{CC} = 1$ V) | | 12 | 200 | mV | $I_{SINK} = 100$ μ A, $V_{CC} = 1.0$ V |
| RESET and $\overline{\text{WDO}}$ Output Voltage | 3.5 | | 0.4 | V | $I_{SOURCE} = 500$ μ A, $V_{CC} = 5$ V |
| $\overline{\text{RESET}}$ Output Short Circuit Current | 3.5 | 45 | | mA | $I_{SINK} = 3.2$ mA, $V_{CC} = 5$ V $I_{SOURCE} = 1$ μ A, $V_{CC} = 4.4$ V Output Sink Current |
| WDI Input Threshold (ADM8699) | | | 0.8 | V | |
| Logic Low | | | | V | |
| Logic High | 3.5 | | | μ A | $WDI = V_{CC}$ |
| WDI Input Current | -10 | +1 | +10 | μ A | $WDI = 0$ V |
| | | -1 | | μ A | |

Specifications subject to change without notice.

ABSOLUTE MAXIMUM RATINGS*

 ($T_A = +25^\circ\text{C}$ unless otherwise noted)

| | |
|---|----------------------------|
| V_{CC} | -0.3 V to +6 V |
| All Other Inputs | -0.3 V to $V_{CC} + 0.3$ V |
| Power Dissipation 8-Pin DIP | 500 mW |
| θ_{JA} , Thermal Impedance | +120°C/W |
| Power Dissipation 16-Pin SOIC | 375 mW |
| θ_{JA} , Thermal Impedance | +110°C/W |
| Power Dissipation 8-Pin SOIC | 500 mW |
| θ_{JA} , Thermal Impedance | +125°C/W |
| Operating Temperature Range | |
| Industrial (A Version) | -40°C to +85°C |
| Storage Temperature Range | -65°C to +150°C |
| Lead Temperature (Soldering, 10 secs) | +300°C |
| Vapor Phase (60 secs) | +215°C |
| Infrared (15 secs) | +220°C |
| ESD Rating | >4 kV |

*Stresses above those listed under Absolute Maximum Ratings may cause permanent damage to the device. This is a stress rating only; functional operation of the device at these or any other conditions above those listed in the operational sections of this specification is not implied. Exposure to absolute maximum ratings for extended periods of time may affect device reliability.

ORDERING GUIDE

| Model | Temperature Range | Package Options* |
|------------|-------------------|------------------|
| ADM8698AN | -40°C to +85°C | N-8 |
| ADM8698ARW | -40°C to +85°C | R-16 |
| ADM8698ARN | -40°C to +85°C | R-8 |
| ADM8699AN | -40°C to +85°C | N-8 |
| ADM8699ARW | -40°C to +85°C | R-16 |
| ADM8699ARN | -40°C to +85°C | R-8 |

*N = Plastic DIP; R = Small Outline.

ADM8698/ADM8699

PIN FUNCTION DESCRIPTIONS

| Mnemonic | Function |
|-----------------|---|
| V _{CC} | +5 V Power Supply Input. |
| GND | 0 V. Ground reference for all signals. |
| RESET | Logic Output. RESET goes low whenever V _{CC} falls below the reset voltage threshold (4.65 V typ). RESET remains low for a minimum of 140 ms after V _{CC} returns to 5 V. RESET also goes low for a minimum of 140 ms if the watchdog timer is enabled but not serviced within its time-out period. |
| WDI | Watchdog Input. WDI is a three level input. If WDI remains either high or low for longer than the watchdog timeout period, RESET pulses low and WDO goes low. The timer resets with each transition on the WDI line. The watchdog timer may be disabled if WDI is left floating or is driven to midsupply. |
| RESET | (SOIC packages only) Logic Output. RESET is an active high output. It is the inverse of RESET. |
| WDO | (SOIC ADM8699 only) Logic Output. The Watchdog Output, WDO, goes low if WDI remains either high or low for longer than the watchdog timeout period. WDO is set high by the next transition at WDI. If WDI is unconnected or at midsupply, the watchdog timer is disabled and WDO remains high. |

TYPICAL PERFORMANCE CURVES

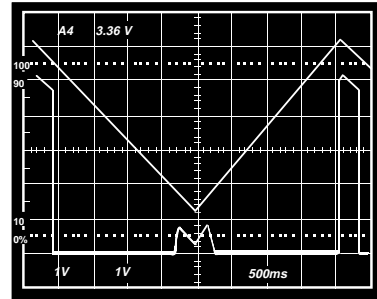


Figure 1. RESET Output Voltage vs. V_{CC}

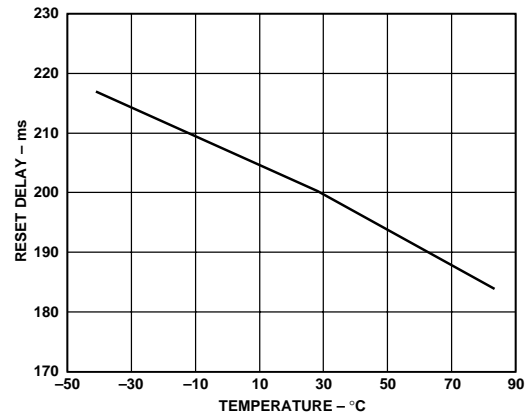


Figure 2. RESET Timeout Delay vs. Temperature

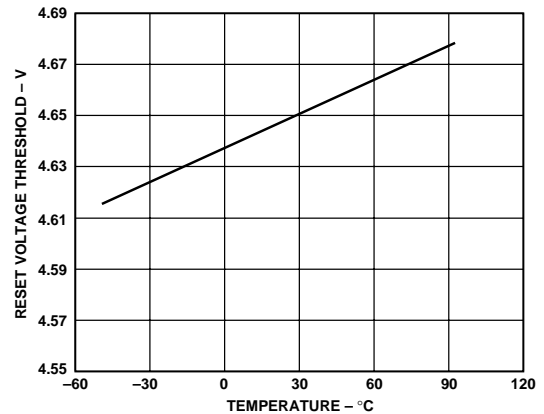
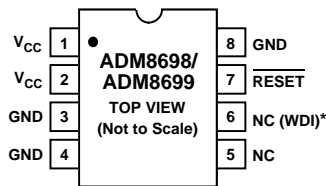


Figure 3. RESET Voltage Threshold vs. Temperature

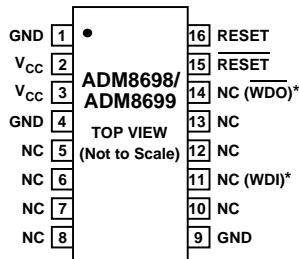
PIN CONFIGURATIONS

8-Lead DIP & SOIC



*() ADM8699 ONLY
 NC = NO CONNECT

16-Lead SOIC



*() ADM8699 ONLY
 NC = NO CONNECT

ADM8698/ADM8699

CIRCUIT INFORMATION

Power Fail RESET

A precision voltage detector monitors V_{CC} and generates a RESET output to hold the microprocessor's Reset line low when V_{CC} falls below the reset threshold 4.65 V (see Figure 4). The reset voltage threshold is set to accommodate a 5% variation on V_{CC} . The voltage detector has 40 mV hysteresis to ensure that glitches on V_{CC} do not activate the RESET output.

On power-up, an internal monostable holds RESET low for 140 ms after V_{CC} rises above the reset threshold. This allows the power supply to stabilize on power-up and also prevents repeated toggling of RESET even if the 5 V power drops out and recovers with each power line cycle. In order to prevent mistripping due to transient voltage spikes, it is recommended that a 0.1 μF capacitor be connected at the V_{CC} pin.

The RESET output is guaranteed to remain low with V_{CC} as low as 1 V. This holds the microprocessor in a stable shutdown condition as the power supply comes up.

On the 16-lead SOIC package, an active high RESET output is also provided. This is the complement of RESET and is intended for microprocessors requiring an active high signal.

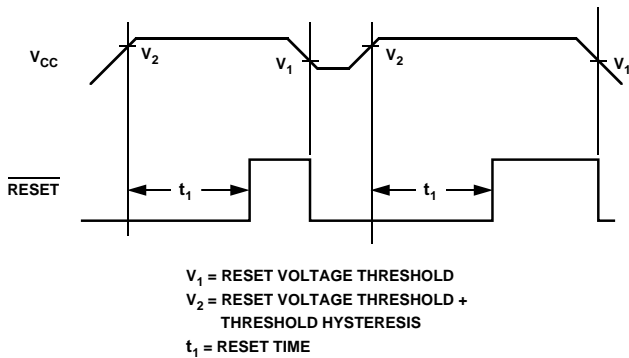


Figure 4. Watchdog Timeout Period vs. Temperature

Watchdog Timer (ADM8699 Only)

The watchdog timer input (WDI) monitors an I/O line from the μP system. The μP must toggle this input once every 1.6 seconds to verify correct software execution. Failure to toggle the line indicates that the μP system is not correctly executing its program and may be tied up in an endless loop. If this happens, a reset pulse is generated to initialize the processor.

The WDI input is a three level input and will recognize a low-to-high or high-to-low transition on its input. The watchdog timer is reset by each WDI transition and then begins its timeout period. If the WDI pin remains either high or low, reset pulses will be issued every 1.6 seconds typically. If the watchdog timer is not needed, the WDI input should be left floating.

The Watchdog Output (WDO) (SOIC package Only) provides watchdog status information. It is driven low if WDI is not toggled within the watchdog timeout period. It goes high at the next WDI transition. It is also set high when V_{CC} falls below the reset threshold.

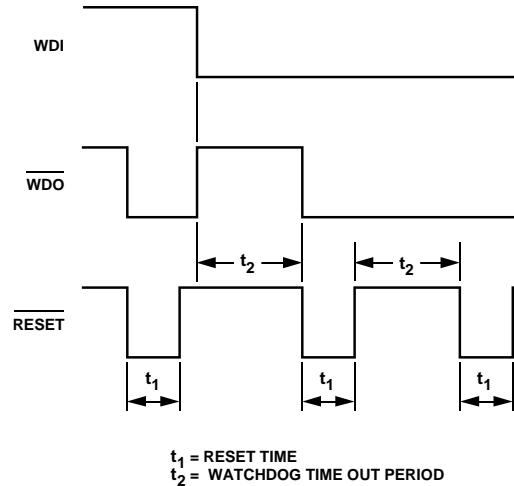
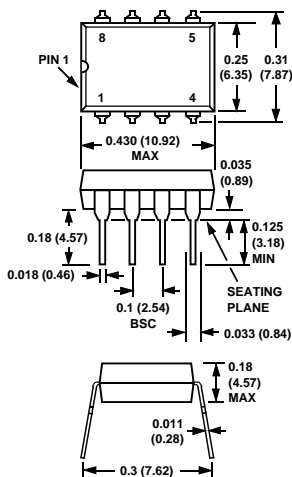


Figure 5. Watchdog Timeout Period and Reset Active Time

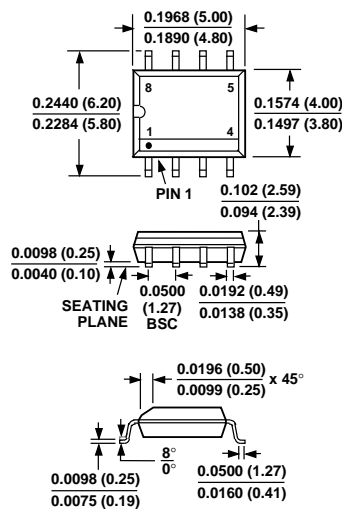
OUTLINE DIMENSIONS

Dimensions shown in inches and (mm).

8-Pin Plastic DIP (N-8)



8-Pin SOIC (R-8)



16-Lead SOIC (R-16)

