

## Excellent Integrated System Limited

Stocking Distributor

Click to view price, real time Inventory, Delivery & Lifecycle Information:

[Triad Magnetics](#)

[C-8X](#)

For any questions, you can email us directly:

[sales@integrated-circuit.com](mailto:sales@integrated-circuit.com)



**Inductors**

**C-8X**

**Description:**

Smoothing chokes are power supply filter chokes having a core with an air gap which prevents saturation at maximum current. Hipot to 1500 VRMS between winding and core for safety.

**Electrical Specifications (@25C):**

Current DC M/A	Inductance †† Henries	Resistance Ohms
75.0	7.0	240.0

†† = Inductance tolerance -20%, + 50 %

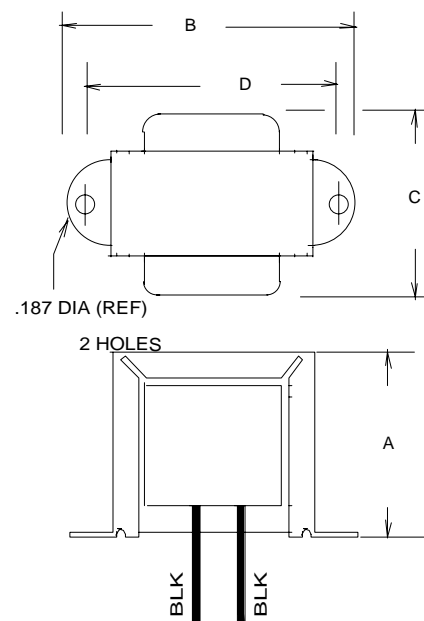
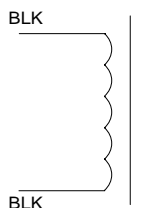
**Dimensions:**

Unit: In inches

A	B	C	D
1.937	3.312	1.750	2.812

Weight: 1.0 lbs.

**Schematic:**



**RoHS Compliance:** As of manufacturing date February 2005, all standard products meet the requirements of 2011/65/EU, known as the RoHS initiative.

\* Upon printing, this document is considered "uncontrolled". Please contact Triad Magnetics' website for the most current version

Web: www.TriadMagnetics.com  
Phone 951-277-0757  
Fax 951-277-2757

460 Harley Knox Blvd.  
Perris, California 92571

Publish Date: December 4, 2013