

Excellent Integrated System Limited

Stocking Distributor

Click to view price, real time Inventory, Delivery & Lifecycle Information:

[Schurter](#)
[4300.0096](#)

For any questions, you can email us directly:
sales@integrated-circuit.com

IEC Appliance Inlet C8, Screw-on Mounting, Rear Side, Solder Terminal



0720-FS

C8

70 °C



Description

- Panel Mount:
Screw-on mounting from rear-side
- 1 Function:
Appliance Inlet,
- Pin temperature 70 °C, Protection class II
- Solder terminals

Approvals

- UL File Number: E96454
- CSA File Number: 73165
- CCC File Number: 2011010204483973

Characteristics

- Contact pins rolled

Weblinks

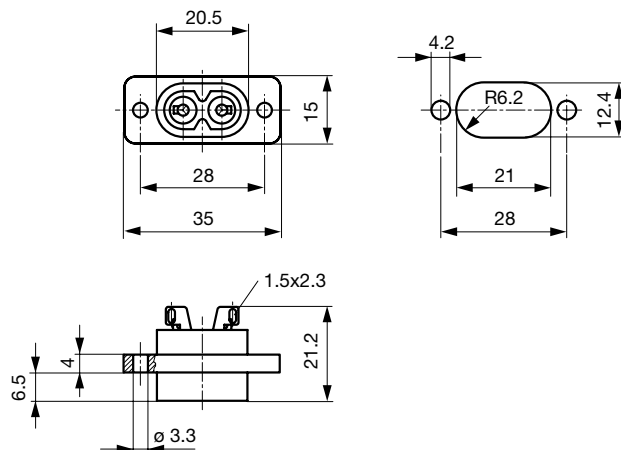
[pdf-datasheet](#), [html-datasheet](#), [General Product Information](#), [RoHS](#), [CHINA-RoHS](#), [REACH](#), [Distributor-Stock-Check](#), [Accessories](#), [Detailed request for product](#)

Technical Data

Ratings IEC	2.5 A / 250 VAC; 50 Hz	Appliance Inlet	C8 acc. to IEC 60320-1,
Ratings UL/CSA	2.5 A / 250 VAC; 60 Hz		UL 498, CSA C22.2 no. 42 (for cold
Dielectric Strength	> 2 kVAC between L-N (1 min/50 Hz)		conditions) pin-temperature 70 °C,
Allowable Operation Temp.	-25 °C to 70 °C		2.5 A, Protection Class II
Degree of Protection	from rear-side IP 40 acc. to IEC 60529		
Protection Class	Suitable for appliances with protection class II acc. to IEC 61140		
Terminal	Solder terminals		
Panel Thickness s	Screw: max 4 mm Mounting screw torque max 0.5 Nm		
Material: Housing	Thermoplastic, black, UL 94V-0		

Dimensions

0720-FS



Solder terminals for wires

0720-FS

Connectors (Inlets/Outlets)
www.schurter.com/PG07

All Variants

Type	Panel mounting	Panel Thickness s [mm]	Terminal	Order Number
0720-FS	Screw	4	Solder terminals	4300.0096

Most Popular.

Availability for all products can be searched real-time: <http://www.schurter.com/Stock-Check/Stock-Check-SCHURTER>

Packaging unit 100 Pcs

Mating Outlets/Connectors

Category / Description

Power Cord Overview complete



Cord Sets 2.5 A, IEC Connector, Black, 2.0 m, H03VH2-F 2x0,75mm², Connector IEC C7, 001500 mm, cord end: [6013.0474](#)

Cord Sets 2.5 A, IEC Connector, Black, 4.0 m, H03VH2-F 2x0,75mm², Connector IEC C7, 001500 mm, cord end: [6013.0478](#)

Kabelverbindung/2.5, IEC Connector, Black, 2.0 m, H03VH2-F 2x0,75mm², Connector IEC C7, 001500 mm, cord end: [6051.0015](#)

[Power Cord further types to 0720-FS](#)

Power Supply Cord Overview complete



Cord Sets 2.5 A, North America, Black, 2.0 m, SVT 2x18AWG, Connector IEC C7, 002500 mm, cord end: [6010.5274](#)

Cord Sets 2.5 A, North America, Black, 4.0 m, SVT 2x18AWG, Connector IEC C7, 002500 mm, cord end: [6010.5278](#)

Kabelverbindung/2.5, North America, Black, 2.5 SVT 2x18AWG, IEC C7, 002500 mm, cord end: [6051.0018](#)

[Power Supply Cord further types to 0720-FS](#)