

Excellent Integrated System Limited

Stocking Distributor

Click to view price, real time Inventory, Delivery & Lifecycle Information:

[Schurter](#)
[0031.8002](#)

For any questions, you can email us directly:
sales@integrated-circuit.com

Fuseholder Open Design, 6.3 x 32 mm, THT



500 VAC · 16 A (UL)



Description

- Through hole mounting

Standards

- UL 4248-1
- CSA C22.2 no. 4248.1

Approvals

- UL File Number: E39328

Weblinks

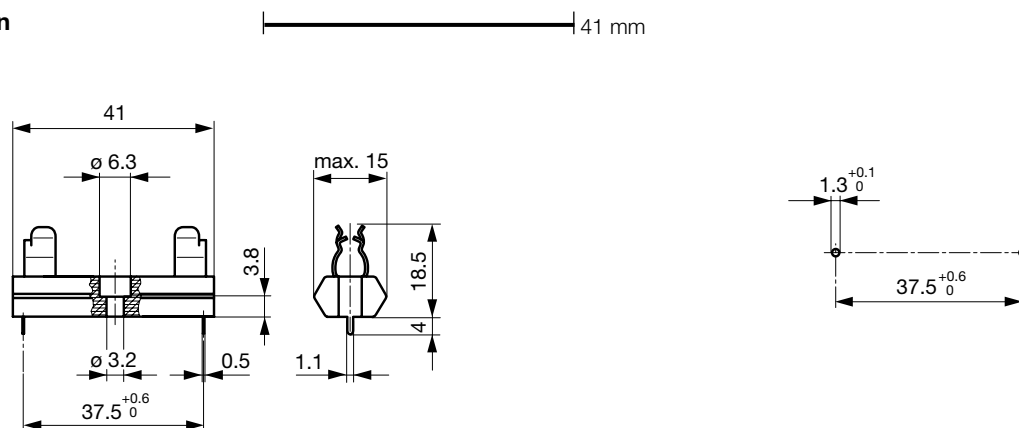
pdf-datasheet, html-datasheet, General Product Information, Approvals, CE declaration of conformity, RoHS, CHINA-RoHS, REACH, SCHURTER-Stock-Check, Distributor-Stock-Check, Detailed request for product

Technical Data

Fuse-Link	6.3 x 32mm
Mounting	PCB
Attachment	Screw, rivet or THT
Terminal	Solder THT
Rated Voltage	500VAC (UL)
Rated current	16A (UL)
Admissible Ambient Air Temp.	-40°C to 85°C
Climatic Category	40/085/21 acc. to IEC 60068-1
Material: Terminals	Tin-Plated Copper Alloy
Unit Weight	7.23 g
Storage Conditions	0°C to 60°C, max. 70% r.h.
Product Marking	Rated Voltage, Rated current, Approvals

Soldering Methods	Wave Soldering Profile
Solderability	245 °C / 3sec acc. to IEC 60068-2-20, Test Ta, method 1
Resistance to Soldering Heat	260 °C / 10sec acc. to IEC 60068-2-20, Test Tb, method 1A
Contact Resistance	< 5 mΩ at 20 mV
Dielectric Strength	> 3kV (50Hz; 1 min)
Impulse Withstand Voltage	> 4kV between Life parts
Insulation Resistance	> 10 MΩ between Life parts (500 VDC; 1 min)

Dimension



Drilling diagram

All Variants

Holder	Order Number
●	0031.8002

0031.8002

Most Popular.

Availability for all products can be searched real-time: <http://www.schurter.com/Stock-Check/Stock-Check-SCHURTER>

Packaging Unit

Bulk (100 pcs.)