

## Excellent Integrated System Limited

Stocking Distributor

Click to view price, real time Inventory, Delivery & Lifecycle Information:

[Schurter](#)  
[0031.1161](#)

For any questions, you can email us directly:  
[sales@integrated-circuit.com](mailto:sales@integrated-circuit.com)

**Fuseholders**

www.schurter.com/PG02

**FEF (Snap)**

Shock-Safe Fuseholder, 5 x 20 mm, Slotted Cap/Fingergrip, Snap Stepless, 0.75 - 3.0 mm



Fingergrip



Variant 2

250 VAC · 4 W/10 A (VDE)10 A (UL/CSA)



**Description**

- Panel Thickness 0.75 - 3.0 mm, Snap stepless

**Standards**

- IEC 60127-6
- UL 4248-1
- CSA 22.2 no. 4248.1

**Approvals**

- VDE Certificate Number: 131952 UG
- UL File Number: E39328

**Weblinks**

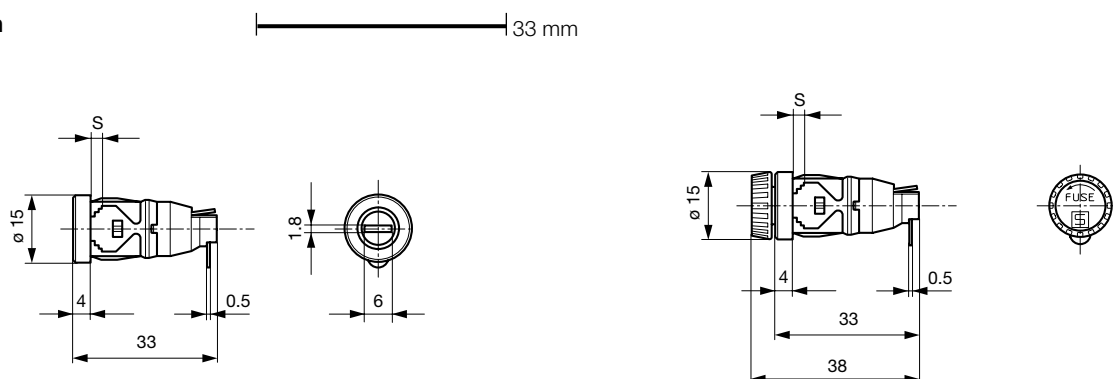
[pdf-datasheet](#), [html-datasheet](#), [General Product Information](#), [Approvals](#), [CE declaration of conformity](#), [RoHS](#), [CHINA-RoHS](#), [REACH](#), [SCHURTER-Stock-Check](#), [Distributor-Stock-Check](#), [Detailed request for product](#)

**Technical Data**

Shock-Safe Category	PC2
Fuse-Link	5 x 20 mm
Mounting	Panel Mount, Front Side
Attachment	Snap-in
Terminal	Solder
Rated Voltage	250 VAC
Rated current	10 A (VDE), 10 A (UL/CSA)
Rated Power Acceptance IEC	4 W / 10 A @ Ta 23 °C
Degree of Protection	IP 40
Admissible Ambient Air Temp.	-40 °C to 85 °C
Climatic Category	40/085/21 acc. to IEC 60068-1
Material: Socket	Thermoplastic, black, UL 94V-0
Material: Cap	Thermoplastic, black, UL 94V-0
Material: Terminals	Tin-Plated Copper Alloy
Unit Weight	6.45 g
Storage Conditions	0 °C to 60 °C, max. 70% r.h.
Product Marking	Type, Rated Voltage, Rated current, Power Rating, Approvals

Soldering Methods	Iron <a href="#">Soldering Profile</a>
Solderability	350 °C / 3 sec acc. to IEC 60068-2-20, Test Ta, method 2
Resistance to Soldering Heat	350 °C / 10 sec acc. to IEC 60068-2-20, Test Tb, method 2
Contact Resistance	≤ 10 mΩ at 20 mV acc. to IEC 60127-6
Dielectric Strength	> 3kV between Life parts (50 Hz; 1 min)
Impulse Withstand Voltage	> 4kV between Life parts
Insulation Resistance	≥ 10 MΩ between Life parts (500 VDC; 1 min)
Overvoltage Category	III acc. to IEC 60664-1
Pollution Degree	2 acc. to IEC 60664-1
Resistance to Vibration	acc. to IEC 60068-2-6, test Fc
Panel Thickness s	0.75 - 3.0 mm

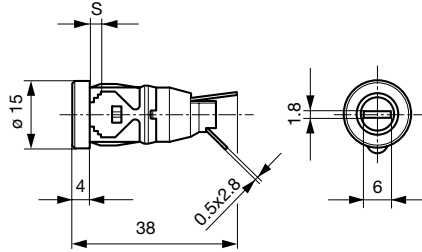
**Dimension**



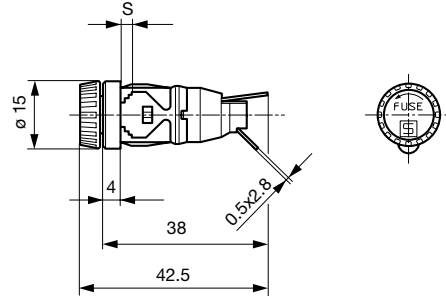
Variant 0031.1091 und 0031.1095

Variant Fingergrip 0031.1901 and 0031.1902

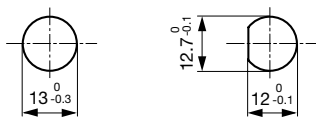
# FEF (Snap)



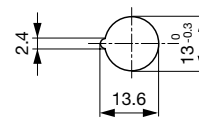
Variant 0031.1161 und 0031.1165



Variant Fingergrip 0031.1913 and 0031.1914

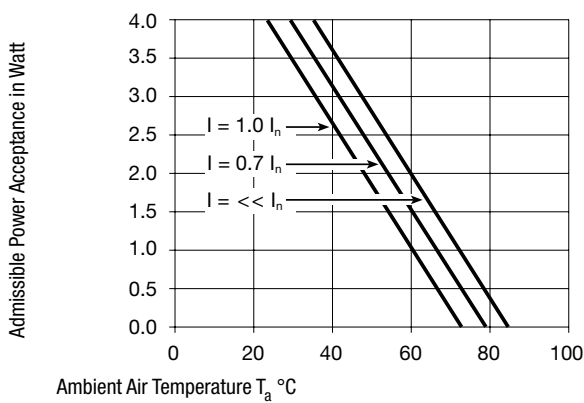


Mounting Holes 0031.1161, 0031.1165, 0031.1913 and 0031.1914



Mounting Holes 0031.1091, 0031.1095, 0031.1901 and 0031.1902

## Derating Curves



## All Variants

Holder	Cap	Panel Thickness s [mm]	Terminal s	Degree of Protection	Order Number
●	slotted	0.75 - 1.5mm	Solder	IP 40	0031.1091
●	slotted	1.8 - 3.0mm	Solder	IP 40	0031.1095
●	Fingergrip	0.75 - 1.5mm	Solder	IP 40	0031.1901
●	Fingergrip	1.8 - 3.0mm	Solder	IP 40	0031.1902
●	slotted	0.75 - 1.5mm	Solder	IP 40	0031.1161
●	slotted	1.8 - 3.0mm	Solder	IP 40	0031.1165
●	Fingergrip	0.75 - 1.5mm	Solder	IP 40	0031.1913
●	Fingergrip	1.8 - 3.0mm	Solder	IP 40	0031.1914

Most Popular.

Availability for all products can be searched real-time: <http://www.schurter.com/Stock-Check/Stock-Check-SCHURTER>

Quick-Connect Terminals on Request

**Fuseholders**

[www.schurter.com/PG02](http://www.schurter.com/PG02)

**FEF (Snap)**

**Packaging Unit**

Bulk (100 pcs.)