

## Excellent Integrated System Limited

Stocking Distributor

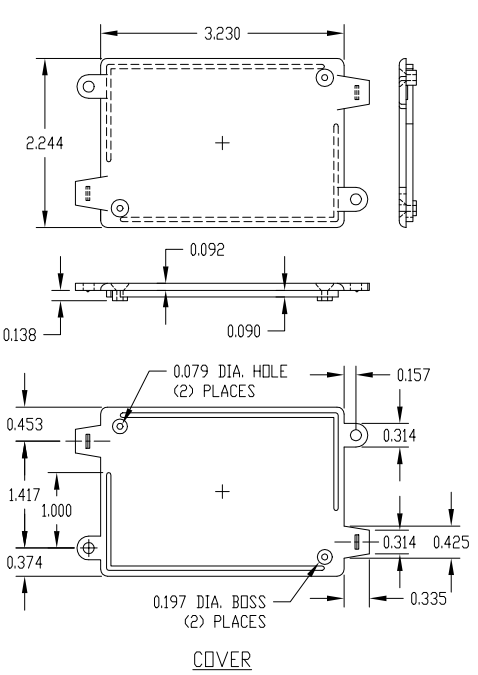
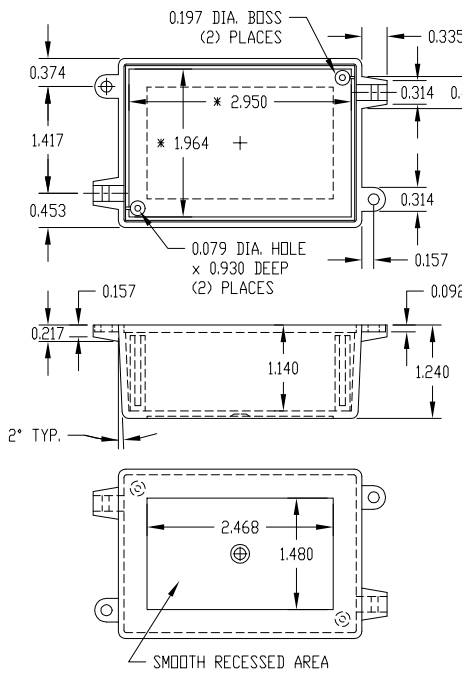
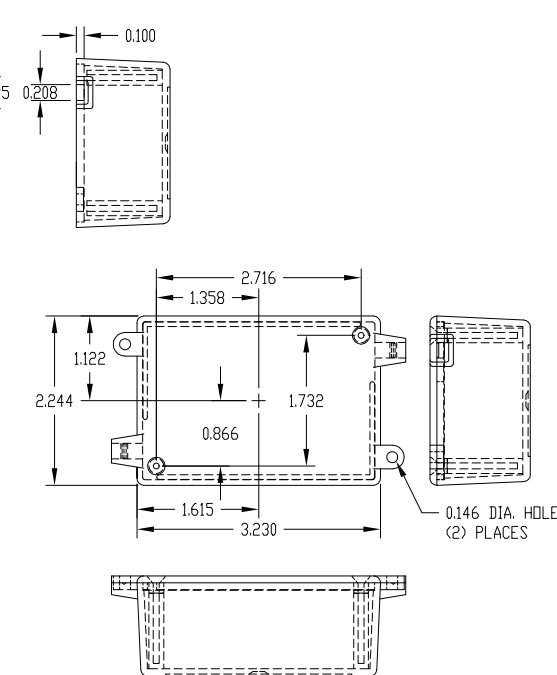
Click to view price, real time Inventory, Delivery & Lifecycle Information:

[BUD Industries, Inc.](#)

[CU-1954](#)

For any questions, you can email us directly:

[sales@integrated-circuit.com](mailto:sales@integrated-circuit.com)

PART NAME	UTILIBOX (STYLE K)	PART No.	CU-1954	REV. DATE
	<p>MATERIAL: HIGH-IMPACT ABS (FLAMMABILITY RATING OF UL94-HB) FINISH: BLACK TEXTURED WITH SMOOTH INSERT AREA IN BODY ALL DIMENSIONS HAVE ±0.015 TOLERANCE.</p>  <p style="text-align: center;"><u>COVER</u></p>	<p>TWO (2) M2.2 x 0.8 x 10mm L.G. SCREWS SUPPLIED FOR ASSEMBLING COVER TO BODY.</p> <p>TWO MOLDED-IN PROTRUDING WIRE/CABLE ENTRY POINTS.</p> <p>* - THESE DIMENSIONS ARE AT THE BOTTOM OF THE BODY.</p>  <p style="text-align: center;"><u>BODY</u></p>	 <p style="text-align: center;"><u>ASSEMBLED BOX</u></p>	