

## Excellent Integrated System Limited

Stocking Distributor

Click to view price, real time Inventory, Delivery & Lifecycle Information:

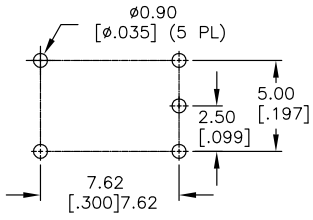
[E-Switch](#)  
[TL6105DF160QP](#)

For any questions, you can email us directly:

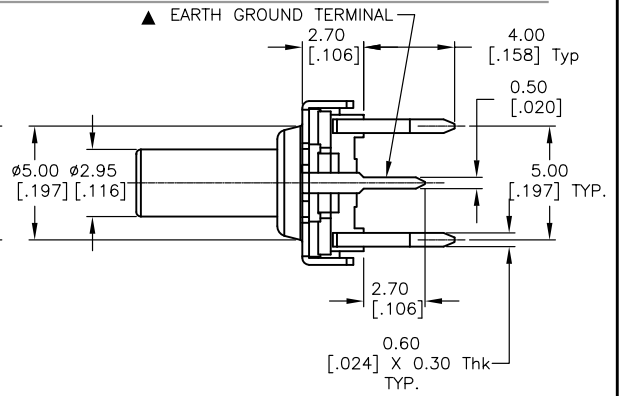
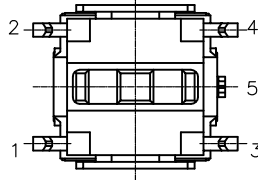
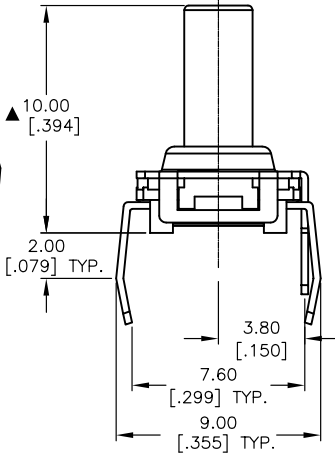
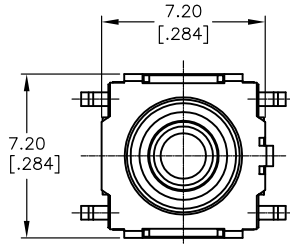
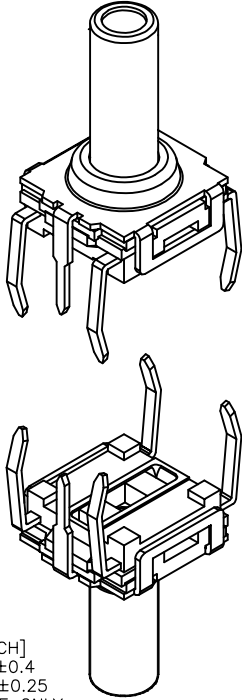
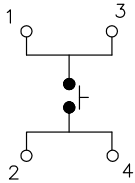
[sales@integrated-circuit.com](mailto:sales@integrated-circuit.com)

SHEET 1 OF 1

P.C.B LAND PATTERN



CIRCUIT DIAGRAM



- NOTES:
- ALL DIMENSIONS IN MM [INCH]
  - GENERAL TOLERANCE: X.X=±0.4  
X.XX=±0.25
  - TERM. NOS. FOR REFERENCE ONLY.
  - ▲ OPERATING FORCE: 160±50gf
  - MECHANICAL/ELECTRICAL LIFE: 300,000 CYCLES
  - TRAVEL: 0.25 +0.1mm
  - SWITCH VOLTAGE(MAX.): 50V
  - SWITCH POWER(MAX.): 1VA
  - CONTACT RESISTANCE: 50MILLI Ω @ 5VDC.
  - INSULATION RESISTANCE: 10000M Ω min.
  - BOUNCE(MAX.): <5m SEC.
  - OPERATING TEMPERATURE: -40°C TO +85°C
  - STORAGE TEMPERATURE: -55°C TO +85°C
  - PACKAGING: TUBE
  - ▲ DONOTES CRITICAL PARAMETER.

**E-SWITCH®**

TITLE				TL6105DF160QP			
SCALE	DATE	DR	DWG	REV			
4:1	5/20/04	AR	D350506	A			

A	13033	RELEASED FOR PRODUCTION	5/20/04	AR
REV.	ECN No.	DESCRIPTION	DATE	CHKD
<small>THE INFORMATION CONTAINED IN THIS DOCUMENT IS PROPRIETARY TO E-SWITCH AND IS NOT TO BE COPIED OR TRANSFERRED</small>				