

## Excellent Integrated System Limited

Stocking Distributor

Click to view price, real time Inventory, Delivery & Lifecycle Information:

[ON Semiconductor](#)  
[NUD3124LT1](#)

For any questions, you can email us directly:

[sales@integrated-circuit.com](mailto:sales@integrated-circuit.com)

# NUD3124, SZNUD3124

## Automotive Inductive Load Driver

This micro-integrated part provides a single component solution to switch inductive loads such as relays, solenoids, and small DC motors without the need of a free-wheeling diode. It accepts logic level inputs, thus allowing it to be driven by a large variety of devices including logic gates, inverters, and microcontrollers.

### Features

- Provides Robust Interface between D.C. Relay Coils and Sensitive Logic
- Capable of Driving Relay Coils Rated up to 150 mA at 12 Volts
- Replaces 3 or 4 Discrete Components for Lower Cost
- Internal Zener Eliminates Need for Free-Wheeling Diode
- Meets Load Dump and other Automotive Specs
- SZ Prefix for Automotive and Other Applications Requiring Unique Site and Control Change Requirements; AEC-Q101 Qualified and PPAP Capable
- These are Pb-Free Devices

### Typical Applications

- Automotive and Industrial Environment
- Drives Window, Latch, Door, and Antenna Relays

### Benefits

- Reduced PCB Space
- Standardized Driver for Wide Range of Relays
- Simplifies Circuit Design and PCB Layout
- Compliance with Automotive Specifications



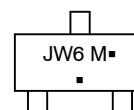
**ON Semiconductor®**

<http://onsemi.com>

### MARKING DIAGRAMS



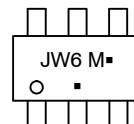
**SOT-23  
CASE 318  
STYLE 21**



JW6 = Specific Device Code  
 M = Date Code  
 ■ = Pb-Free Package  
 (Note: Microdot may be in either location)



**SC-74  
CASE 318F  
STYLE 7**



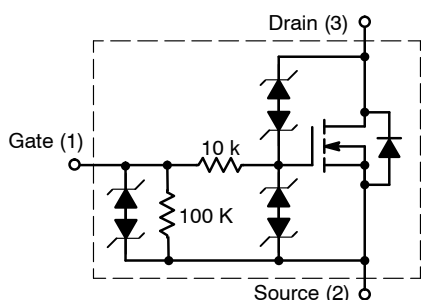
JW6 = Specific Device Code  
 M = Date Code  
 ■ = Pb-Free Package  
 (Note: Microdot may be in either location)

### ORDERING INFORMATION

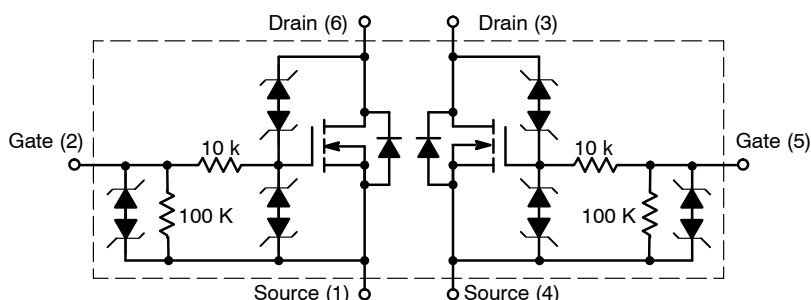
Device	Package	Shipping†
NUD3124LT1G	SOT-23 (Pb-Free)	3000 / Tape & Reel
SZNUD3124LT1G	SOT-23 (Pb-Free)	3000 / Tape & Reel
NUD3124DMT1G	SC-74 (Pb-Free)	3000 / Tape & Reel
SZNUD3124DMT1G	SC-74 (Pb-Free)	3000 / Tape & Reel

†For information on tape and reel specifications, including part orientation and tape sizes, please refer to our Tape and Reel Packaging Specification Brochure, BRD8011/D.

### INTERNAL CIRCUIT DIAGRAMS



CASE 318



CASE 318F

## NUD3124, SZNUD3124

**MAXIMUM RATINGS** ( $T_J = 25^\circ\text{C}$  unless otherwise specified)

Symbol	Rating	Value	Unit
$V_{DSS}$	Drain-to-Source Voltage – Continuous ( $T_J = 125^\circ\text{C}$ )	28	V
$V_{GSS}$	Gate-to-Source Voltage – Continuous ( $T_J = 125^\circ\text{C}$ )	12	V
$I_D$	Drain Current – Continuous ( $T_J = 125^\circ\text{C}$ )	150	mA
$E_Z$	Single Pulse Drain-to-Source Avalanche Energy (For Relay's Coils/Inductive Loads of 80 $\Omega$ or Higher) ( $T_J$ Initial = $85^\circ\text{C}$ )	250	mJ
$P_{PK}$	Peak Power Dissipation, Drain-to-Source (Notes 1 and 2) ( $T_J$ Initial = $85^\circ\text{C}$ )	20	W
$E_{LD1}$	Load Dump Suppressed Pulse, Drain-to-Source (Notes 3 and 4) (Suppressed Waveform: $V_s = 45\text{ V}$ , $R_{SOURCE} = 0.5\ \Omega$ , $T = 200\text{ ms}$ ) (For Relay's Coils/Inductive Loads of 80 $\Omega$ or Higher) ( $T_J$ Initial = $85^\circ\text{C}$ )	80	V
$E_{LD2}$	Inductive Switching Transient 1, Drain-to-Source (Waveform: $R_{SOURCE} = 10\ \Omega$ , $T = 2.0\text{ ms}$ ) (For Relay's Coils/Inductive Loads of 80 $\Omega$ or Higher) ( $T_J$ Initial = $85^\circ\text{C}$ )	100	V
$E_{LD3}$	Inductive Switching Transient 2, Drain-to-Source (Waveform: $R_{SOURCE} = 4.0\ \Omega$ , $T = 50\ \mu\text{s}$ ) (For Relay's Coils/Inductive Loads of 80 $\Omega$ or Higher) ( $T_J$ Initial = $85^\circ\text{C}$ )	300	V
Rev-Bat	Reverse Battery, 10 Minutes (Drain-to-Source) (For Relay's Coils/Inductive Loads of 80 $\Omega$ or more)	-14	V
Dual-Volt	Dual Voltage Jump Start, 10 Minutes (Drain-to-Source)	28	V
ESD	Human Body Model (HBM) According to EIA/JESD22/A114 Specification	2,000	V

Stresses exceeding Maximum Ratings may damage the device. Maximum Ratings are stress ratings only. Functional operation above the Recommended Operating Conditions is not implied. Extended exposure to stresses above the Recommended Operating Conditions may affect device reliability.

1. Nonrepetitive current square pulse 1.0 ms duration.
2. For different square pulse durations, see Figure 2.
3. Nonrepetitive load dump suppressed pulse per Figure 3.
4. For relay's coils/inductive loads higher than 80  $\Omega$ , see Figure 4.

## NUD3124, SZNUD3124

### THERMAL CHARACTERISTICS

Symbol	Rating	Value	Unit	
$T_A$	Operating Ambient Temperature	-40 to 125	°C	
$T_J$	Maximum Junction Temperature	150	°C	
$T_{STG}$	Storage Temperature Range	-65 to 150	°C	
$P_D$	Total Power Dissipation (Note 5) Derating above 25°C	SOT-23	225	mW
			1.8	mW/°C
$P_D$	Total Power Dissipation (Note 5) Derating above 25°C	SC-74	380	mW
			3.0	mW/°C
$R_{\theta JA}$	Thermal Resistance Junction-to-Ambient (Note 5)	SOT-23	556	°C/W
		SC-74	329	

5. Mounted onto minimum pad board.

## NUD3124, SZNUD3124

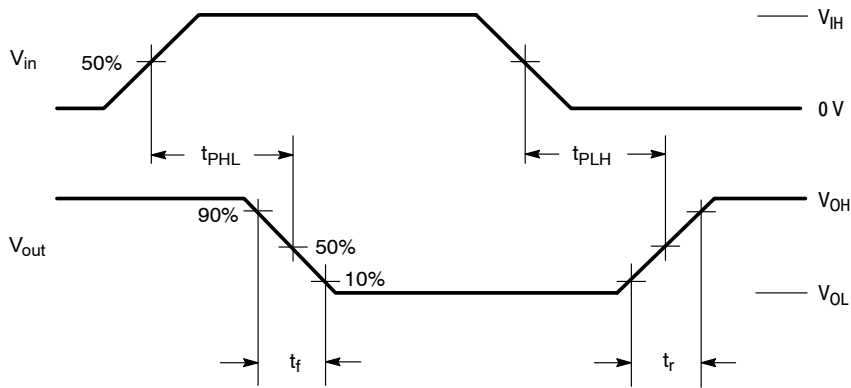
**ELECTRICAL CHARACTERISTICS** ( $T_J = 25^\circ\text{C}$  unless otherwise specified)

Characteristic	Symbol	Min	Typ	Max	Unit
<b>OFF CHARACTERISTICS</b>					
Drain to Source Sustaining Voltage ( $I_D = 10\text{ mA}$ )	$V_{BRDSS}$	28	34	38	V
Drain to Source Leakage Current ( $V_{DS} = 12\text{ V}, V_{GS} = 0\text{ V}$ ) ( $V_{DS} = 12\text{ V}, V_{GS} = 0\text{ V}, T_J = 125^\circ\text{C}$ ) ( $V_{DS} = 28\text{ V}, V_{GS} = 0\text{ V}$ ) ( $V_{DS} = 28\text{ V}, V_{GS} = 0\text{ V}, T_J = 125^\circ\text{C}$ )	$I_{DSS}$	-	-	0.5 1.0 50 80	$\mu\text{A}$
Gate Body Leakage Current ( $V_{GS} = 3.0\text{ V}, V_{DS} = 0\text{ V}$ ) ( $V_{GS} = 3.0\text{ V}, V_{DS} = 0\text{ V}, T_J = 125^\circ\text{C}$ ) ( $V_{GS} = 5.0\text{ V}, V_{DS} = 0\text{ V}$ ) ( $V_{GS} = 5.0\text{ V}, V_{DS} = 0\text{ V}, T_J = 125^\circ\text{C}$ )	$I_{GSS}$	-	-	60 80 90 110	$\mu\text{A}$
<b>ON CHARACTERISTICS</b>					
Gate Threshold Voltage ( $V_{GS} = V_{DS}, I_D = 1.0\text{ mA}$ ) ( $V_{GS} = V_{DS}, I_D = 1.0\text{ mA}, T_J = 125^\circ\text{C}$ )	$V_{GS(th)}$	1.3 1.3	1.8 -	2.0 2.0	V
Drain to Source On-Resistance ( $I_D = 150\text{ mA}, V_{GS} = 3.0\text{ V}$ ) ( $I_D = 150\text{ mA}, V_{GS} = 3.0\text{ V}, T_J = 125^\circ\text{C}$ ) ( $I_D = 150\text{ mA}, V_{GS} = 5.0\text{ V}$ ) ( $I_D = 150\text{ mA}, V_{GS} = 5.0\text{ V}, T_J = 125^\circ\text{C}$ )	$R_{DS(on)}$	-	-	1.4 1.7 0.8 1.1	$\Omega$
Output Continuous Current ( $V_{DS} = 0.25\text{ V}, V_{GS} = 3.0\text{ V}$ ) ( $V_{DS} = 0.25\text{ V}, V_{GS} = 3.0\text{ V}, T_J = 125^\circ\text{C}$ )	$I_{DS(on)}$	150 140	200 -	- -	mA
Forward Transconductance ( $V_{DS} = 12\text{ V}, I_D = 150\text{ mA}$ )	$g_{FS}$	-	500	-	mmho
<b>DYNAMIC CHARACTERISTICS</b>					
Input Capacitance ( $V_{DS} = 12\text{ V}, V_{GS} = 0\text{ V}, f = 10\text{ kHz}$ )	$C_{iss}$	-	32	-	pf
Output Capacitance ( $V_{DS} = 12\text{ V}, V_{GS} = 0\text{ V}, f = 10\text{ kHz}$ )	$C_{oss}$	-	21	-	pf
Transfer Capacitance ( $V_{DS} = 12\text{ V}, V_{GS} = 0\text{ V}, f = 10\text{ kHz}$ )	$C_{rss}$	-	8.0	-	pf
<b>SWITCHING CHARACTERISTICS</b>					
Propagation Delay Times: High to Low Propagation Delay; Figure 1, ( $V_{DS} = 12\text{ V}, V_{GS} = 3.0\text{ V}$ ) Low to High Propagation Delay; Figure 1, ( $V_{DS} = 12\text{ V}, V_{GS} = 3.0\text{ V}$ )	$t_{PHL}$ $t_{PLH}$	-	890 912	-	ns
High to Low Propagation Delay; Figure 1, ( $V_{DS} = 12\text{ V}, V_{GS} = 5.0\text{ V}$ ) Low to High Propagation Delay; Figure 1, ( $V_{DS} = 12\text{ V}, V_{GS} = 5.0\text{ V}$ )	$t_{PHL}$ $t_{PLH}$	-	324 1280	-	ns
Transition Times: Fall Time; Figure 1, ( $V_{DS} = 12\text{ V}, V_{GS} = 3.0\text{ V}$ ) Rise Time; Figure 1, ( $V_{DS} = 12\text{ V}, V_{GS} = 3.0\text{ V}$ )	$t_f$ $t_r$	-	2086 708	-	ns
Fall Time; Figure 1, ( $V_{DS} = 12\text{ V}, V_{GS} = 5.0\text{ V}$ ) Rise Time; Figure 1, ( $V_{DS} = 12\text{ V}, V_{GS} = 5.0\text{ V}$ )	$t_f$ $t_r$	-	556 725	-	ns

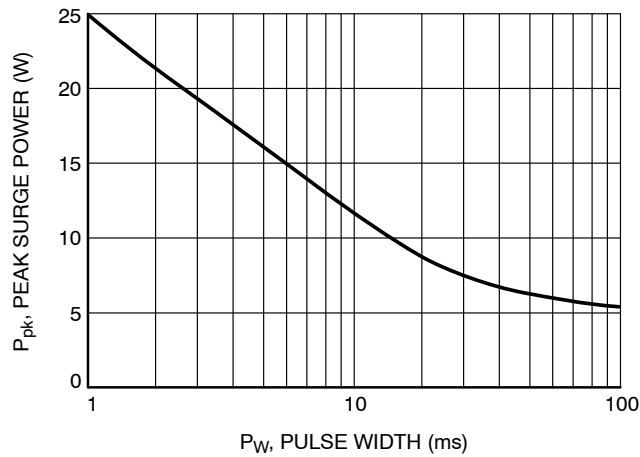
**NUD3124, SZNUD3124**

**TYPICAL PERFORMANCE CURVES**

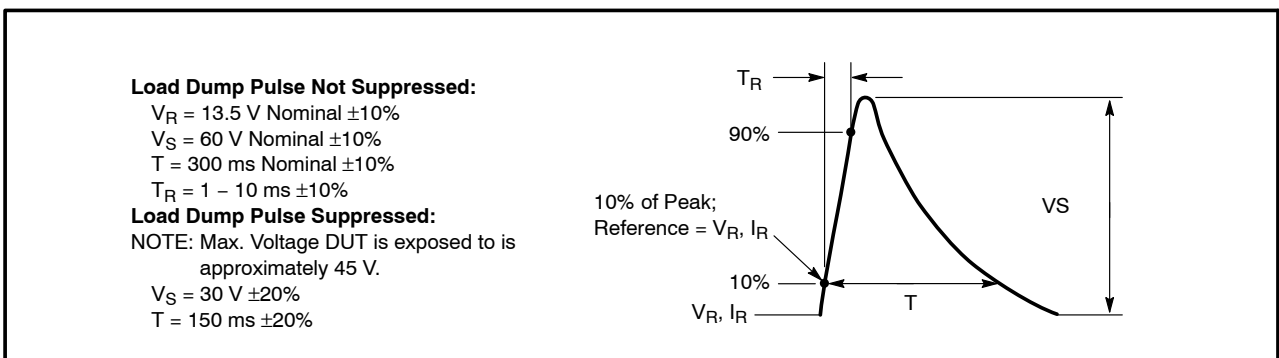
( $T_J = 25^\circ\text{C}$  unless otherwise noted)



**Figure 1. Switching Waveforms**

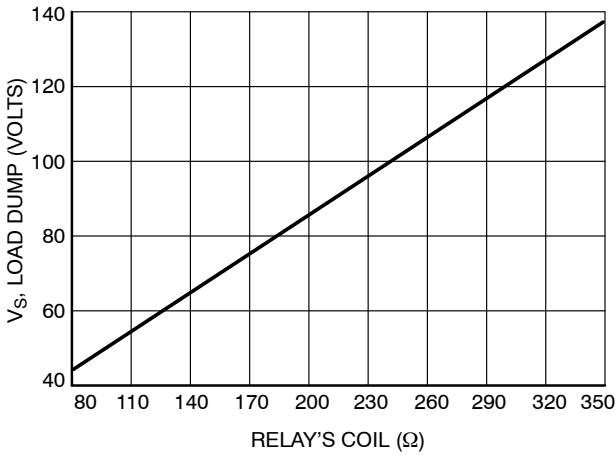


**Figure 2. Maximum Non-repetitive Surge Power versus Pulse Width**

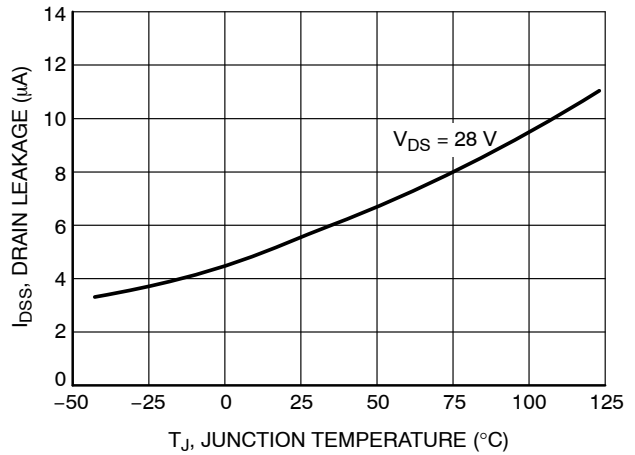


**Figure 3. Load Dump Waveform Definition**

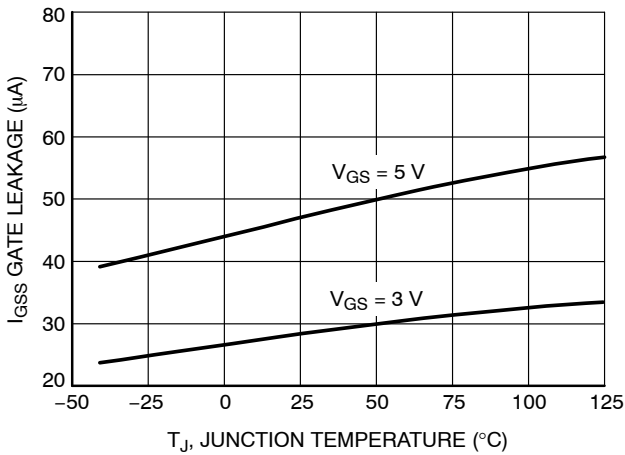
**NUD3124, SZNUD3124**



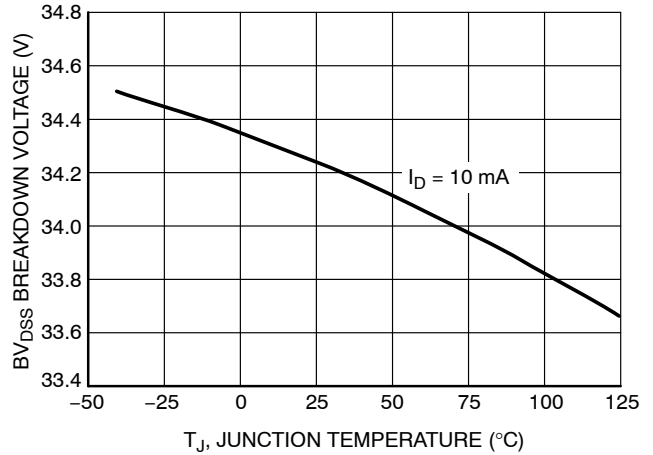
**Figure 4. Load Dump Capability versus Relay's Coil dc Resistance**



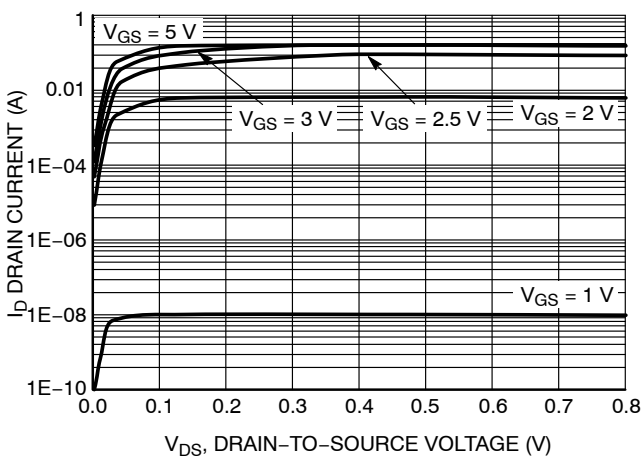
**Figure 5. Drain-to-Source Leakage versus Junction Temperature**



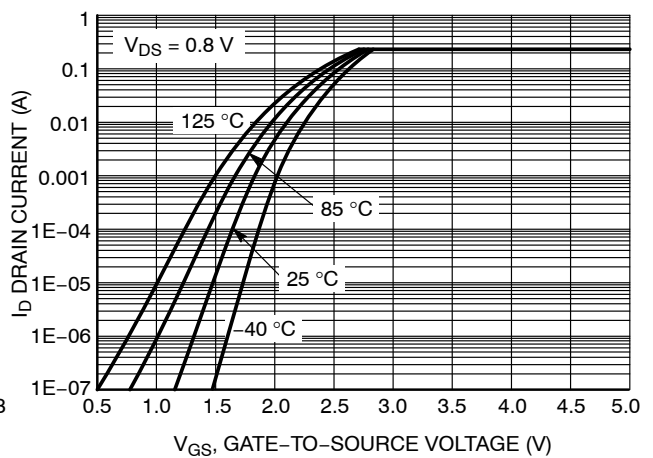
**Figure 6. Gate-to-Source Leakage versus Junction Temperature**



**Figure 7. Breakdown Voltage versus Junction Temperature**

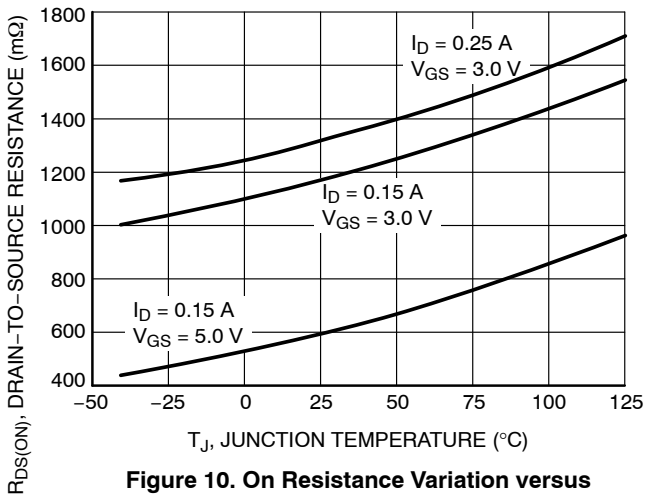


**Figure 8. Output Characteristics**

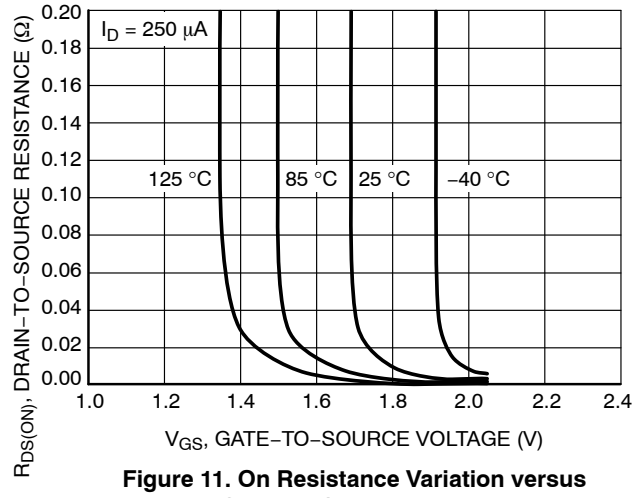


**Figure 9. Transfer Function**

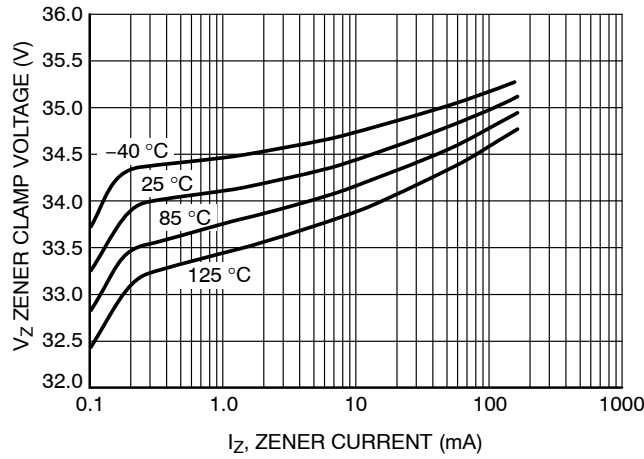
**NUD3124, SZNUD3124**



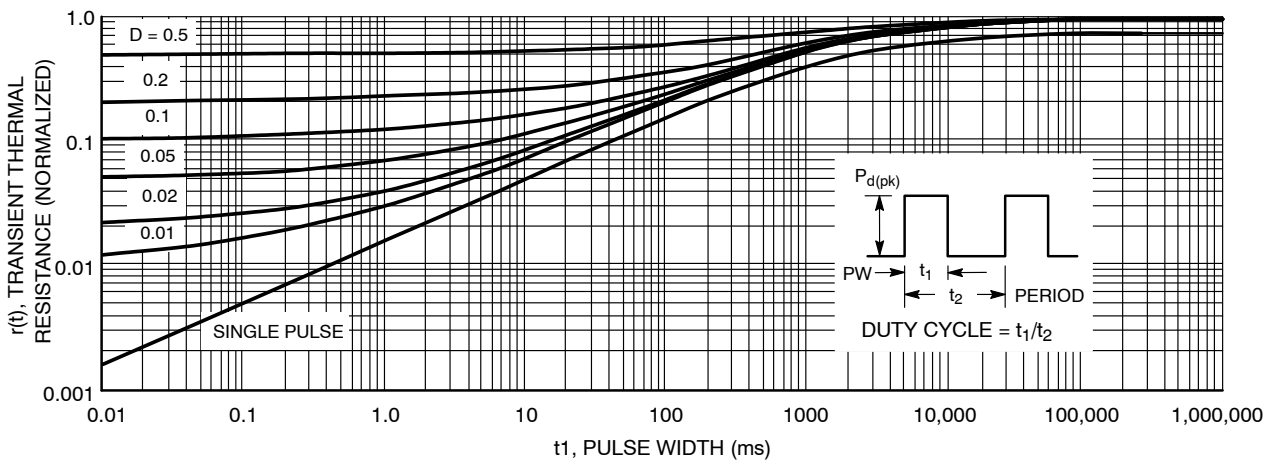
**Figure 10. On Resistance Variation versus Junction Temperature**



**Figure 11. On Resistance Variation versus Gate-to-Source Voltage**



**Figure 12. Zener Clamp Voltage versus Zener Current**

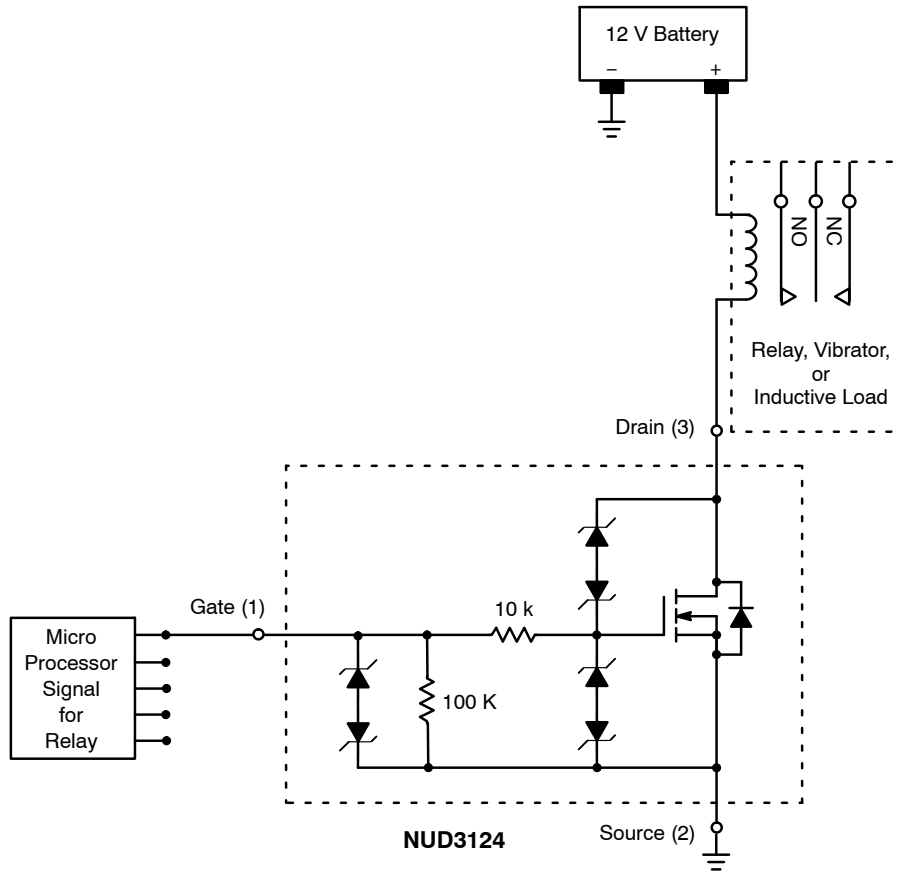


**Figure 13. Transient Thermal Response for NUD3124LT1G**



**NUD3124, SZNUD3124**

**APPLICATIONS INFORMATION**

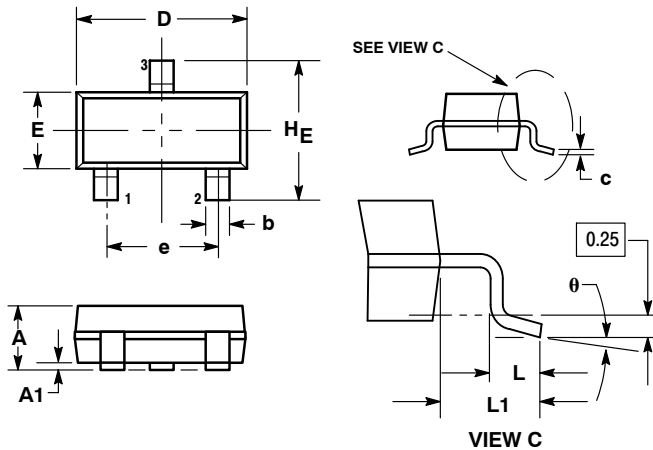


**Figure 14. Applications Diagram**

**NUD3124, SZNUD3124**

**PACKAGE DIMENSIONS**

**SOT-23 (TO-236)**  
CASE 318-08  
ISSUE AP



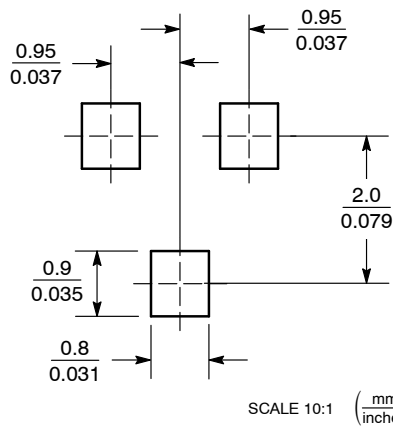
NOTES:

1. DIMENSIONING AND TOLERANCING PER ANSI Y14.5M, 1982.
2. CONTROLLING DIMENSION: INCH.
3. MAXIMUM LEAD THICKNESS INCLUDES LEAD FINISH THICKNESS. MINIMUM LEAD THICKNESS IS THE MINIMUM THICKNESS OF BASE MATERIAL.
4. DIMENSIONS D AND E DO NOT INCLUDE MOLD FLASH, PROTRUSIONS, OR GATE BURRS.

DIM	MILLIMETERS			INCHES		
	MIN	NOM	MAX	MIN	NOM	MAX
A	0.89	1.00	1.11	0.035	0.040	0.044
A1	0.01	0.06	0.10	0.001	0.002	0.004
b	0.37	0.44	0.50	0.015	0.018	0.020
c	0.09	0.13	0.18	0.003	0.005	0.007
D	2.80	2.90	3.04	0.110	0.114	0.120
E	1.20	1.30	1.40	0.047	0.051	0.055
e	1.78	1.90	2.04	0.070	0.075	0.081
L	0.10	0.20	0.30	0.004	0.008	0.012
L1	0.35	0.54	0.69	0.014	0.021	0.029
HE	2.10	2.40	2.64	0.083	0.094	0.104
θ	0°	---	10°	0°	---	10°

STYLE 21:  
PIN 1. GATE  
2. SOURCE  
3. DRAIN

**SOLDERING FOOTPRINT\***

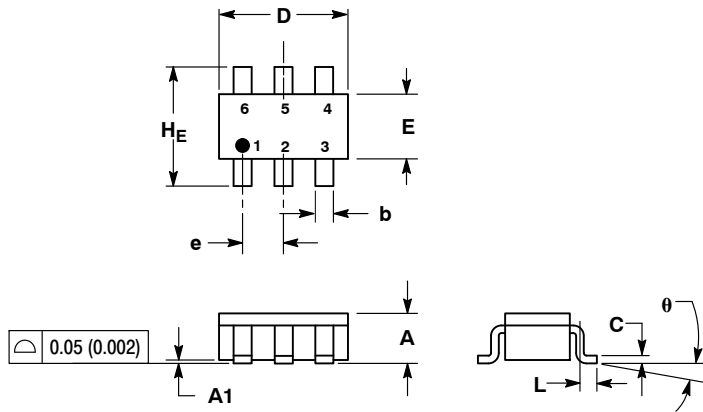


\*For additional information on our Pb-Free strategy and soldering details, please download the ON Semiconductor Soldering and Mounting Techniques Reference Manual, SOLDERRM/D.

## NUD3124, SZNUD3124

### PACKAGE DIMENSIONS

SC-74  
 CASE 318F-05  
 ISSUE M



NOTES:

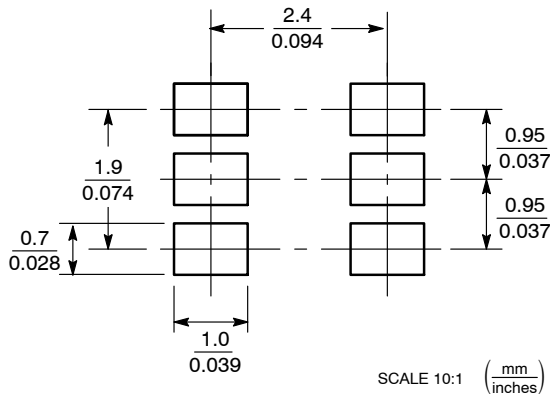
1. DIMENSIONING AND TOLERANCING PER ANSI Y14.5M, 1982.
2. CONTROLLING DIMENSION: INCH.
3. MAXIMUM LEAD THICKNESS INCLUDES LEAD FINISH THICKNESS. MINIMUM LEAD THICKNESS IS THE MINIMUM THICKNESS OF BASE MATERIAL.
4. 318F-01, -02, -03, -04 OBSOLETE. NEW STANDARD 318F-05.

DIM	MILLIMETERS			INCHES		
	MIN	NOM	MAX	MIN	NOM	MAX
A	0.90	1.00	1.10	0.035	0.039	0.043
A1	0.01	0.06	0.10	0.001	0.002	0.004
b	0.25	0.37	0.50	0.010	0.015	0.020
c	0.10	0.18	0.26	0.004	0.007	0.010
D	2.90	3.00	3.10	0.114	0.118	0.122
E	1.30	1.50	1.70	0.051	0.059	0.067
e	0.85	0.95	1.05	0.034	0.037	0.041
L	0.20	0.40	0.60	0.008	0.016	0.024
HE	2.50	2.75	3.00	0.099	0.108	0.118
θ	0°	-	10°	0°	-	10°

STYLE 7:

- PIN 1. SOURCE 1  
 2. GATE 1  
 3. DRAIN 2  
 4. SOURCE 2  
 5. GATE 2  
 6. DRAIN 1

#### SOLDERING FOOTPRINT\*



\*For additional information on our Pb-Free strategy and soldering details, please download the ON Semiconductor Soldering and Mounting Techniques Reference Manual, SOLDERRM/D.

ON Semiconductor and are registered trademarks of Semiconductor Components Industries, LLC (SCILLC). SCILLC reserves the right to make changes without further notice to any products herein. SCILLC makes no warranty, representation or guarantee regarding the suitability of its products for any particular purpose, nor does SCILLC assume any liability arising out of the application or use of any product or circuit, and specifically disclaims any and all liability, including without limitation special, consequential or incidental damages. "Typical" parameters which may be provided in SCILLC data sheets and/or specifications can and do vary in different applications and actual performance may vary over time. All operating parameters, including "Typicals" must be validated for each customer application by customer's technical experts. SCILLC does not convey any license under its patent rights nor the rights of others. SCILLC products are not designed, intended, or authorized for use as components in systems intended for surgical implant into the body, or other applications intended to support or sustain life, or for any other application in which the failure of the SCILLC product could create a situation where personal injury or death may occur. Should Buyer purchase or use SCILLC products for any such unintended or unauthorized application, Buyer shall indemnify and hold SCILLC and its officers, employees, subsidiaries, affiliates, and distributors harmless against all claims, costs, damages, and expenses, and reasonable attorney fees arising out of, directly or indirectly, any claim of personal injury or death associated with such unintended or unauthorized use, even if such claim alleges that SCILLC was negligent regarding the design or manufacture of the part. SCILLC is an Equal Opportunity/Affirmative Action Employer. This literature is subject to all applicable copyright laws and is not for resale in any manner.

#### PUBLICATION ORDERING INFORMATION

LITERATURE FULFILLMENT:

Literature Distribution Center for ON Semiconductor  
 P.O. Box 5163, Denver, Colorado 80217 USA  
 Phone: 303-675-2175 or 800-344-3860 Toll Free USA/Canada  
 Fax: 303-675-2176 or 800-344-3867 Toll Free USA/Canada  
 Email: orderlit@onsemi.com

N. American Technical Support: 800-282-9855 Toll Free USA/Canada

Europe, Middle East and Africa Technical Support:  
 Phone: 421 33 790 2910

Japan Customer Focus Center  
 Phone: 81-3-5817-1050

ON Semiconductor Website: [www.onsemi.com](http://www.onsemi.com)

Order Literature: <http://www.onsemi.com/orderlit>

For additional information, please contact your local Sales Representative