



## **Excellent Integrated System Limited**

Stocking Distributor

Click to view price, real time Inventory, Delivery & Lifecycle Information:

[CUI Inc.](#)  
[DPD120080-P1P-TK](#)

For any questions, you can email us directly:  
[sales@integrated-circuit.com](mailto:sales@integrated-circuit.com)



Part No: DPD120080-P1P-TK

Date: 8/6/04

Description: Power Supply

Unit: mm

Page No: 1 of 6

### TEST DATA

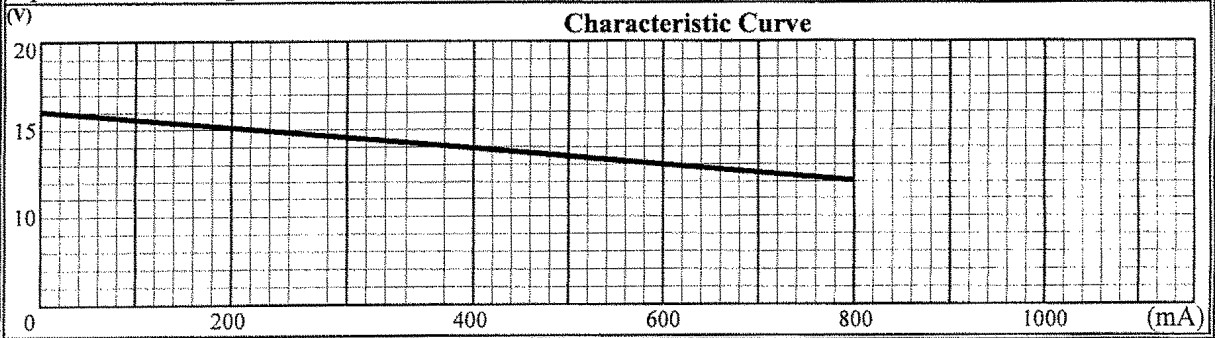
ITEM	SPEC	SAMPLE									
		1	2	3	4	5	6	7	8	9	10
Primary Exciting Current Input 120 VAC , 60 Hz	95 mA max	67	62	59							
Primary Load Current Input 120 VAC , 60 Hz	220 mA # max	158	157	157							
Secondary No Load DC Voltage	16V ±5%	16.12	16.19	16.18							
Secondary DC Voltage Load 800 mA	12V ±5%	11.98	12	12.02							
Secondary Voltage Load mA	V ± %										
Secondary Voltage Load mA	V ± %										
Secondary Voltage Load mA	V ± %										
Secondary Voltage Load mA	V ± %										
Ripple Voltage Load 800 mA (PK-PK)	2V max	1.5	1.5	1.5							
Hi-Pot Test 3 mA for 3Sec.	Pri. to Sec.	2K VAC	OK	OK	OK						
	Pri. to Core	2K VAC	OK	OK	OK						
	Sec. to Core	1.5K VAC	OK	OK	OK						

Temperature Rise: 70°C MAX measured By Resistance Method (Primary Winding)  
 Core Film: SPLIT Core : EI-41

Testing Circuit: 2200uF/25V

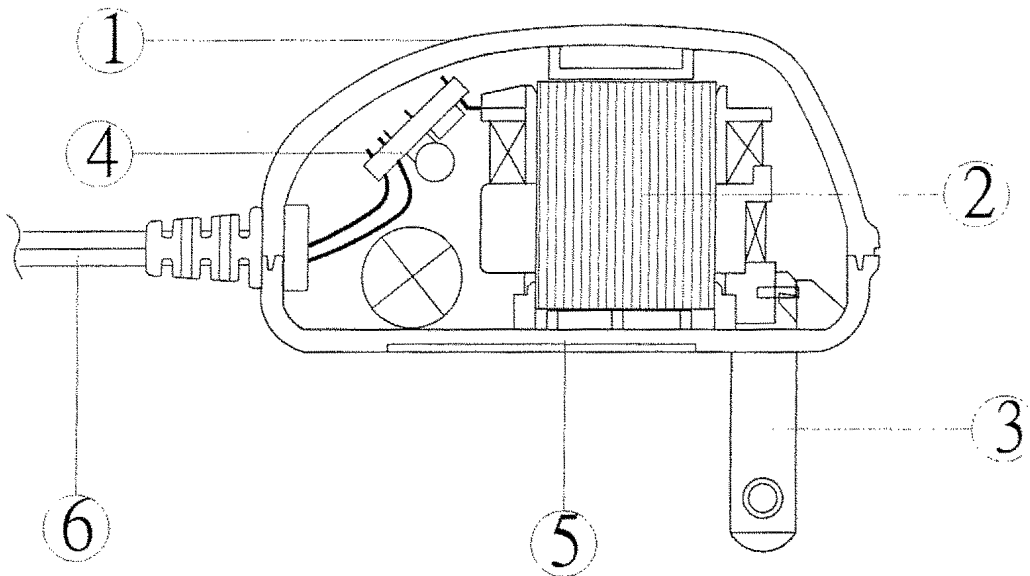
Output Plug Drawing:  
 PLUG:3.5\*14mm

Output conductor length: 6 ft min (AWG#22 )  
 Input conductor length: ft min (AWG# )



## DC Adaptor Specifications

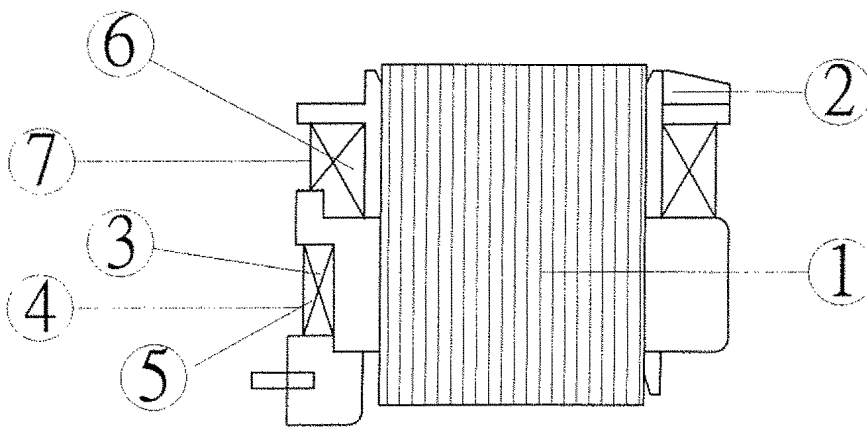
### Internal Construction Drawing and Parts List (Unit: Set or EA)



Part Name	Specification	Q'ty
1. Enclosure	Noryl SE1 94V-0 105°C	
	Noryl SE-100 94V-0 95°C	
	Noryl PX1700 94V-0 95°C	
	940(f1) 94V-0 130°C	
2. Transformer	EI-41	1
3. Blade	Ni plated brass	2
<b>4. Print Wiring Board Assembly</b>		
Print Wiring Board	04V0 94V-0 130°C	1
	11 94V-0 105°C	
	13 94V-0 130°C	
	BF-3 94V-0 130°C	
Diode	1A 400-700V IN4004-IN4007	4
Capacitor	2200uF 25V 85°C	1
5. Name Plate	Polyester Film	1
6. Output Cord	AWG#22 6FT min	1

## DC Adaptor Specifications

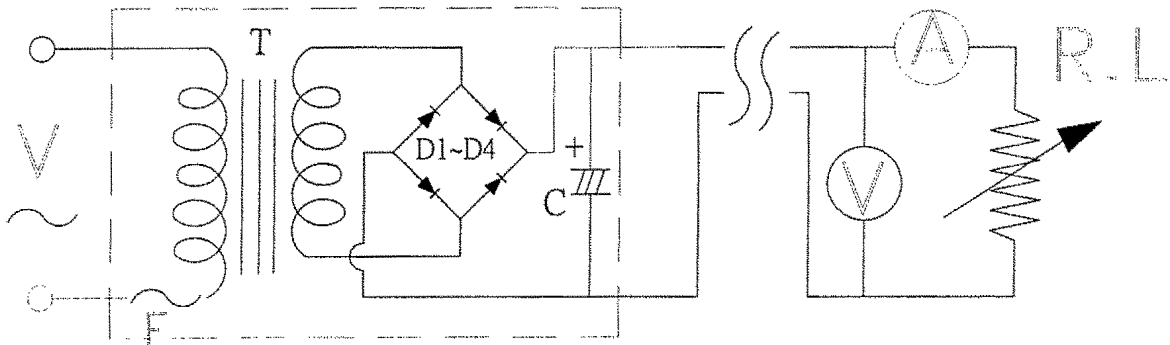
### Construction Drawing and Details of Transformer



Part Name	Material & Type	Spec or Q'ty
1. Core	Silicon Steel	0.5mm
2. Bobbin	Polybutylene Terephthalate 1403G6	0.71mm
	PETP(QMFZ2) FR-530, FR530L	
	Nylon 101L	
3. Primary Winding	Polyurethane Enameled Copper wire	mm turn ohm
4. Primary Outer Winding	Mylar Tape	0.025mmx2T
5. Thermal Fuse	M30 2A 125°C 250V AC	1PC
6. Secondary Winding	Polyurethane Enameled Copper Wire	mm turn ohm
7. Secondary Outer Winding	Mylar Tape	0.025mmx2T

## DC Adaptor Specifications

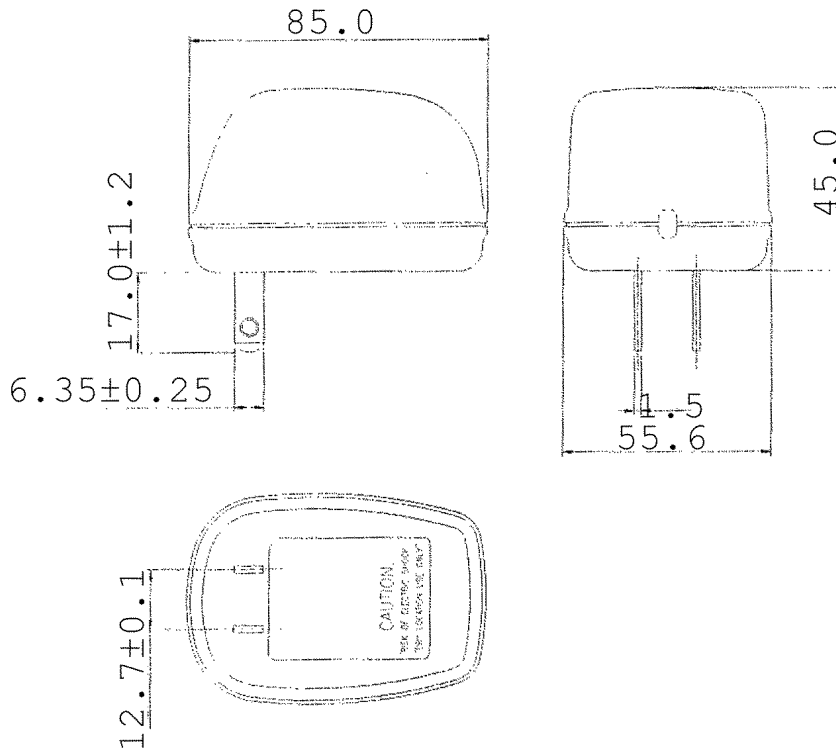
### Circuit Diagram



Symbol	Part Name	Note
T	Transformer	EI-41
D(1~4)	Diode	1A 400-700V IN4004-IN4007
F	Thermal	125°C 2A 250V
C1	Capacitor	2200uF 25V 85°C

## AC Adaptor Specifications

### Appearance Drawing (Unit:mm)





Part No: DPD120080-P1P-TK

Description: Power Supply

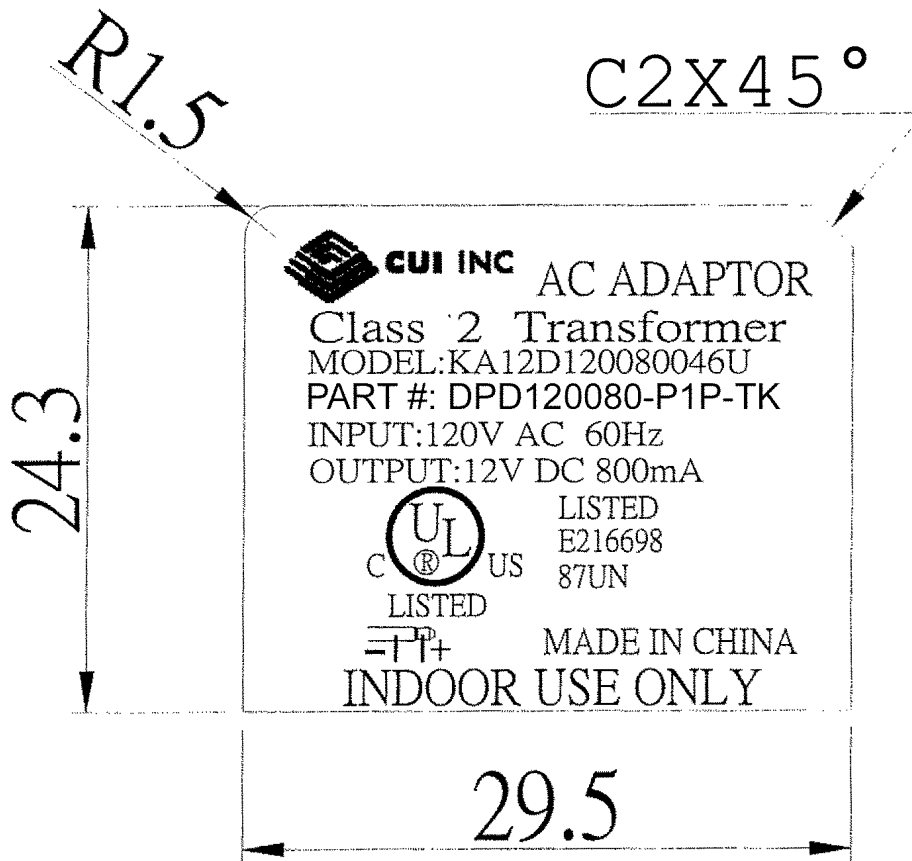
Date: 8/6/04

Unit: mm

Page No: 6 of 6

## DC Adaptor Specifications

### Dimension of Nameplate (Unit:mm)



Material: Polyester Film

T: 0.25mm