

Excellent Integrated System Limited

Stocking Distributor

Click to view price, real time Inventory, Delivery & Lifecycle Information:

[KEMET](#)
[T520D107M010ZTE055](#)

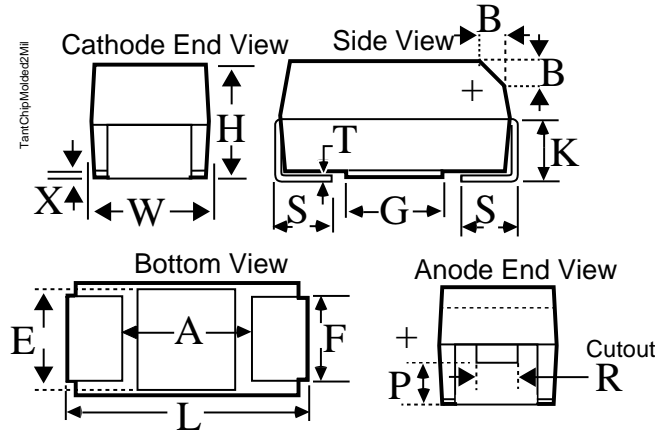
For any questions, you can email us directly:

sales@integrated-circuit.com

B76010D1079M055

aka T520D107M010ZTE055

Capacitor, tantalum, 100 uF, 7343, +/-20% Tol, 10V@85C



Cutout at KEMET's option (either end);
 see note about P and R dimensions and cutout.

Dimensions (mm)

Specifications

ID	Dimension	Tolerance
L	7.3	+/-0.3
W	4.3	+/-0.3
H	2.8	+/-0.3
K	1.5	+/-0.2
F	2.4	+/-0.1
S	1.3	+/-0.3
B	0.5	+/-0.15
X	0.1	ref
P	0.9	ref
R	1	ref
T	0.13	ref
A	3.8	ref
G	3.5	ref
E	3.5	ref

Manufacturer:	KEMET
Capacitance:	100 uF
Voltage DC @ 85C:	10V
Voltage DC @ 105C:	8V
Tolerance:	+/-20%
Application:	Low ESR
Body Type:	Molded Chip
Temperature Range:	-55/+105C
ESR:	55 mOhm
Footprint:	7343
Termination:	Tin
Leakage Current:	100 uA
Dissipation Factor:	10%
Ripple @ 25C:	1.9 A
Ripple @ 85C:	1.7 A
Ripple @ 105C:	0.8 A
Package Kind:	T&R
Package Quantity:	750
Miscellaneous Electrical:	Closest Kemet Original Series Equivalent: T520D107M010ATE055

Notes:
 -D